



ACCES I/O PRODUCTS INC  
10623 Roselle St., San Diego, CA 92121  
Tel. (619)550-9559 FAX (619)550-7322

---

# **WATCHDOG & RS422/485 SERIAL INTERFACE CARD**

## **MODEL WDG-2S**

## **USER MANUAL**

## **NOTICES**

The information in this document is provided for reference only. ACCES does not assume any liability arising out of the application or use of the information or products described herein. This document may contain or reference information and products protected by copyrights or patents and does not convey any license under the patent rights of ACCES, nor the rights of others.

IBM PC, PC/XT, and PC/AT are registered trademarks of the International Business Machines Corporation.

Printed in USA. Copyright 1995 by ACCES I/O PRODUCTS INC, 10623 Roselle St., San Diego, CA 92121. All rights reserved.

## TABLE OF CONTENTS

INSTALLATION .....	1-1
CD INSTALLATION .....	1-1
3.5-INCH DISKETTE INSTALLATION .....	1-1
DIRECTORIES CREATED ON THE HARD DISK .....	1-2
INSTALLING THE CARD .....	1-5
FUNCTIONAL DESCRIPTION .....	2-1
WATCHDOG .....	2-1
COUNTER/TIMER .....	2-2
STATUS REGISTER .....	2-2
Temperature Monitor .....	2-2
Voltage Monitor .....	2-2
Watchdog Counter/Timer Output State .....	2-3
SERIAL INTERFACES .....	2-3
BLOCK DIAGRAM .....	2-4
OPTION SELECTION .....	3-1
SERIAL PORTS .....	3-1
Termination and Bias .....	3-1
RTS Control .....	3-1
Simplex or Duplex: .....	3-2
Full or Half Duplex .....	3-2
WATCHDOG .....	3-2
COUNTER/TIMER CLOCK FREQUENCY .....	3-2
INTERRUPTS .....	3-3
OPTION SELECTION MAP .....	3-4
ADDRESS SELECTION .....	4-1
ADDRESS ASSIGNMENTS FOR 286/386/486 COMPUTERS .....	4-1
PROGRAMMING .....	5-1
MONITOR FUNCTIONS .....	5-1
CONTROL REGISTER .....	5-1
Mode 0: Pulse on Terminal Count .....	5-2
Mode 1: Retriggerable One-Shot .....	5-2
Mode 2: Rate Generator .....	5-3
Mode 3: Square Wave Generator .....	5-3
Mode 4: Software Triggered Strobe .....	5-3
Mode 5: Hardware Triggered Strobe .....	5-3
STATUS REGISTER .....	5-4
SERIAL I/O .....	5-5
CONNECTOR PIN ASSIGNMENTS .....	6-1
SPECIFICATIONS .....	7-1
WARRANTY .....	8-1
APPLICATION CONSIDERATIONS .....	A-1

# INSTALLATION

The software provided with this card is contained on either one CD or multiple diskettes and must be installed onto your hard disk prior to use. To do this, perform the following steps as appropriate for your software format and operating system. Substitute the appropriate drive letter for your CD-ROM or disk drive where you see **[D]:** or **[A]:** respectively in the examples below.

## CD INSTALLATION

### DOS/WIN3.x

1. Place the CD into your CD-ROM drive.
2. Type **[D]:****[Enter]** to change the active drive to the CD-ROM drive.
3. Type **[I][N][S][T][A][L][L]****[Enter]** to run the install program.
4. Follow the on-screen prompts to install the software for this card.

### WIN95/98/NT

1. Place the CD into your CD-ROM drive.
2. The CD should automatically run the install program after 30 seconds. If the install program does not run, click START | RUN and type **[D]:[I][N][S][T][A][L][L]**, click OK or press **[Enter]**.
3. Follow the on-screen prompts to install the software for this card.
4. Click the "Go to ACCES Web" button to check for software updates.

## 3.5-INCH DISKETTE INSTALLATION

As with any software package, you should make backup copies for everyday use and store your original master diskettes in a safe location. The easiest way to make a backup copy is to use the DOS DISKCOPY utility.

In a single-drive system, the command is:

```
[D][I][S][K][C][O][P][Y] [A]: [A]:[Enter]
```

You will need to swap disks as requested by the system.

In a two-disk system, the command is:

```
[D][I][S][K][C][O][P][Y] [A]: [B]:[Enter]
```

This will copy the contents of the master disk in drive A to the backup disk in drive B.

To copy the files on the master diskette to your hard disk, perform the following steps.

1. Place the master diskette into a floppy drive
2. Change the active drive to the drive that has the diskette installed. For example, if the diskette is in drive A, type `A:Enter`.
3. Type `INSTALLEnter` and follow the on-screen prompts.

## DIRECTORIES CREATED ON THE HARD DISK

The installation process will create several directories on your hard disk. If you accept the installation defaults, the following structure will exist.

[CARDNAME]      Root or base directory containing the SETUP.EXE setup program used to help you configure jumpers and calibrate the card.

**DOS\PSAMPLES:** A subdirectory of [CARDNAME] that contains Pascal samples.

**DOS\CSAMPLES:** A subdirectory of [CARDNAME] that contains "C" samples.

**WIN32\language**      Subdirectories containing samples for Win95/98 and NT.

WinRisc.exe: A Windows dumb-terminal type communication program designed for RS422/485 operation. Used primarily with REMOTE ACCES Data Acquisition Pods and our RS422/485 serial communication product line. Can be used to say hello to an installed modem.

**ACCES32:** This directory contains the Windows 95/98/NT driver used to provide access to the hardware registers when writing 32-bit Windows software. Several samples are provided in a variety of languages to demonstrate how to use this driver. The DLL provides four functions (InPortB, OutPortB, InPort, and OutPort) to access the hardware.

This directory also contains the device driver for Windows NT, ACCESNT.SYS. This device driver provides register-level hardware access in Windows NT. Two methods of using the driver are available, through ACCES32.DLL (recommended) and through the DeviceIOControl handles provided by ACCESNT.SYS (slightly faster).

**SAMPLES:** Samples for using ACCES32.DLL are provided in this directory. Using this DLL not only makes the hardware programming easier (MUCH easier), but also one source file can be used for both Windows

95/98 and WindowsNT. One executable can run under both operating systems and still have full access to the hardware registers. The DLL is used exactly like any other DLL, so it is compatible with any language capable of using 32-bit DLLs. Consult the manuals provided with your language's compiler for information on using DLLs in your specific environment.

**VBACCES:** This directory contains sixteen-bit DLL drivers for use with VisualBASIC 3.0 and Windows 3.1 only. These drivers provide four functions, similar to the ACCES32.DLL. However, this DLL is only compatible with 16-bit executables. Migration from 16-bit to 32-bit is simplified because of the similarity between VBACCES and ACCES32.

**PCI:** This directory contains PCI-bus specific programs and information. If you are not using an ACCES PCI card, this directory will not be installed.

**SOURCE:** A utility program is provided with source code you can use to determine allocated resources at run-time from your own programs in DOS.

**PCIFind.exe** A utility for DOS and Windows to determine what base address and IRQ are allocated to installed PCI cards. This program runs two versions, depending on the operating system. Windows 95/98/NT displays a GUI interface, and modifies the registry. When run from DOS or Windows3.x, a text interface is used. For information about the format of the registry key, consult the card-specific samples provided with the hardware. In Windows NT, NTioPCI.SYS runs each time the computer is booted, thereby refreshing the registry as PCI hardware is added or removed. In Windows 95/98/NT PCIFind.EXE places itself in the boot-sequence of the OS to refresh the registry on each power-up.

This program also provides some COM configuration when used with PCI COM ports. Specifically, it will configure compatible COM cards for IRQ sharing and multiple port issues.

**WIN32IRQ:** This directory provides a generic interface for IRQ handling in Windows 95/98/NT. Source code is provided for the driver, greatly

simplifying the creation of custom drivers for specific needs. Samples are provided to demonstrate the use of the generic driver. Note that the use of IRQs in near-real-time data acquisition programs requires multi-threaded application programming techniques and must be considered an intermediate to advanced programming topic. Delphi, C++ Builder, and Visual C++ samples are provided.

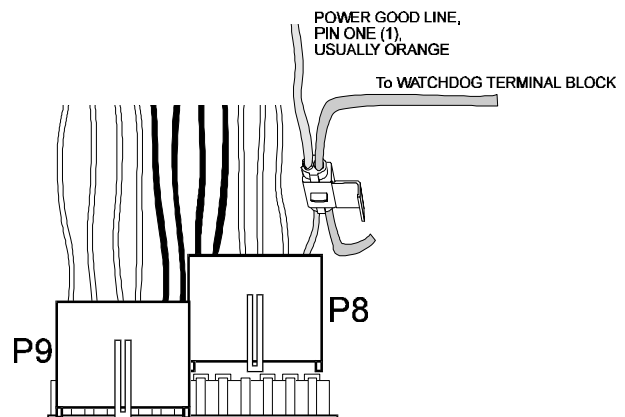
- Findbase.exe      DOS utility to determine an available base address for ISA bus , non-Plug-n-Play cards. Run this program once, before the hardware is installed in the computer, to determine an available address to give the card. Once the address has been determined, run the setup program provided with the hardware to see instructions on setting the address switch and various option selections.
- Poly.exe            A generic utility to convert a table of data into an  $n^{\text{th}}$  order polynomial. Useful for calculating linearization polynomial coefficients for thermocouples and other non-linear sensors.
- Risc.bat            A batch file demonstrating the command line parameters of RISCTerm.exe.
- RISCTerm.exe      A dumb-terminal type communication program designed for RS422/485 operation. Used primarily with REMOTE ACCES Data Acquisition Pods and our RS422/485 serial communication product line. Can be used to say hello to an installed modem. RISCTerm stands for Really Incredibly Simple Communications TERMinal.

## INSTALLING THE CARD

Before installing the WDG-2S card, carefully read the OPTION SELECTION and ADDRESS SELECTION sections of this manual and configure the card according to your requirements. Be especially careful with Address Selection. If the address of two installed functions overlap, you will experience unpredictable computer behavior. To install the card:

1. Remove power from the computer.
2. Remove the computer cover.
3. Remove the blank I/O backplate.
4. Install jumpers for selected options. See OPTION SELECTION.
5. Select base addresses for the Serial Interface and for the Watchdog and Temperature Alarm functions. See ADDRESS SELECTION.
6. Install the card in an I/O expansion slot. *Make sure that the card mounting bracket is properly screwed into place and that there is a positive chassis ground.*
7. Install the "Reset" wire from TB1-10 to the "Power Good" signal on the power supply connector J8, pin 1 using the clamp provided or to the active terminal of the Reset switch.

After inserting the power-good line into the clamp, compress the metal bar with pliers and close the protective cover.



8. Plug in the RS422/485 communications connectors and secure them with the mounting screws.
9. Inspect for proper fit of the card and connectors and tighten screws.
10. Turn the computer ON and observe the LED's on the cards . The LED's will blink when there is activity on the communication lines.
11. If everything checks good, replace the computer cover.



To ensure that there is minimum susceptibility to EMI and minimum radiation, it is important that there be a positive chassis ground. Also, proper EMI cabling techniques (cable connect to chassis ground at the I/O connector, twisted-pair wiring, and, in extreme cases, ferrite level of EMI protection) must be used for input/output wiring.

CE-marked versions of WDG-2S meet the requirements of EN50081-1:1992 (Emissions), EN50082-1:1992 (Immunity), and EN60950:1992 (Safety).

## FUNCTIONAL DESCRIPTION

This multifunction card contains a watchdog timer, two RS422/485 serial communications ports, and an internal temperature monitor and computer voltage monitor. This is a full-length card that installs in "long" expansion slots of IBM PC/XT/AT and compatible computers. The following paragraphs describe functions provided.

### WATCHDOG

It's a fact of life that computers can fail. If a computer fails it can cause catastrophic damage. There are two methods to reduce risk of computer failure; (a) redundancy and (b) a watchdog circuit. Neither method offers 100 percent assurance but both of these methods reduce risk or consequences of failure. Redundancy, a duplication of computer circuitry, is very expensive. On the other hand, ACCES' Watchdog card offers excellent protection from temporary malfunctions at very low cost.

An application program must communicate with the watchdog circuit at prescribed intervals. If this communication ("prompt") is missed, the Watchdog will initiate a computer reset. This restarts the computer from the beginning of the program. If the failure was temporary, proper operation is resumed. If, however, the failure is persistent, the Watchdog will continuously reset the computer. The more frequently the computer is prompted (and shorter Watchdog time selected), the less time a faulty computer has to cause damage.

The method used by the WDG-2S card to determine loss of computer function is as follows:

A counter/timer has a number greater than zero set into it by your application program.

This counter/timer counts down toward zero at a 225 Hz rate.

As long as the computer is functioning properly, the number in the counter/timer is periodically re-entered by your application program before the counter/timer reaches zero.

If this software reset of the timer/counter fails to occur, the timer/counter reaches zero and a hardware reset of the computer is attempted.

Implementation of this watchdog procedure can be accomplished by your application program, by AUTOEXEC.BAT, or by other appropriate software.

A type 8254 counter/timer chip is used in the Watchdog circuit. The clock source for this chip is 225 HZ derived from a crystal oscillator on the card and is independent of the computer clock. The watchdog time-out is software programmable from 5 mSec to 291 seconds.

The output of the watchdog circuit is via Form C relay contacts at pins 1 through 9 of connector J3. Pins 1, 6, and 7 connect to the normally-closed contacts, pins 2, 4, and 8 connect to the center arms and pins 3, 5, and 9 connect to the normally-open contacts. At initialization, the relays are forced into the deenergized state by the /OUT1 of the UART of COM-A. When it is desired to activate the watchdog, this /OUT1 signal is programmed low. When the watchdog function is activated, the relays are controlled by the output of Counter 2 of the 8254 counter/timer chip.

The address for the Watchdog circuit is completely independent of the Serial Communication ports addresses. It is DIP switch selectable anywhere within the I/O address range 000 to 3FF hex.

## **COUNTER/TIMER**

The 8254 counter/timer chip contains three 16-bit counters. Counter/Timers 1 and 2 are used by the Watchdog circuit. If timeout periods of 25 milliseconds or greater are desired, then counter/timer 2 is the only one used and placement of a jumper applies 225 Hz pulses to that counter. If timeout periods of less than 25 milliseconds are desired, then you can place a jumper that connects the output of counter/timer 1 to counter/timer 2 and a DIP switch permits selection of crystal-controlled clock frequencies of 3.6 KHz or greater.

## **STATUS REGISTER**

An ambient-temperature sensing circuit and a voltage monitor circuit are included on the card. Outputs of these circuits as well as watchdog and relay-state functions are provided by a read-only Status Register. (See page 5-4 in the Programming section of this manual.) If any of the items monitored exceeds preset limits, data are loaded into the Status Register and an Interrupt can be generated.

### **Temperature Monitor**

The temperature monitor circuit compares the output of an LM334 temperature sensor with a preset DC voltage level. The output of the comparator circuit can be read at bit 0 of the Status Register. A "1" in that bit position indicates that temperature is 60° C or less and a "0" at that bit position indicates that the temperature is above 60° C.

There is hysteresis in the sensor. The trip point from "1" to "0" is approximately 60° C while the change from "0" to "1" occurs at about 56° C.

### **Voltage Monitor**

The four computer power supplies (+5V, -5V, +12V, and -12V) are monitored. Three data bits in the Status Register provide information. If those voltages are within tolerance, the state of those three data bits so signifies. If one or more is more than  $\pm 7\%$  outside of their nominal values, then two or more of those three bits indicate that plus also indicates whether the out-of-tolerance voltage(s) is high or low.

## Watchdog Counter/Timer Output State

Two bits of the Status Register indicate the state of the counter/timer output and provide a readback of the relays respectively. This is useful at computer initialization because the watchdog function can be tested without actually changing the state of the relays.

## SERIAL INTERFACES

The Serial Interface functions of the WDG-2S card, COM-A and COM-B, can be used for either RS422 communications or RS485 communications. (The RS485 specification allows multiple transmitters and receivers to communicate over a two-wire "party line" bus.) Opto-isolators are incorporated on the card to provide isolation from common mode voltage that is present on the Tx, Rx, RTS, and CTS communications lines.

Type 16550 UART's are used as the Asynchronous Communication Element (ACE). Use of the same ACE as used in IBM original equipment makes the cards 100 percent compatible with existing programs when the base address is set as either COM-1 or COM-2. However, use of the Serial Interface is not restricted to COM-1 or COM-2 only. Different addresses can be selected anywhere within the I/O address range 100-3FF hex.

An on-board crystal oscillator permits precise software selection of baud rate from 50 to 56000.

The output transceiver used, the new generation type 75176, is capable of driving extremely long communication lines at high baud rates. It can drive 60 mA on balanced lines and can receive input signals as low as 200 mV amplitude superimposed on common mode noise of maximum -7V/+12V. In case of communication conflict, the transceivers feature thermal shutdown.

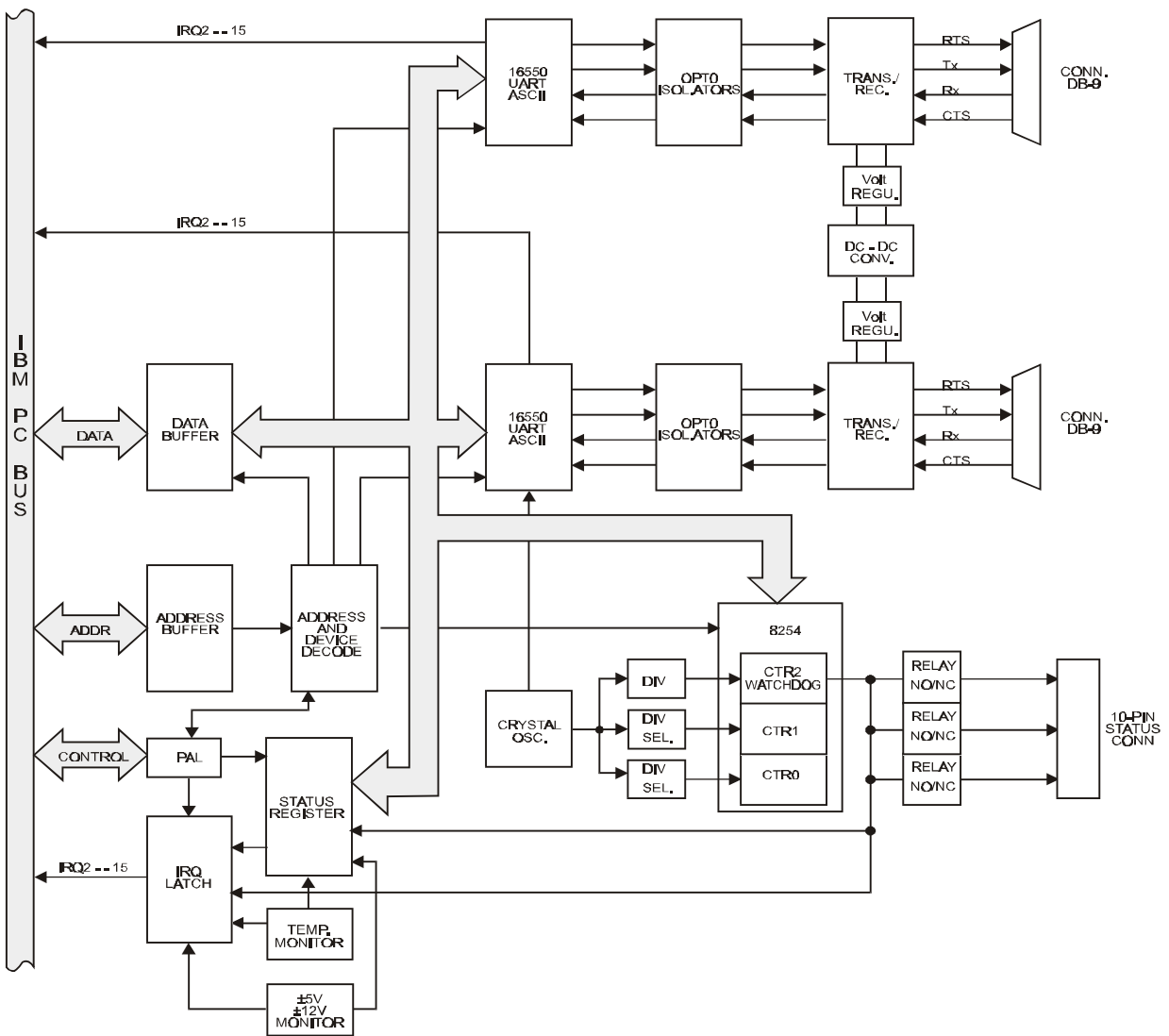
The communication lines are loaded at the receiver and biased at the transmitter. Also, an on-board DC-DC converter provides isolated power to the transceiver and opto-isolators are provided in the serial I/O lines.

Two LED indicators are provided in each serial Interface circuit. These LEDs blink to indicate activity on the transmitting and receiving lines and are useful for problem diagnosis.

In addition to dual, differential Transmit and Receive lines, single-ended, buffered RTS and CTS lines are provided on the I/O connector. The RTS line can be used to control the Transmitter and Receiver. The CTS line can be used to check for proper installation of the communication cable. To check for proper cable connection, introduce +5VDC to the CTS line on the cable side of the connector. Then read the CTS bit by software. Signal ground and +5 VDC are available at the I/O connector.

Full duplex, half duplex, or simplex configuration can be selected by jumper options.

# BLOCK DIAGRAM



## OPTION SELECTION

Refer to the BLOCK DIAGRAM on the previous page and the OPTION SELECTION MAP following when reading this section of the manual. Card operation is determined by jumper installation as described in the following paragraphs.

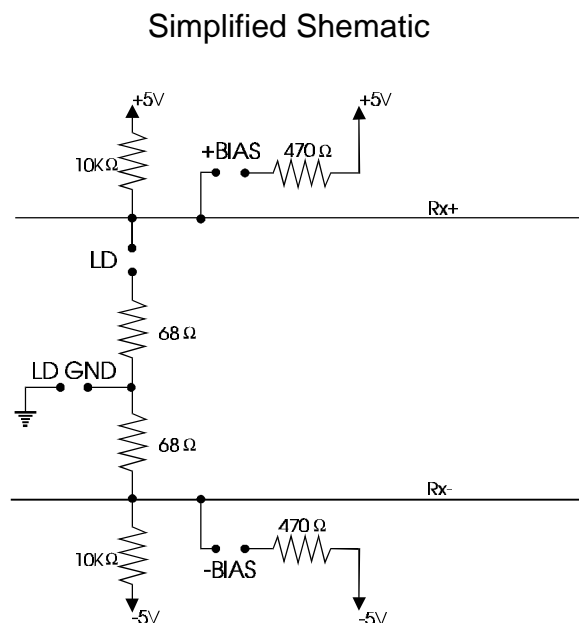
### SERIAL PORTS

Operation of the serial ports can be controlled by placement of jumpers on the card. Proper termination and biasing, RTS control, CTS control, Simplex/Duplex operation, and Full/Half Duplex operation can be set up using these jumpers.

**CTS Control:** *Serial communications will not operate without this signal.* The function of the CTS jumper is to provide the signal when it is not externally supplied. If you prefer, you can omit this jumper and install a jumper between CTS (pin 5) and +5VDC (pin 9) on the mating D connectors. This jumper in the mating connector(s) provides a handy diagnostic tool because the card will not operate unless the mating connector is properly installed.

**Termination and Bias:** A transmission line should be terminated at the receiving end in its characteristic impedance. Installing a jumper at the locations labeled LD applies a 136-ohm load across the input for RS422 mode and across the transmit/receive input/output for RS485 operation. When noise is a potential problem on long lines, the terminating resistance should be divided and its center point grounded to help reduce noise voltage pickup. To accomplish this, install two jumpers at the positions marked LD GND for 68-ohm termination resistance on the positive and negative branches of the receiving lines.

To provide bias in RS485 mode, install two jumpers at the locations marked +BIAS and -BIAS (adjacent to I/O connectors J1 and J2). This provides a balancing load between the RX+ and RX- lines. *Note: Install these BIAS jumpers only if the WDG-2S port is the only port on the multiple-port line to supply bias.*



**RTS Control:** For RS485 operation, installing a jumper at the location marked RTS allows the state of the RTS line to be controlled by the UART. Without this jumper, the RTS signal is high indicating that the port may start a transmission at any time.

**Simplex or Duplex:** The receivers can be set in either Simplex or Duplex by installing jumpers marked SX or DX respectively. In the Duplex mode, the receiver is always enabled and the echo of the port's transmission is fed back to the UART receiver. In the Simplex mode, the receiver is always enabled.

Connections for Simplex (transmit only or receive only) are:

Receive: DX and DX jumpers, connector pins 1 and 2.

Transmit: SX and FDX, connector pins 6 and 7.

**Full or Half Duplex:** Either Full or Half Duplex can be selected by installing jumpers at the locations marked FDX or HDX respectively. Full Duplex allows simultaneous bi-directional communications and is selected by installing the FDX jumper. Half Duplex allows bi-directional transmitter and receiver operation but only one at a time. Proper selection depends on the wire connections used to connect the two serial ports.

RS422 operation requires a jumper at FDX and RS485 operation requires a jumper at HDX.

Connections for Half Duplex (transmit and receive taking turns) and Full Duplex (transmit and receive at the same time) are as follows:

<u>MODE</u>	<u>JUMPERS</u>	<u>CardA</u>	<u>CardB</u>
Half Duplex 2-wire with local echo	DX-HDX-RTS	1 . . . . . 2 2 . . . . . 1	
Half Duplex 2-wire without local echo	SX-HDX-RTS	1 . . . . . 2 2 . . . . . 1	
Full Duplex 4-wire without local echo	DX-FDX	1 . . . . . 2 2 . . . . . 1 6 . . . . . 7 7 . . . . . 6	

## WATCHDOG

If an inverted output from the watchdog circuit (i.e., held high) is desired, install a jumper labeled REVERSE CTR2. The location for that jumper is in the lower-left portion of the card.

The Watchdog circuit can be disabled by installing a jumper at the location marked WDOG.

## COUNTER/TIMER CLOCK FREQUENCY

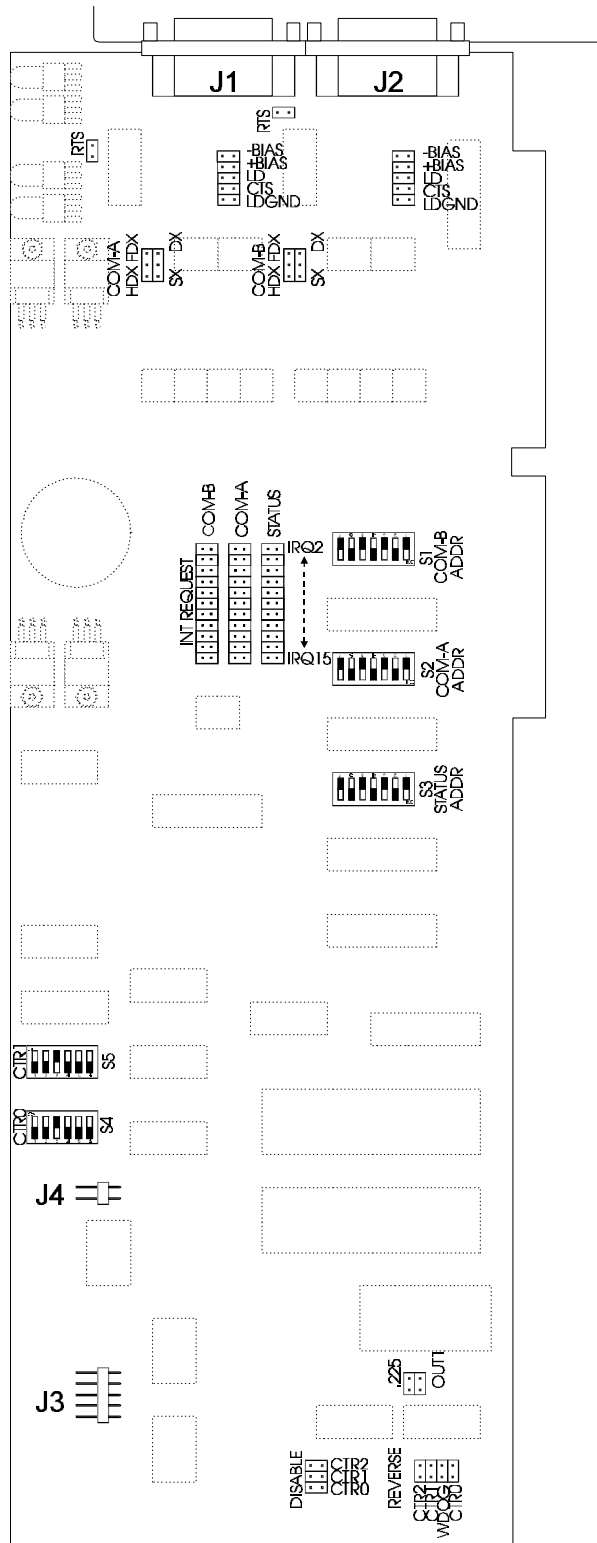
The clock frequency applied to counter/timers 0 and 1 can be selected by DIP switches S4 and S3 respectively. You can select 0.225, 3.6, 28.8, 230, or 1843 KHz.

## INTERRUPTS

Interrupts from the Status Monitor circuit and/or the Serial Interfaces are enabled by installing jumpers at locations marked IRQ2, 3, 4, 5, 6, 7, 10, 11, 12, 14, and 15. Status interrupts are selected at the jumper block labelled STATUS. Serial Communication interrupts are selected at the adjacent jumper blocks labeled COM-A and COM-B.



## WDG-2S OPTION SELECTION MAP



### SWITCHES

S1=COM-B ADDRESS SELECTION  
 S2=COM-A ADDRESS SELECTION  
 S3=STATUS/WDOG ADDRESS SELECTION  
 S4=CTR0 INPUT FREQUENCY SELECT  
 S5=CTR1 INPUT FREQUENCY SELECT

### JUMPERS

DISABLE:  
 CTR0,CTR1,CTR2=DISABLE OUTPUT

REVERSE:  
 CTR2,CTR1,WDOG,CTR0=INVERT OUTPUT

INT REQUEST:  
 JP1=COM-B  
 JP2=COM-A  
 JP21=STATUS

RS422/485:  
 FDX/HDX=FULL/HALF DUPLEX  
 SX/DX=DUPLEX/SIMPLEX  
 JP5=RTS FOR COM-A  
 JP13=RTS FOR COM-B  
 ±BIAS=BIAS VOLTAGE (RS485)  
 CTS=CLEAR-TO-SEND  
 LD,LDGND=TRANSMISSION LOAD JUMPERS

### CONNECTORS

J1=COM-A DB9 CONNECTOR  
 J2=COM-B DB9 CONNECTOR  
 J3=RELAY OUT (10-PIN)  
 J4=LED OUT (2-PIN)

## ADDRESS SELECTION

The card provides separate base address capabilities for each Serial Interface and for the Status Register. Each Serial Interface requires eight bytes of address space and the Status Register requires an additional five bytes. Accordingly, base addresses for these functions are separated and selected at separate DIP switches labelled COM-A, COM-B, and STATUS ADDR respectively. (See the Option Selection Map on the previous page.)

The switches are marked A3 through A9 and A3 is the least significant bit of the address. The base addresses can be selected anywhere within the I/O address range 000-3FF provided that they do not overlap with other functions. If in doubt, refer to the following table for a list of standard address assignments.

### STANDARD ADDRESS ASSIGNMENTS FOR 286/386/486 COMPUTERS

Hex Range	Usage
000-01F	DMA Controller 1
020-03F	INT Controller 1, Master
040-05F	Timer
060-06F	8042 (Keyboard)
070-07F	Real Time Clock, NMI Mask
080-09F	DMA Page Register
0A0-0BF	INT Controller 2
0C0-0DF	DMA Controller 2
0F0	Clear Math Coprocessor Busy
0F1	Reset Coprocessor
0F8-0FF	Arithmetic Processor
1F0-1F8	Fixed Disk
200-207	Game I/O
278-27F	Parallel Printer Port 2
2F8-2FF	Asynchronous Comm'n (Secondary)
300-31F	Prototype Card
360-36F	Reserved
378-37F	Parallel Printer Port 1
380-38F	SDLC or Binary Synchronous Comm'n 2
3A0-3AF	Binary Synchronous Comm'n 1
3B0-3BF	Monochrome Display/Printer
3C0-3CE	Local Area Network
3D0-3DF	Color/Graphic Monitor
3F0-3F7	Floppy Diskette Controller
3F8-3FF	Asynchronous Comm'n (Primary)

ADDRESS SETUP switch locations are marked A3 through A9. In order to configure the desired address, assign "1" to the OFF position of these switches and assign "0" to the ON position of these switches. These 1's and 0's are a binary representation of the base address. This binary number is then converted to a hexadecimal number.

Switch Label	A9	A8	A7	A6	A5	A4	A3
Addr Line Controlled	A9	A8	A7	A6	A5	A4	A3

For example, as illustrated below, switch selection corresponds to binary 10 1101 1xxx (or hex 2D8). The "xxx" represents address lines A2, A1, and A0 used on the card to select individual registers as described in the PROGRAMMING section of this manual.

Switch Label	A9	A8	A7	A6	A5	A4	A3
Switch Setting	off	on	off	off	on	off	off
Binary Representation	1	0	1	1	0	1	1
Conversion Factors	2	1	8	4	2	1	8
Hex Representation	2		D				8

*Review the Address Selection Table carefully before selecting the card address. If the addresses of two installed functions overlap you will experience unpredictable computer behavior.*

## PROGRAMMING

This section of the manual is divided into two parts; programming for the monitoring functions, and programming for the Serial Interface functions. The program examples provided are intended as a guide rather than working software. ACCES assumes no liability for their use.

### MONITOR FUNCTIONS

The Watchdog and Temperature and Voltage monitor functions of WDG-2S card use five consecutive addresses in I/O space as listed in the following table.

ADDRESS MAP

ADDRESS	READ	WRITE
Base Address	Read Counter 0	Load Counter 0
Base Address +1	Read Counter 1	Load Counter 1
Base Address +2	Read Counter 2	Load Counter 2
Base Address +3	Illegal	Load Control Register
Base Address +4	Read Status Register	Illegal

### CONTROL REGISTER

The Monitor functions include an eight-bit control register at base address + 3. That control register allows software selection and/or control of the function. The format of this register and bit functions are as follows:

D7	D6	D5	D4	D3	D2	D1	D0
SC1	SC0	RL1	RL0	M2	M1	M0	BCD

Functions of the bits are as follows:

**SC1 and SC0:** These bits are used to select counter/timers 0, 1, or 2. SC1 is the most significant bit. The code assignment for bits SC1 and SC0 is:

00 = Select Counter/Timer 0	010 = Select Counter/Timer 2
01 = Select Counter/Timer 1	111 = Read Back Command

**RL1 and RL0:** These bits control reading and loading of the Counter/Timer selected by SC1 and SC0. RL1 is the most significant bit and code assignment is:

- 00 = Counter Latching
- 01 = Read/Load Least significant Byte Only
- 10 = Read/Load Most Significant Byte Only
- 11 = Read/Load Least, Then Most Significant Byte

**BCD:** This bit commands counting modulus; 0= binary, 1= BCD.

**M2, M1, and M0:** These bits control the operating mode of the Counter/Timer selected by SC1 and SC0. Bit assignments and mode commanded are as follows:

M2	M1	M0	MODE
0	0	0	Mode 0: Pulse on Term'l Count
0	0	1	Mode 1: Retrig'ble One-Shot
X	1	0	Mode 2: Rate Generator
X	1	1	Mode 3: Square Wave Generator
1	0	0	Mode 4: Software Trig'd Strobe
1	0	1	Mode 5: Hardware Trig'd strobe

Modes of operation of the type 8254 Counter/Timer chip are described in the following paragraphs to familiarize you with the versatility and power of this device. The following definitions apply for use in describing operation of the 8254 :

**Clock:** A positive pulse into the counter's clock input.

**Trigger:** A rising edge input to the counter's gate input.

**Counter Loading:** Programming of a binary count into the counter.

### **Mode 0: Pulse on Terminal Count**

After the counter is loaded, the output is set low and will remain low until the counter decrements to zero. The output then goes high and remains high until a new count is loaded into the counter. A trigger enables the counter to start decrementing. This mode is commonly used for event counting with Counter #0.

### **Mode 1: Retriggerable One-Shot**

The output goes low on the clock pulse following a trigger to begin the one-shot pulse and goes high when the counter reaches zero. Additional triggers result in reloading the count and starting the cycle over. If a trigger occurs before the counter decrements to zero, a new count is loaded. Thus, this forms a re-triggerable one-shot. In mode 1, a low output pulse is provided with a period equal to the counter count-down time.

## Mode 2: Rate Generator

This mode provides a divide-by-N capability where N is the count loaded into the counter. When triggered, the counter output goes low for one clock period after N counts, reloads the initial count, and the cycle starts over. This mode is periodic, the same sequence is repeated indefinitely until the gate input is brought low.

## Mode 3: Square Wave Generator

This mode operates periodically like mode 2. The output is high for half of the count and low for the other half. If the count is even, then the output is a symmetrical square wave. If the count is odd, then the output is high for  $(N+1)/2$  counts and low for  $(N-1)/2$  counts. Periodic triggering or frequency synthesis are two possible applications for this mode.

## Mode 4: Software Triggered Strobe

This mode sets the output high and, when the count is loaded, the counter begins to count down. When the counter reaches zero, the output will go low for one input period. The counter must be reloaded to repeat the cycle. A low gate input will inhibit the counter.

## Mode 5: Hardware Triggered Strobe

In this mode, the counter will start counting after the rising edge of the trigger input and will go low for one clock period when the terminal count is reached. The counter is retriggerable. The output will not go low until the full count after the rising edge of the trigger.

In order to program the Watchdog circuit, consider the following code:

```

WDBASE% = &H300           'Set watchdog base address to hex300.
OUT WDBASE% + 3, &H90     'Set counter 2 to mode 0,
                           'Read/Load Least Sig. Byte,
                           'Mode 0, binary.
OUT WDBASE +2, 100       'Load Counter 2 Low Byte 100*4.44mSec.
COMBASE% = &H3F8         'Set serial commun'n base address as COM1
MCR% = INP(COMBASE%+4)   'Read modem control register at COMBASE + 4.
OUT COMBASE%+4,MCR% OR 4 'Enable watchdog controlled by bit 2 of modem
                           control register without changing remaining bits.

```

Before the timeout expires, counter 2 must be reloaded:

```

OUT WDBASE + 2, 100       'Reload counter 2 low byte 100*4.44 mSec.

```

## STATUS REGISTER

## Temperature Monitor

To test if the internal computer temperature exceeds the preset level, read bit 0 at the Status Register (Status base address + 4). Bit 0 will be a "0" if temperature is normal and "1" if temperature is excessive.

## Voltage Monitor

To test if one or more of the computer voltages is out of tolerance, read bits 1, 2, and 3 of the Status Register. A "1" at the bit 1 position indicates that the computer power supplies are within  $\pm 7\%$  of their nominal value. A "0" at the bit 1 position indicates that one or more of the power supplies is out of tolerance.

Bit 2 indicates when any of the supplies is too low. A "1" indicates that the power is OK and a "0" indicates that one or more of the power supply outputs is too low. (Note, bit 1 will also be a "0" if voltage level is too low.)

Bit 3 indicates when any of the supplies is too high. A "1" indicates that power is OK and a "0" indicates that one or more of the voltage levels is too high. (Note, bit 1 will also be a "0" if voltage level is too high.)

## Watchdog Functions

Bits 4 and 5 of the Status Register indicate state of the counter/timer output and relay energization state respectively. Bit 4 will represent the true state of that output if the REVERSE WDOG jumper is installed. If that jumper is not installed, the inverted state is read. This bit can be used to test the watchdog function at computer initialization without changing the state of the relays.

Bit 5 is a readback of the relays. Bit 5 is a "0" if the relays are energized and a "1" if the relays are de-energized.

## Bits 6 and 7

These bits are unused and should both be "0" at all times.

## SERIAL I/O

The card contains two serial communications ports. Each serial communications port has its own base address and uses eight bytes of I/O address space. If a base address is set as COM1 or COM2, simply follow standard DOS procedures. If a serial communications port is NOT set as COM1 or COM2, follow the NS16550 chip (ACE) specification.

The following code sample is in BASIC and demonstrates the recommended steps to initialize the NS16550 for normal operation. This sample assumes a base address of 3F8 and the device will be setup for 9600 baud with an 8-bit, no-parity format. The assumed clock frequency is 1.8432 MHz and, thus, a divisor of 12 is required. (The divisor is determined by dividing the clock frequency by 16 then by the baud rate).

```

OUT &H3FC, &H10      'Put into loopback.
OUT &H3FB, &H80      'Select divisor latch.
OUT &H3F8, 12        'Lower half of 9600 baud divisor.
OUT &H3F9, 0         'Upper half of 9600 baud divisor.
OUT &H3F8, 3         'Deselect divisor latch, set 8 bits/1 stop/no parity
TMP = INP(&H3F8)     'Read input port.
FOR TMP = 1 TO 2     'Wait for at least two character times.
NEXT
TMP = INP(&H3F8)     'Read input port a second time.
OUT &H3FC, 1        'Take out of loopback; set "Dir".

```

The following code is a PASCAL version of the preceding BASIC routine.

```

Const ace = $3F8;
var i:integer;
port[ACE+4] := $10;(put in loopback)
port[ACE+3] := $80;(select divisor latch)
port[ACE+0] := 12;(divisor lower byte)
port[ACE+1] := 0;(divisor upper byte)
port[ACE+3] := 3;          (deselect divisor, set 8 bits/1 stop)
i :=port[ACE];            (read input port)
delay(2);                (wait two character times)
i :=port[ACE];            (read input port a second time)
port[ACE+4] := 1;        (take out of loopback and set DTR)

```

When the above steps are completed, the chip is ready to communicate.



## Sample Programs

Two of the programs included on the CD provided with your card are sample communication programs. These are:

### Sample 1.

This program is provided in C, Pascal, and QuickBASIC. It performs a test of the loopback feature of the UART. It requires no external hardware and no interrupts.

### Sample 2.

This program is provided in C only and demonstrates interrupt-driven RS485 operation. The program requires multiple cards in multiple computers. To operate this program requires a minimum of two computers and a 4-wire cable interconnecting them. The cable must connect to Tx<sup>+</sup> and Tx<sup>-</sup> pind from the first terminal to the Rx<sup>+</sup> and Rx<sup>-</sup> pins respectively at the second computer and the Tx<sup>+</sup> and TX<sup>-</sup> pins from the second computer to the Rx<sup>+</sup> and Rx<sup>-</sup> pins at the first computer.

## RS422 Programming

Programming for RS422 use is a simplified version of RS485 communications without the overhead of multiple devices on the same line. RS422 also supports multiple devices but only if one port is limited to transmitting and all other ports are receivers only.

## RS485 Programming

Programming the UART for RS485 communications can be divided into three distinct sections: initialization, reception, and transmission. Initialization deals with option setup on the chip including baud rate selection. Reception deals with incoming-character processing which can be done using polling or interrupts. Transmission deals with the process of sending data out.

Initialization: Initializing the chip requires knowledge of the UART's register set. The first step is to set the baud rate divisor. You do this by first setting the DLAB (Divisor Latch Access Bit) high. This bit is Bit 7 at Base Address +3. In C, the call would look like:

```
outportb(BASEADDR +3, 0x80);
```

You then load the divisor into Base Address +0 (lower byte) and Base Address +1 (higher byte). The following equation defines the relation between baud rate and divisor:

$$\text{desired baud rate} = (\text{crystal frequency}) / 16 * \text{divisor}$$

The standard crystal frequency is 1.8432 MHz. Commonly-used divisors are 12 for 9600 baud, 48 for 2400 baud, and 96 for 1200 baud. In C, the code to set the chip for 9600 baud is:

```
outportb(BASEADDR, 0x0C);  
outportb(BASEADDR +1, 0);
```

The second UART initializing step is to set the Line Control Register at Base Address +3. This register defines word length, stop bits, parity, and the DLAB.

Bits 0 and 1 control word length and allow word lengths from five to eight bits. Bit settings are extracted by subtracting 5 from the desired word length.

Bit 2 determines the number of stop bits. If Bit 2 is set to 0, there will be one stop bit. If Bit 2 is set to 1, there will be two stop bits.

Bits 3 through 6 control parity and break enable. They are not commonly used for communications and should be set to 0's.

Bit 7 is the DLAB. It must be set to 0 after the divisor is loaded or else there will be no communications.

In C, the command to set the UART for an eight-bit word, no parity, one stop is:

```
outportb(BASEADDR +3, 0x03);
```

The third initialization step is to set the MODEM Control Register at Base Address +4. This register controls the functions on some cards. Bit 1 is the Request to Send (RTS) control bit. This bit should be left low until transmission time. Bits 2 and 3 are user-designated outputs. Bit 2 may be ignored on this card. Bit 3 is used to enable interrupts and should be set high if an interrupt-driven receiver is to be used.

The final initialization step is to flush the receiver buffers. You do this with two Reads from the receiver buffer at Base Address +0. When this is done, the UART is ready to use.

Reception: Reception can be handled two ways: polling and interrupt-driven. When polling, reception is accomplished by constantly reading the Line Status Register at Base Address +5. Bit 0 of this register is set high whenever data are available to be read from the chip. A simple polling loop must continuously check this bit and read in data when it becomes available. Polling is not effective at high data rates because the program can't do anything else when it is polling or data could be missed. The following is code fragment that implements a polling loop and uses a value of zero as an end-of-transmission marker:

```
do
{
    while(!(inportb(BASEADDR +5)&1));    /*Wait until data ready*/
    data[i++]=inportb(BASEADDR);
}
while(data[i]!=0                        /* reads the line until null character rec'd*/
```

Interrupt-driven communications should be used whenever possible and is required for high data rates. Writing an interrupt receiver is not much more complex than writing a polled receiver. However, care should be taken when installing or removing your interrupt handler because there is danger of writing the wrong interrupt, or disabling the wrong interrupt, or even turning interrupts off for too long a period.

The handler must first read the Interrupt Identification Register at Base Address +2. If the interrupt is for Received Data Available, the handler then reads the data. If no interrupt is pending, control exits the routine. A sample handler in C is as follows:

```
do
{
    readback = inportb(BASEADDR +2);
    if (readback & 4)    /*Readback will be set to 4 if data are available*/
        data[i++]=inportb(BASEADDR);
}
while (readback!=1);
outportb(0x20,0x20);    /*Write EOI to 8259 Interrupt Controller*/
return;
```

Transmission. RS485 transmission is simple to implement. First, the RTS line should be set high by writing 1 to Bit 1 of the MODEM Control Register at Base Address +4. The RTS line is used to toggle the transceiver from receive mode to transmission mode and vice versa. It is not carried out on the line in RS485 and not used for handshaking.

Similarly, the CTS line is not used in RS485 and should either be enabled by installing the CTS jumper or installing a jumper in the I/O connector as described in the Option Selection section of this manual.

After the above is done, the card is ready to send data. To transmit a string of data, the transmitter must check Bit 5 of the Line Status Register at Base Address +5. That bit is the Transmitter-Holding-Register-Empty flag. If it is high, the transmitter has sent the data. The process of checking the bit until it goes high followed by a write is repeated until no data remains. After all data has been transmitted, the RTS bit should be reset by writing a 0 to

Bit 1 of the MODEM Control Register.

The following C code fragment demonstrates this process:

```
    outportb(BASEADDR +4, inportb(BASEADDR +4)&0x02;    /*Set RTS bit without
                                                         altering states of other
                                                         bits*/

    while(*data);                                     /*While there is data to send*/
    {
    while(!(inportb(BASEADDR +5)&0x20));             /*Wait until transmitter is empty*/
    outportb(BASEADDR, *data);
    data++;
    }
    outportb(BASEADDR +4, inportb(BASEADDR +4)&0xFD;
                                                         /*Reset RTS bit without altering states of other bits*/
```

## CONNECTOR PIN ASSIGNMENTS

The popular 9-pin D-subminiature connector is used to interface to communication lines. The connector is equipped with #4-40 threaded screws to provide strain relief. Connector J1 provides connections to COM-A and connector J2 provides connections to COM-B.

On-board connector J3 provides connections for relay outputs.

Connectors J1 and J2	
Pin	Assignment
1	Receive Line - (RX-)
2	Receive Line + (RX+)
3	+5V Isolated
4	Not Used
5	Isolated Common (Gnd)
6	Transmit Line - (TX-)
7	Transmit Line + (TX+)
8	Clear to Send (CTS)
9	Ready to Send (RTS)

Connector J3	
Pin	Assignment
1	K1 N.C. Contact
2	K1 Center Arm
3	K1 N.O. Contact
4	K2 Center Arm
5	K2 N.O. Contact
6	K2 N.C. Contact
7	K3 N.C. Contact
8	K3 Center Arm
9	K3 N.O. Contact
10	Relay Drive (opt.)

NOTE: For Simplex, Half Duplex, or Full Duplex serial communication, see the Option Selection section of this manual for pin connection information.

## SPECIFICATIONS

### Watchdog Timer

Time-out: Software selectable from 5 mSec to 291 Sec in 5 mSec increments.

Clock: 225 Hz, crystal controlled.

Address: Continuously mappable within 000 to 3FF hex I/O range.

Relay Option: Contacts rated at 250 mA at up to 24VDC.

### Monitor Status

Temperature: Factory preset at 50° C

Computer Voltages: +5, -5, +12, and -12 v

Interrupt Output: Jumper selectable.

Alternate Output: Can be read at base address + 4.

### Serial Interfaces

Multipoint: Compatible with RS422 and RS485 specifications.

Common Mode Voltage: -7V to +12V CMV will not affect operation.

Driver Output Capability: 60 mA maximum.

Receiver Input Sensitivity: Can detect signals as small as +/-200 mV.

Baud Rate: 50 to 9600 baud. (to 56,000 baud optional). Crystal oscillator on board.

Address: Continuously mappable within I/O address range 000-3FF hex.

### Environmental

Operating Temperature Range: 0° to +60° C.

Storage Temperature Range: -50° to +120° C.

Humidity: 10% to 90% RH, non-condensing.

**Power Required:** +5 VDC at 420 mA typical, 500 mA maximum.

**Size:** 13.3 inches long. Requires full size slot.

## **WARRANTY**

Prior to shipment, ACCES equipment is thoroughly inspected and tested to applicable specifications. However, should equipment failure occur, ACCES assures its customers that prompt service and support will be available. All equipment originally manufactured by ACCES which is found to be defective will be repaired or replaced subject to the following considerations.

### **TERMS AND CONDITIONS**

If a unit is suspected of failure, contact ACCES' Customer Service department. Be prepared to give unit model number, serial number, and a description of the failure symptom(s). We may suggest some simple tests to confirm the failure. We will assign a Return Material Authorization (RMA) number which must appear on the outer label of the return package. All units/components should be properly packed for handling and returned with freight prepaid to the ACCES designated Service Center, and will be returned to the customer's/user's site freight prepaid and invoiced.

### **COVERAGE**

First Three Years: Returned unit/part will be repaired and/or replaced at ACCES option with no charge for labor or parts not excluded by warranty. Warranty commences with equipment shipment. Following Years: Throughout your equipment's lifetime, ACCES stands ready to provide on-site or in-plant service at reasonable rates similar to those of other manufacturers in the industry.

### **EQUIPMENT NOT MANUFACTURED BY ACCES**

Equipment provided but not manufactured by ACCES is warranted and will be repaired according to the terms and conditions of the respective equipment manufacturer's warranty.

### **GENERAL**

Under this Warranty, liability of ACCES is limited to replacing, repairing or issuing credit (at ACCES discretion) for any products which are proved to be defective during the warranty period. In no case is ACCES liable for consequential or special damage arising from use or misuse of our product. The customer is responsible for all charges caused by modifications or additions to ACCES equipment not approved in writing by ACCES or, if in ACCES opinion the equipment has been subjected to abnormal use. "Abnormal use" for purposes of this warranty is defined as any use to which the equipment is exposed other than that use specified or intended as evidenced by purchase or sales representation. Other than the above, no other warranty, expressed or implied, shall apply to any and all such equipment furnished or sold by ACCES.

## APPENDIX A

### APPLICATION CONSIDERATIONS

#### INTRODUCTION

Working with RS-422 and RS-485 devices is not much different from working with standard RS-232 serial devices and these two standards overcome deficiencies in the RS-232 standard. First, the cable length between two RS-232 devices must be short; less than 50 feet at 9600 baud. Second, many RS-232 errors are the result of noise induced on the cables. The RS-422 standard permits cable lengths up to 5000 feet and, because it operates in the differential mode, it is more immune to induced noise.

Connections between two RS-422 devices (with CTS ignored) should be as follows:

Device #1		Device #2	
Signal	Pin No.	Signal	Pin No.
Gnd	7	Gnd	7
TX <sup>+</sup>	24	RX <sup>+</sup>	12
TX <sup>-</sup>	25	RX <sup>-</sup>	13
RX <sup>+</sup>	12	TX <sup>+</sup>	24
RX <sup>-</sup>	13	TX <sup>-</sup>	25

A third deficiency of RS-232 is that more than two devices cannot share the same cable. This is also true for RS-422 *but RS-485 offers all the benefits of RS-422 plus allows up to 32 devices to share the same twisted pairs*. An exception to the foregoing is that multiple RS-422 devices can share a single cable if only one will talk and the others will all receive.

#### BALANCED DIFFERENTIAL SIGNALS

The reason that RS-422 and RS-485 devices can drive longer lines with more noise immunity than RS-232 devices is that a balanced differential drive method is used. In a balanced differential system, the voltage produced by the driver appears across a pair of wires. A balanced line driver will produce a differential voltage from  $\pm 2$  to  $\pm 6$  volts across its output terminals. A balanced line driver can also have an input “enable” signal that connects the driver to its output terminals. If the “enable signal is OFF, the driver is disconnected from the transmission line. This disconnected or disabled condition is usually referred to as the “tristate” condition and represents a high impedance. RS-485 drivers must have this control capability. RS-422 drivers may have this control but it is not always required.

A balanced differential line receiver senses the voltage state of the transmission line across the two signal input lines. If the differential input voltage is greater than +200 mV, the receiver will provide a specific logic state on its output. If the differential voltage input



is less than -200 mV, the receiver will provide the opposite logic state on its output. A maximum operating voltage range is from +6V to -6V allows for voltage attenuation that can occur on long transmission cables.

A maximum common mode voltage rating of  $\pm 7V$  provides good noise immunity from voltages induced on the twisted pair lines. The signal ground line connection is necessary in order to keep the common mode voltage within that range. The circuit may operate without the ground connection but may not be reliable.

### RS-422 SPECIFICATION SUMMARY

Parameter	Conditions	Min.	Max.
Driver Output Voltage (unloaded)		4V -4V	6V -6V
Driver Output Voltage (loaded)	LD and LDGND jumpers in	2V -2V	
Driver Output Resistance			50 $\Omega$
Driver Output Short-Circuit Current			$\pm 150$ mA
Driver Output Rise Time			10% unit interval
Receiver Sensitivity			$\pm 200$ mV
Receiver Common Mode Voltage Range			$\pm 7V$
Receiver Input Resistance			4K $\Omega$

To prevent signal reflections in the cable and to improve noise rejection in both the RS-422 and RS-485 mode, the receiver end of the cable should be terminated with a resistance equal to the characteristic impedance of the cable. (An exception to this is the case where the line is driven by an RS-422 driver that is never "tristated" or disconnected from the line. In this case, the driver provides a low internal impedance that terminates the line at that end.)

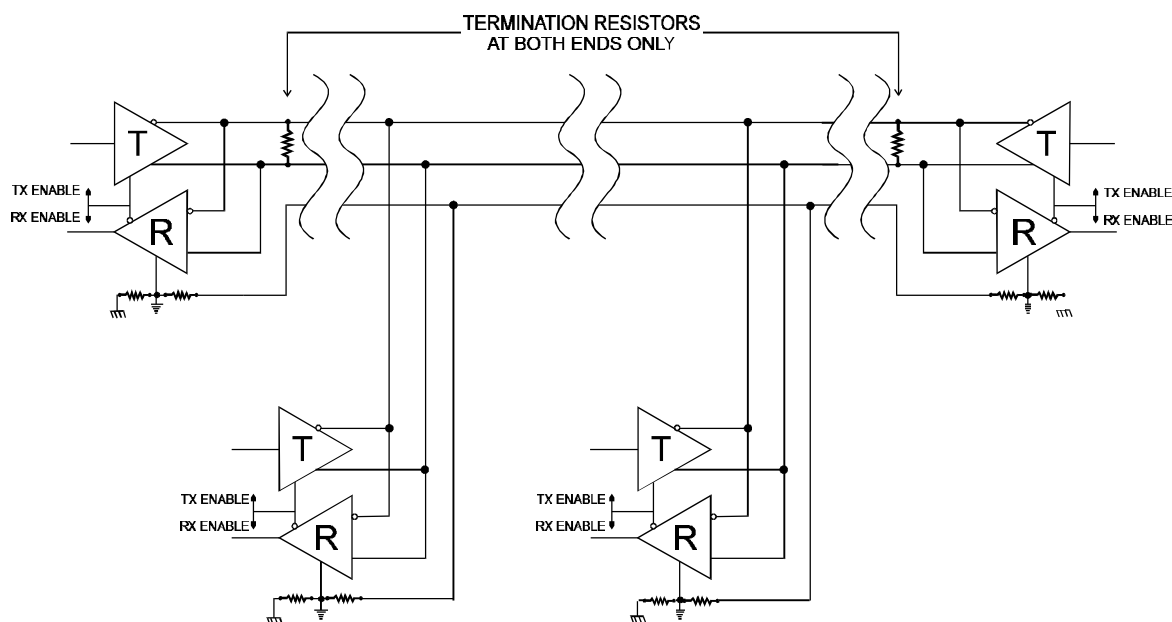
### NOTE

You do not have to add a terminator resistor to your cables when you use the wdg-2S card. Termination resistors for the RX<sup>+</sup> and RX<sup>-</sup> lines are provided on the card and are placed in the circuit when you install the LD and LDGND jumpers. Moreover, installing the +BIAS and -BIAS jumpers properly biases these lines. (See the Option Selection section of this manual.)

### RS-485 DATA TRANSMISSION

The RS-485 Standard allows a balanced transmission line to be shared in a party-line mode. As many as 32 driver/receiver pairs can share a two-wire party line network. Many characteristics of the drivers and receivers are the same as in the RS-422 Standard. One difference is that the common mode voltage limit is extended and is +12V to -7V. Since any driver can be disconnected (or tristated) from the line, it must withstand this common mode voltage range while in the tristate condition.

The following illustration shows a typical multidrop or party line network. Note that the transmission line is terminated on both ends of the line but not at drop points in the middle of the line.



Typical RS-485 Two-Wire Multidrop Network

### RS-485 Four Wire Multidrop Network

An RS-485 network can also be connected in a four-wire mode. In a four-wire network it's necessary that one node be a master node and all others be slaves. The network is connected so that the master communicates to all slaves and all slaves communicate only with the master. This has advantages in equipment that uses mixed protocol communications. Since the slave nodes never listen to another slave's response to the master, a slave node cannot reply incorrectly.