

NEWNEX PROPRIETARY

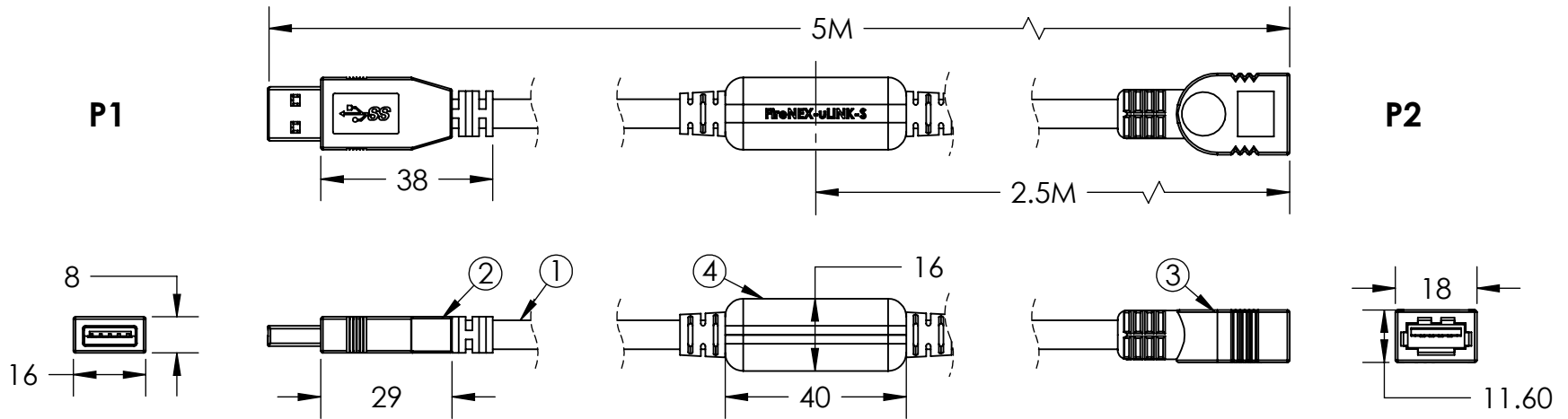
THIS DOCUMENT AND THE DATA DISCLOSED HEREIN OR WITHIN IS NOT TO BE REPRODUCED, USED, OR DISCLOSED IN WHOLE OR PART TO ANYONE WITHOUT THE WRITTEN PERMISSION OF NEWNEX

COMPANY NAME

CUSTOMER SIGNATURE

DATE

COMMENTS:



WIRING STRUCTURE		
P1	SINGAL	P2
1	PWR	1
2	D-	2
3	D+	3
4	GND	4
5	SDP1-	5
6	SDP1+	6
7	DRAIN	7
8	SDP2-	8
9	SDP2+	9
SHELL	BRAID	SHELL

Notes:

1. Cable: USB 3.0 Black PVC Jacket.
2. Connector: USB 3.0 A Male.
3. Connector: USB 3.0 A Female.
4. Repeater Unit

- *100% OPEN, SHORT, MISWIRE TESTING
- *RoHS compliant product
- *Both shell clam and copper foil have 360 degree contact with braiding

Newnex Technology Corp.



UNLESS OTHERWISE SPECIFIED DIMENSIONS ARE IN MILLIMETERS TOLERANCES ARE:		PROJ	TITLE: FireNEX-uLINK USB 3.0 Active Repeater Cable, A Male to A Female, 5 Meters, Slim Repeater, Black.
FRACTIONS: NA	DECIMALS: XX ± 0.25	SCALE: 2:3	REV: A
		DATE: 4/13/2017	DRAWN BY: XW
			APPROVED BY: ZL
PART NUMBER: FIRENEXAMAF-5M		CHECKED BY:	SHEET 1 OF 1

REVISION COMMENTS:
Drawing generated