



## READ BEFORE USE

- Thank you for purchasing this Evokor towel warmer.
- Please read the instructions carefully before attempting to install, operate or service the product.
- Please retain this booklet for future reference.
- Pictures for reference only, subject to our available products

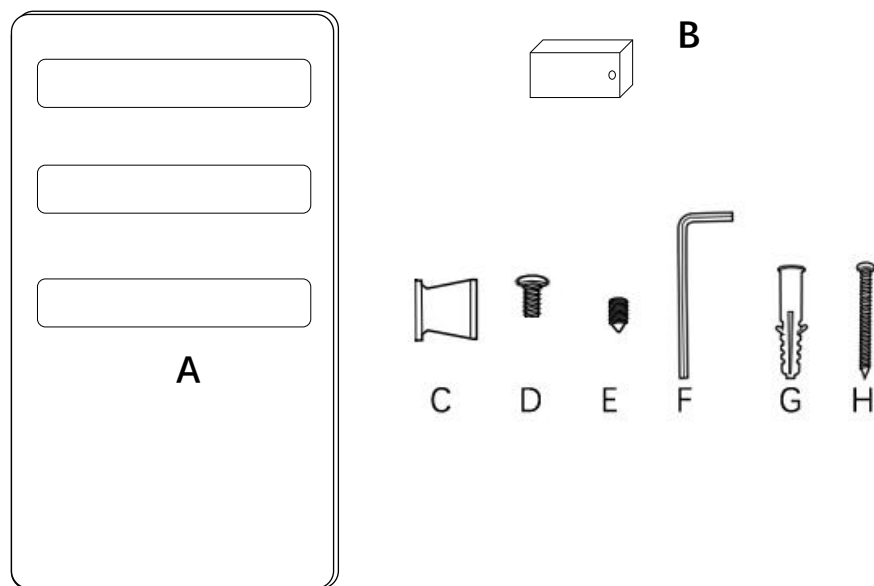
The radiant heat gently warms your towel or bathrobe, allowing you to wrap yourself in luxurious comfort as you step out of the bath or shower.

Included in this document are all necessary installation and operating instructions.

If you encounter any difficulties while installing your towel warmer, installation support is available by email [evokor@outlook.com](mailto:evokor@outlook.com).

If a return is necessary, please use original packaging.

## SCOPE OF DELIVERY



A: Towel Warmer ×1

C: Alloy ingot ×4

E: Screw ×4 (6mm, hex)

G: Anchor ×4

B: Bracket ×4

D: Screw ×4 (For connecting A&B)

F: Wrench ×1 (hex key)

H: Screw ×4 (For tightening C)

## CONTENTS

1 | Safety Introduction

2 | Cleaning Information

3 | Installation

4 | Product Information

5 | Operation

6 | Warranty

## 1 | SAFETY INTRODUCTION

- Never stand, sit on, or hang on the towel warmer unit.
- Never allow children to play on or with the towel warmer.
- Make sure that the electrical circuit breaker is shut off at the main panel before wiring or servicing your towel warmer.
- The towel warmer must be properly grounded.
- All wiring must be in accordance with the National Electrical Code (NEC) and Canadian Electrical Code (CEC) and should be performed by a licensed professional who is certified to do electrical wiring.
- Never place your towel warmer inside a shower, sauna, or steam room.
- Never attempt to warm more than three (3) towels on the towel warmer at a time. Overloading the towel warmer will cause the unit to become extremely hot and may result in a burn if touched.
- Never use an extension cord (for plug-in model).

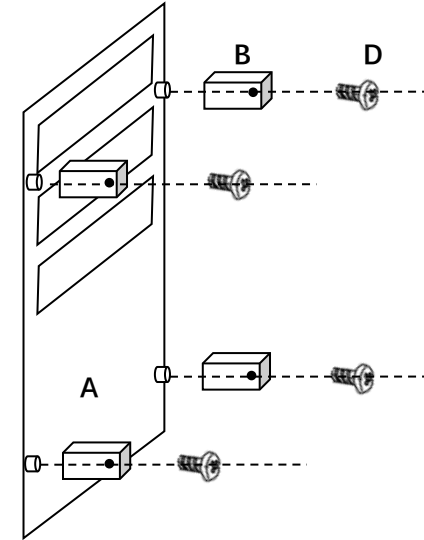
## 2 | CLEANING INFORMATION

Clean the towel warmer with a soft, non-abrasive, damp cloth while warm. Once the towel warmer has cooled, lightly polish with a soft, dry cloth. Do not use abrasive cleaning powders, metal polish, or chlorine based cleaners on any part of the towel warmer.

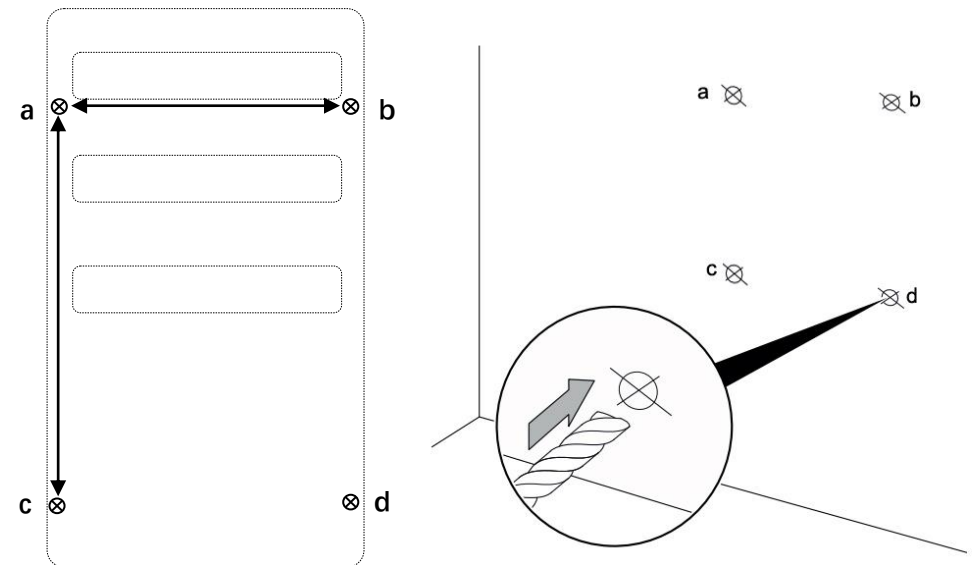
## 3 | INSTALLATION

This appliance must be installed in accordance with the instructions in the manual and the NEC and CEC guidelines relating to electrical fixtures in bathrooms. The towel warmer must be on a GFCI-protected circuit and be wired by a professional who is certified to do electrical wiring. If the towel warmer does not heat upon initial installation, Please VERIFY that the power switch is in the ON position.

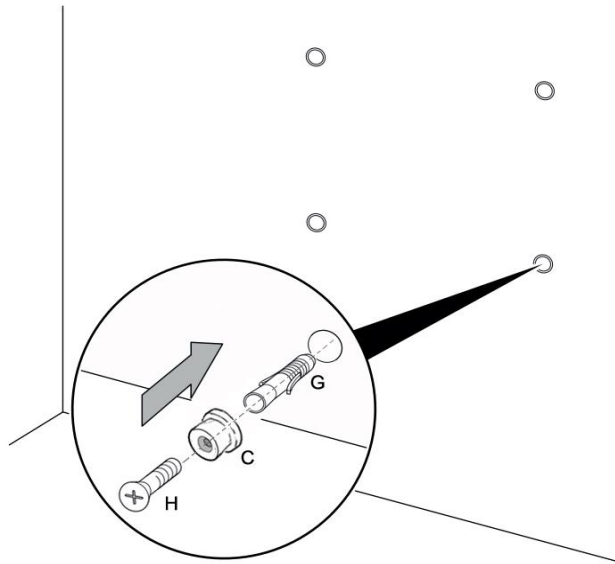
1. Affix bracket (B×4) to the towel warmer(A) using screw (D)



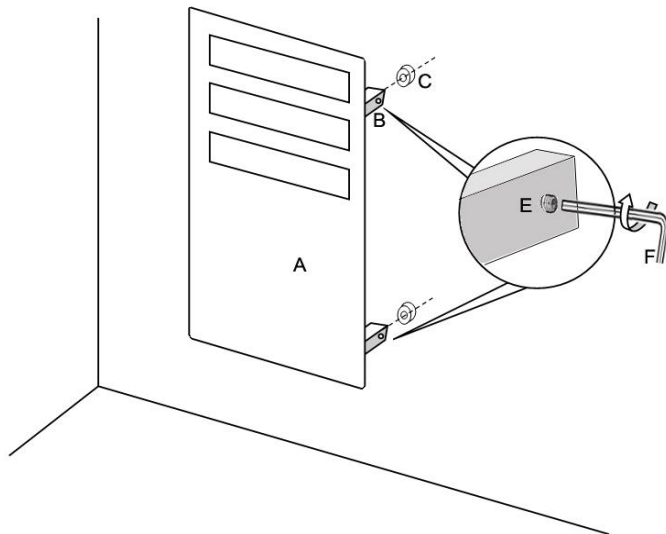
2. Affix the Towel Warmer to the Wall, Mark the bracket positions for the bore holes onto the wall.(Measure actual punching distanc of 4 brackets. (ab=cd ac=bd))



3. Drill the holes. Insert the Anchor (G) into 4 holes and use the screw (H) to tighten the Alloy ingots (C) onto the wall.



4. Affix the Towel Warmer to four Alloy ingots (C) and tighten the screw (E) on the Bracket (B) using Wrench (F).



**WARNING:**

*Measure all dimensions prior to rough-in and installation.*

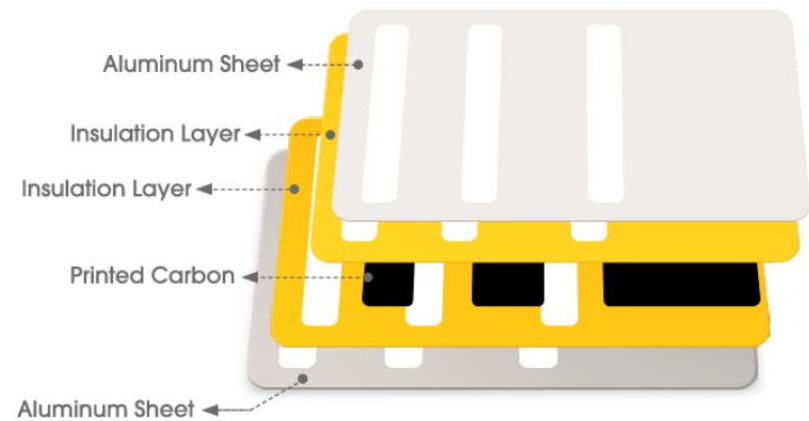
If hardwire the towel warmer, electrical box must be securely attached to a stud. The towel warmer only must be installed less than 4 feet (120cm) from properly grounded outlet. Do NOT use an extension cord.

#### 4 | PRODUCT INFORMATION

##### TECHNICAL DATA

<b>Size</b>	900×460×85mm
<b>Power</b>	160Watts
<b>Material</b>	Mainly Aluminum
<b>Surface Material</b>	Powder coating
<b>Heating element</b>	Printed carbon
<b>Switch</b>	Electronic or Mechanical switch
<b>IP grade</b>	IP44

##### STRUCTURE



## 5 | OPERATION

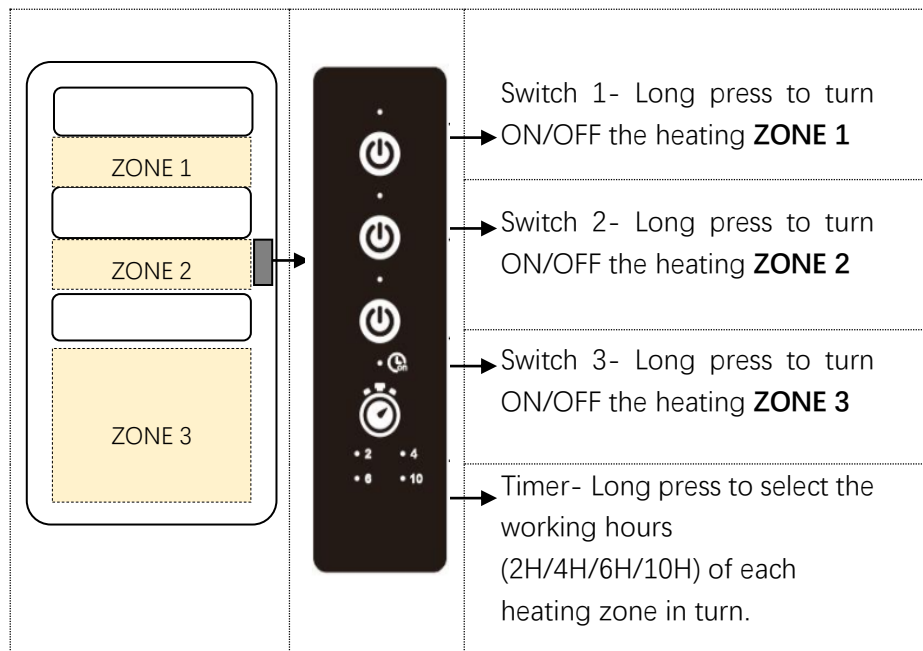
### Mechanical Model

With your Mechanical model secured to the wall and plugged into a grounded outlet, you are now ready to enjoy your towel warmer. Use the ON/OFF switch located on the bottom left side (when facing the towel warmer) to control when you want the unit to warm.

When the switch is ON, the towel warmer runs at 100% power and will reach temperatures between 100° F and 140° F depending on the following: running time, number of towels, type of towels, and ambient room temperature.

### Electronic Model

A towel warmer with electronic control unit include programmable timer and individual heating zone for luxurious and economical use of the towel warmer.



Warning

For optimum operation of your new towel warmer, we recommend placing no more than three (3) towels at a time on the warmer. Place the towels in a way to maximize the contact area between the towel and the towel warmer.

## 6 | WARRANTY

THANK YOU FOR CHOOSING TO BUY A EVOKOR APPLIANCE.

Customers can contact us for repairing or replacement of your EVOKOR appliance if it is found to be defective due to faulty materials, workmanship or function within 1 years of purchase or delivery.

EVOKOR does not guarantee the repair or replacement of a product where a defect is the result of:

- Damage caused by not carrying out the recommended appliance maintenance.
- Accidental damage, faults caused by negligent use or care, misuse, neglect, careless operation or handling of the appliance which is not in accordance with our Operating Manual.
- Use of the appliance for anything other than normal domestic household purposes.
- Faulty installation .
- Repairs or alterations carried out by parties other than Evokor or its authorised agents.

If you are in any doubt as to what is covered by your guarantee, please contact us.

# Warranty Card

NAME \_\_\_\_\_ TEL \_\_\_\_\_

ADD \_\_\_\_\_

MODEL \_\_\_\_\_ ORDER NO. \_\_\_\_\_

Date \_\_\_\_\_

Failure Description

---

---

---

---

---

---

---