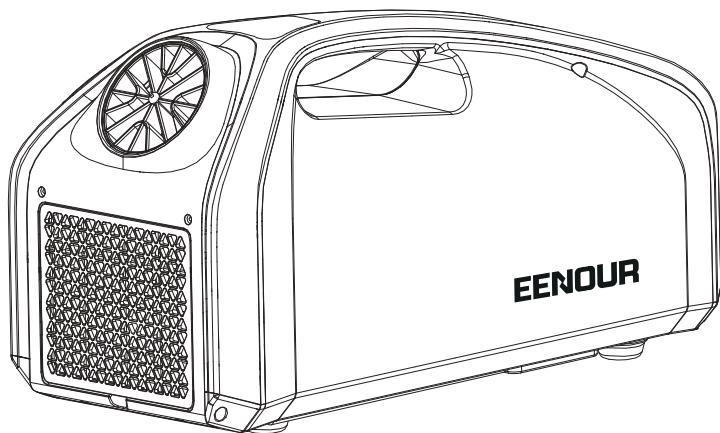


# EENOUR



**PORTABLE AIR CONDITIONER**

**INSTRUCTION MANUAL**



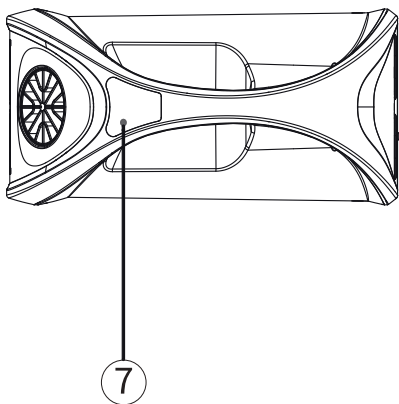
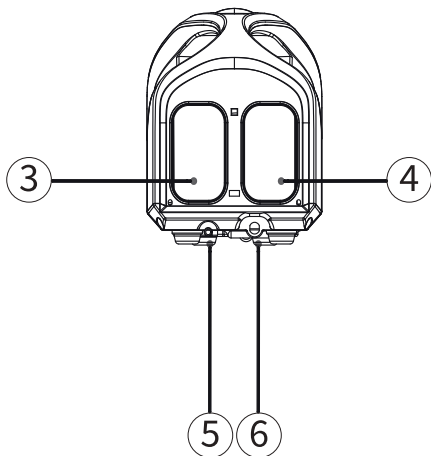
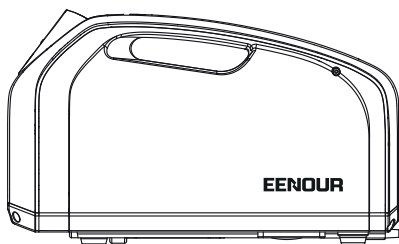
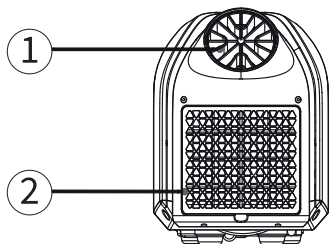
# IMPORTANT SAFETY INSTRUCTIONS



When using electrical appliances, basic safety precautions should be followed, including the followings:

1. This product is not applicable to people with physical, sensory or mental illness.
2. Do not play with the air conditioner, do not let children or toddlers touch this product. It may cause an accident, injury or malfunction.
3. Place it on a dry and flat surface before using, to avoid electric shock, electric leakage, fire or failure due to insulation deterioration.
4. Do not touch the plug, switch or wiring with wet hands to avoid a risk of electric shock or injury.
5. If the power cord or plug is damaged, please do not use it to avoid electric shock or short-circuit and catch fire.
6. If it was damaged due to electric shock, electric leakage, short circuit, etc. please do not use it to avoid a risk of fire.
7. Do not disassemble, repair or modify it other than repair technician to avoid ignition or malfunction.
8. Do not stretch the power cord to avoid the cord heat up and caught fire.
9. Keep away from fire, deformation of this machine may cause a short circuit and fire.
10. When unplugging the power plug, be sure to hold the power plug at the tip without pulling the power cord to avoid electric shock or short-circuit and catch fire.
11. Do not connect the power cord in the middle, use an extension cord. It may cause electric shock, heat generation or fire.
12. Before cleaning, please stop the operation, turn off the power and then disconnect the power plug.
13. Do not put sticky objects, fingers or sticks in the suction port or outlet. The fan is spinning at high speed and may cause injury.
14. Do not use optional items other than those specified by us. Improper installation may cause water leakage, electric shock, or fire.
15. Even if the equipment is severely damaged. Do not burn it to avoid the built-in compressor explode.

# MAIN PARTS AND ACCESSORIES



① Cooling Air Outlet

② Evaporator Air Inlet

③ Condenser Air Inlet

④ Condenser Hot Air Outlet

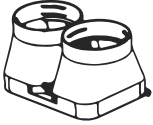

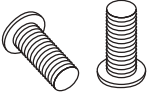
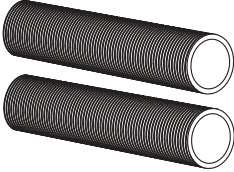
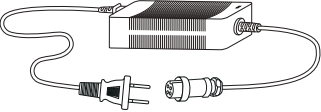
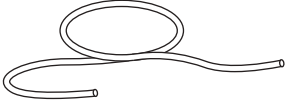

⑤ Power Outlet

⑥ Condensation Drain

⑦ Control Panel

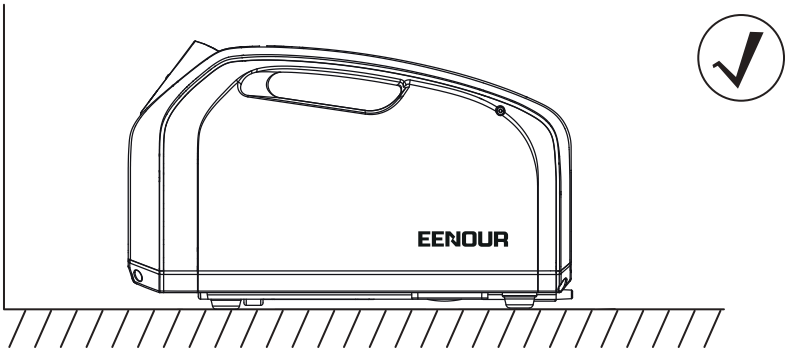
# AIR CONDITIONER ACCESSORIES



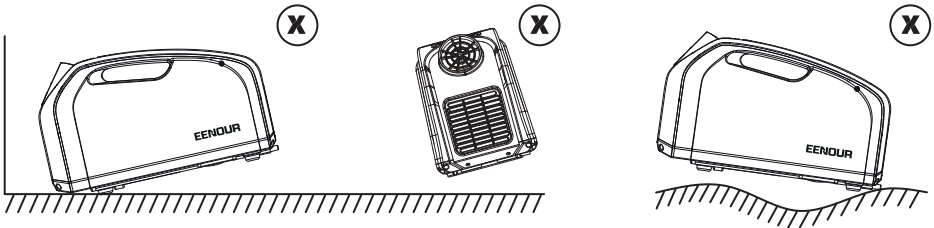
<p>Hot Air Exhaust Hose Components</p>		<p>1PC</p>
<p>Cold Air Outlet Hose Components</p>		<p>1PC</p>
<p>Screw M4*12</p>		<p>2PCS</p>
<p>Air Duct Hose</p>		<p>2PCS</p>
<p>Power Adapter</p>		<p>1PC</p>
<p>Drain Hose</p>		<p>1PC</p>
<p>2 M Aviation plug power cord</p>		<p>1PC</p>

# INSTALLATION GUIDE LOCATION

- The air conditioner should be placed on a flat floor and dry place to minimize noise and vibration.
- For safe and secure positioning, place the unit on a smooth, level floor strong enough to support the unit.
- Allow more than 20 inches of space around the unit for efficient air-conditioning.
- Never place any obstacle around the air inlet or outlet of the unit.



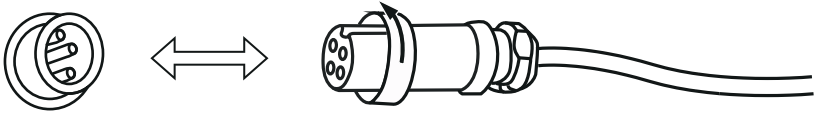
Correct Placement



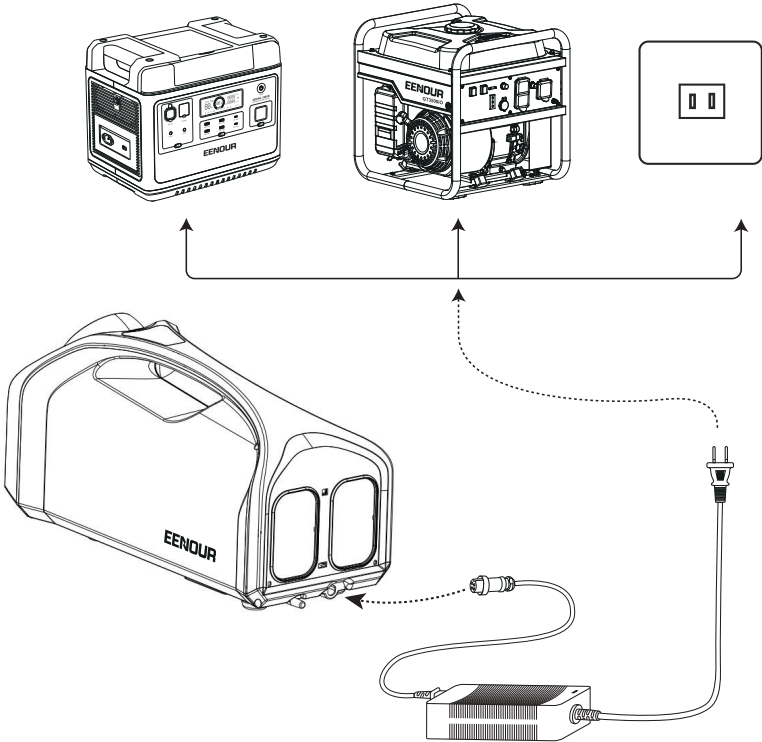
Wrong Placement

# POWER SUPPLY CONNECTION

- Insert the power adapter into the socket at the rear of the air conditioner, then the power indicator will be light up.
- \* Attention: the plug-in bump on the power socket corresponds to the adapter plug, rotate it in clockwise direction.
1. If you do not use the product for a long time, unplug the AC adapter from the outlet.
  2. Please do not use the power cord in jumbled, to avoid the cord heat up and caught fires. Please make sure to use it in stretched.



3. Considering the various uses of the portable air conditioner, we have provided an additional power cable which can be used for outdoor battery, RV power supply, etc. (Attention: the power cable must be used for DC 24V standard, or at least 10A current supply.)

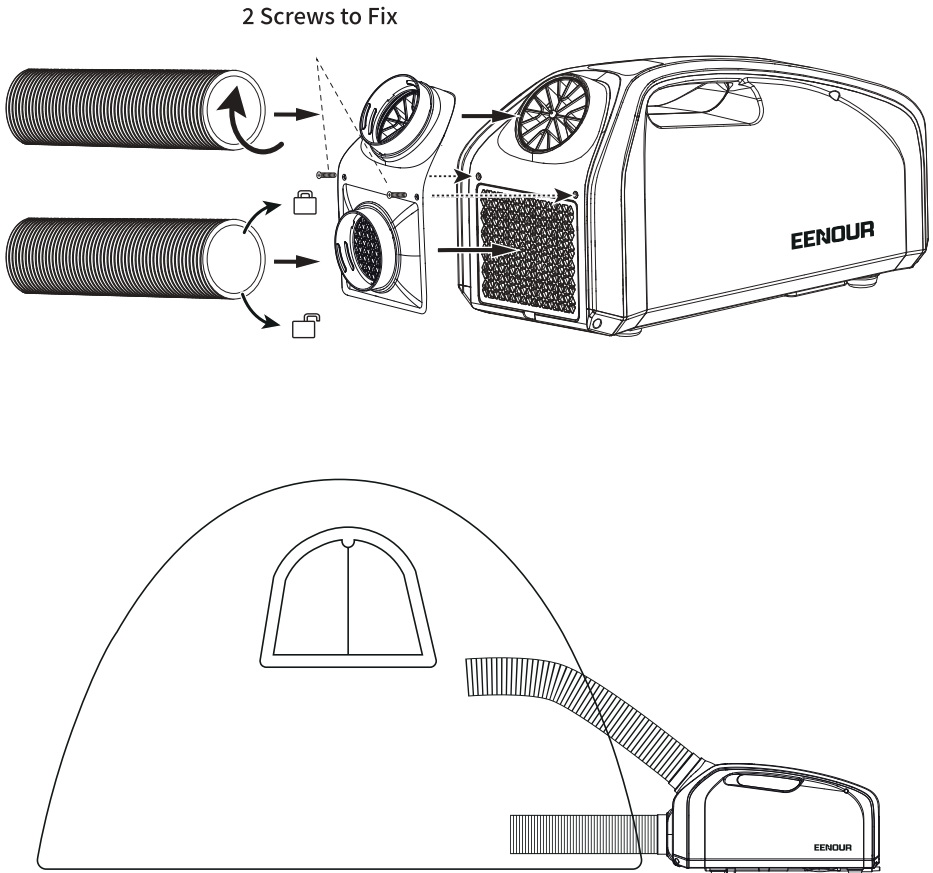


# INSTALLATION AND OPERATION

## A, Place the air conditioner outside the tent.

1. Place the air conditioner outside the tent, then attach the two air ducts to the cooling air outlet and the evaporator air inlet. (the correspond parts is ①/②)
2. After installation successfully, put the two air ducts in the tent.

Steps: Install the cold air outlet hose components to the air conditioner with the 2 screws to fix , then rotate the two air ducts in clockwise direction to the hot air exhaust hose components.

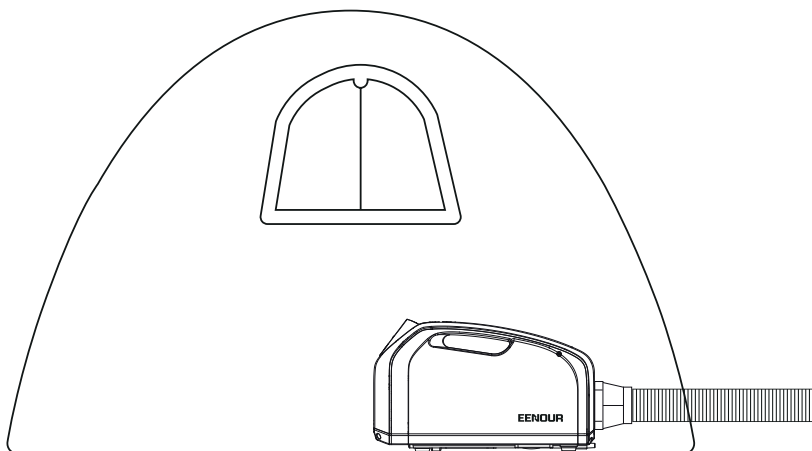
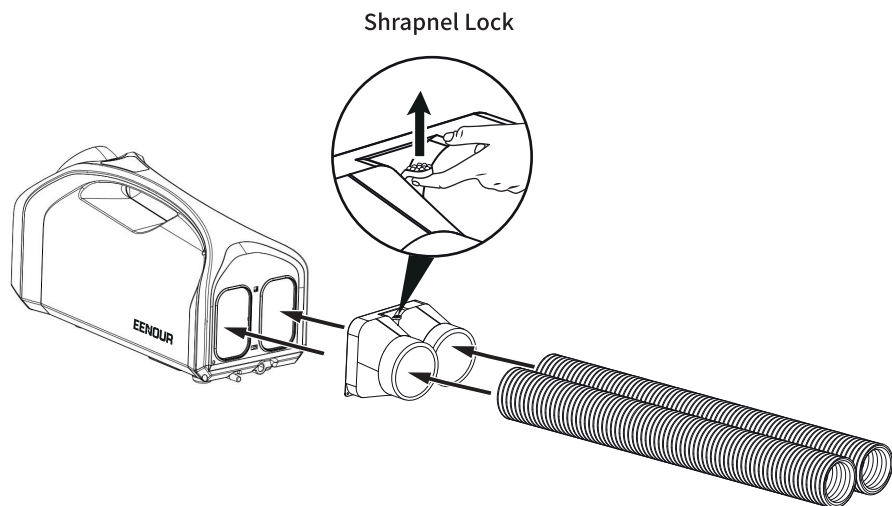




## B, Place the air conditioner in the tent

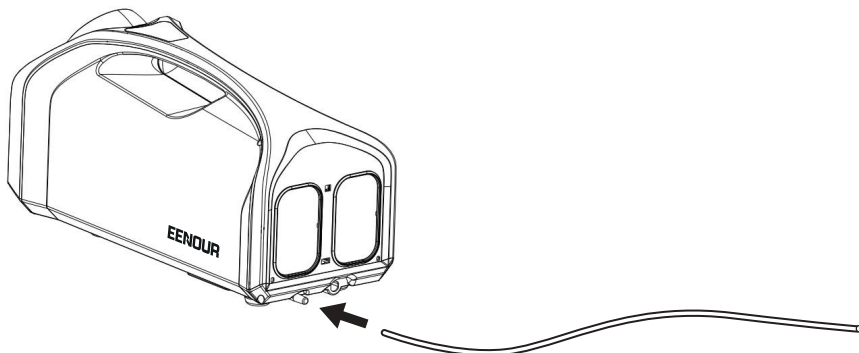
1. Place the air conditioner in the tent, then attach the two air ducts to the condenser air inlet and the condenser hot air outlet. (the correspond parts is ③/④)
2. After installation successfully, put the two air ducts outside the tent.

Steps: Install the hot air exhaust hose components to the air conditioner, then rotate the two air ducts in clockwise direction to the hot air exhaust hose components.



## DRAIN HOSE CONNECTION

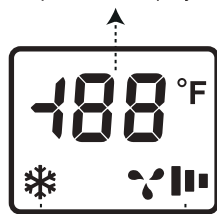
Insert the drain hose into the hole at the back of the air conditioner, and avoid the drain hose clogging, keep it straighten as much as possible.



## CONTROL PANEL



Temperature Display



Cooling mode

Fan Speed Indicator Light

① Power ON/OFF

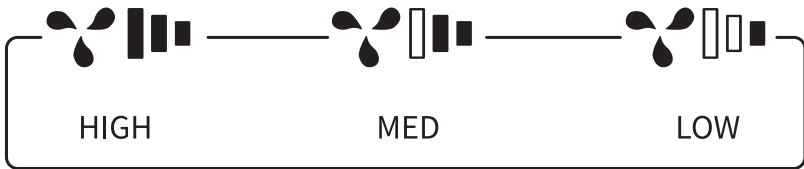
② Sleep Mode (Only start fan function)

③ Fan Speed Selection Button (LOW/MED/HIGH)

④ Increase /Decrease Temp Button (60°F-86°F)

# OPERATION INSTRUCTIONS

- ✧ Press the ① to turn on.
- ✧ Press the ① 2 seconds to turn off.
- ✧ If there is no operations after startup, the screen will display the setting temperature, speed and mode.
- ✧ When the air conditioner is turned on, it will automatically switch the cooling mode and the icon ❄️ will be indicates on the screen. Then press sleep mode button to select fan mode and the icon ❄️ will disappear. Press the sleep mode button to switch between fan mode and cooling mode.
- ✧ Press the ▲▼ buttons until the desired temperature is displayed. The temperature digital flashing indicates that the setting is in progress. If you press the ▲▼ continuously, you can quickly and continuously press the button increase or decrease. After stop pressing the button, the temperature digital flashing stops for 5 seconds, and automatically exits the setting and restores the display of the setting temperature.
- ✧ Press the ⚙️ to adjust and set the desired speed. The speed icon flashes indicate that it is setting. The 3 level fan speed can be set. After stop the setting, the flashing will stop for 5 seconds, then the setting is completed.



## CARE INSTRUCTIONS

- Before cleaning or maintenance, turn the appliance off. Wait for a few minutes then unplug from the electrical outlet.
- Clean the appliance with a slightly damp cloth then dry with a dry cloth.  
Plastic parts maintenance:
- To protect the air conditioner, it must be kept clean, and try to avoid oil stain and deformation. If the oil is attached to the plastic parts for a long time, the plastic parts will be aging, cracking and smell. Therefore, we should clean it regularly.
- Never wash the air conditioner with water to prevent the electrical insulation from reducing and rusting.
- Never use petrol, alcohol or solvents to clean the appliance.
- Never spray insecticide liquids or similar.



## Troubleshooting

- ✧ We recommend shutting off 15 minutes then restart the device.

## SPECIFICATION

Model	QN750
Input power	AC 100V-240V, DC 24V
Power Consumption	210W
Cooling Power	2900 BTU
Noise Level	< 50dB
Fan Speed (Low-Mid-High)	4.8m/s-6.4m/s-9.9m/s
Cooling Method	Compressor
Refrigerant	R134a
Operating Modes	Cooling and Fan
Set Temperature	60°F-86°F
Ambient Temperature	37°F-107°F
Net Weight	22.05 lb
Gross Weight	25.35 lb

## EXCLUSIONS

This warranty does not apply to the below:

1. If the appearance or exterior of the product has been damaged or defaced, altered or modified in design or construction.
2. If there is damaged due to power line surge, user damage to the AC power cord or connection to improper voltage source.
3. If damage is due to general misuse, accidents or acts of God.
4. If repair attempts are done by unauthorized service agents, use of parts other than genuine parts or parts obtained from persons other than authorized service companies.
5. On products that have been purchased as refurbished, like new, second-hand, in a "As-Is" or "Final Sale" terms.
6. To products used in settings other than ordinary household use or used other than in accordance with the provided instructions.
7. To damages for service calls for improper installations.
8. Due to fire, earthquake, storm and flood damage, lightning strike, other natural disasters, pollution, abnormal voltage, and other external factors.
9. If any failure or damage occurs, please stop using it. If you continue to use it, it will smoke or ignite. In some cases, we are not responsible for any damage caused by fire.

# CUSTOMER SERVICE



## IMPORTANT

1. The warranty commences the day the product is purchased and covers up to a period of 1 year (12 months).
2. The specifications of this product are subject to change without notice.
3. This product may be discontinued due to the discontinuation of electronic components.
4. If you have a problem with this product, please contact the Customer Satisfaction Center at [support@eenour.com](mailto:support@eenour.com). DATED PROOF OF PURCHASE, MODEL # ORDER ID. We'll get back to you as soon as possible. Thank you so much!



