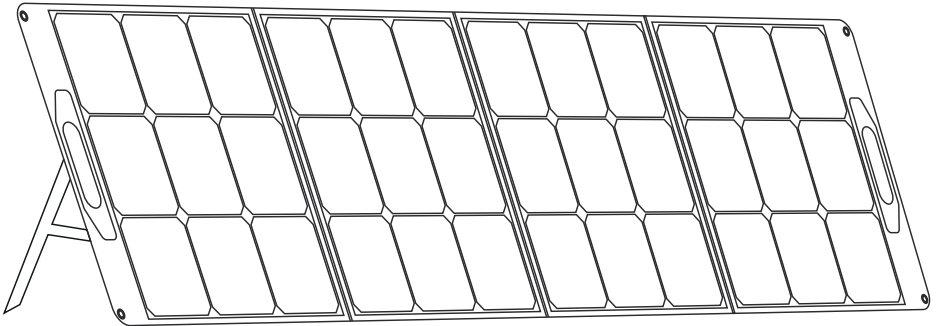


EENOUR

Solar Panel 200W



Model: EB-200P

User Manual

Please read this manual before use and follow its guidance. Keep this manual for future reference.

Introduction

Thank you for purchasing the EENOUR Solar Panel. Before using, please read the user manual of this product to ensure correct use after a complete understanding. After reading, please keep the user manual in a safe place for future reference. If you need any assistance, please contact our support team at: support@eenour.com with your product model number and Amazon order number.

Precaution For Use

When using the appliance, abide by all precautions from start to finish, including the following contents: please read all instructions before using the product.

Main Features

EB-200P is equipped with QC3.0 / Type-C USB output ports and a MC4 cable. It is possible to charge devices such as smartphones, tablets, power stations, and 12V to 36V storage batteries.

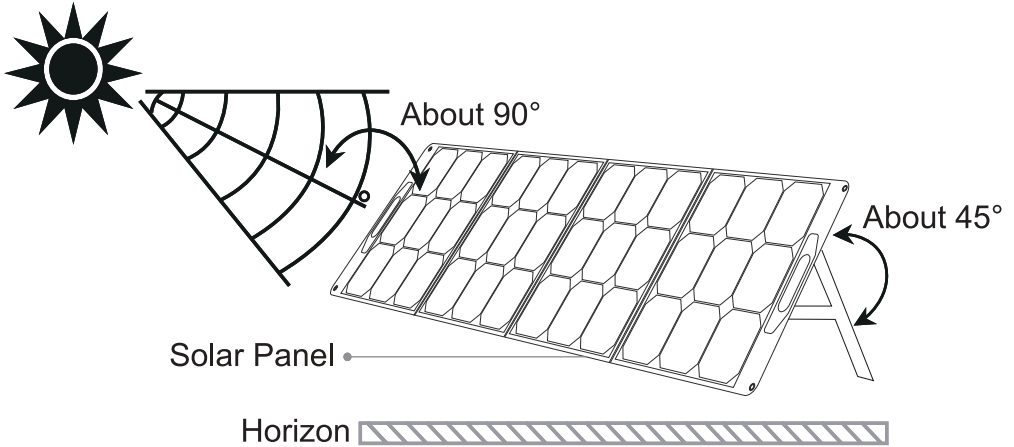
The solar panel has a built-in protection chip, which can prevent short circuit, overcurrent, products overheating, etc, and can automatically detect the power and perform quick charging with a suitable current.

EB-200P is with the latest voltage-adjustable technology, supporting 18V or 36V output voltage which can be adjusted by the voltage transfer switch. The solar power supply method is energy-saving and environmentally friendly and is also recommended for emergency charging.

Installation Method

In order to generate more power from sunlight, it is recommended to install it in the direction of high solar radiation.

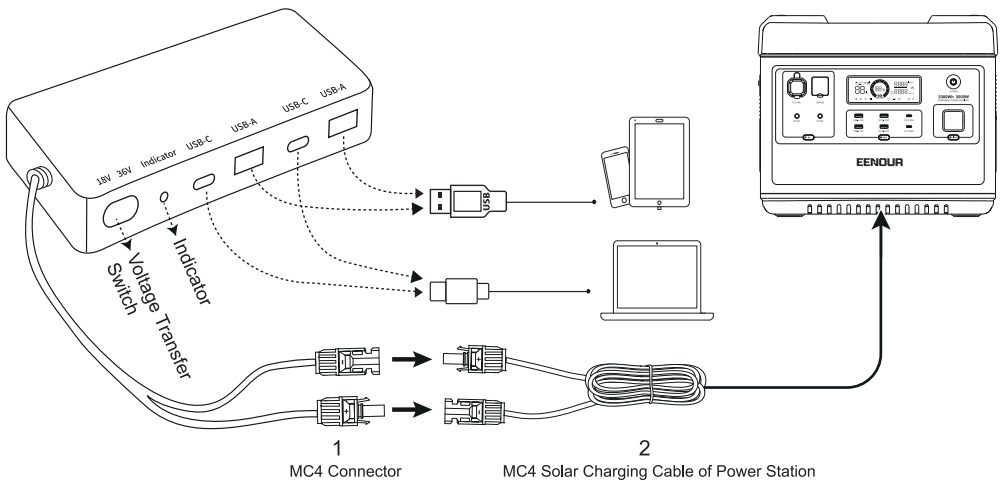
If the panel is installed at an angle where the panel surface is almost perpendicular to the sunlight irradiation light, the amount of power generation will be maximized and the amount of power generation will also increase.



Charging methods

How to use the USB outputs

1. Unfold the panel and make sure the power light on the output box is red.
2. Connect a commercially available USB cable to the USB terminal.
3. When the USB terminal outputs normally, output box is still red. In the case of a low voltage/overcurrent/short circuit, it will blink red or turn off.



How to use MC4 output

1. Expand the panel and make sure the power light on the output box is red, and switch the right output voltage between 18V and 36V.

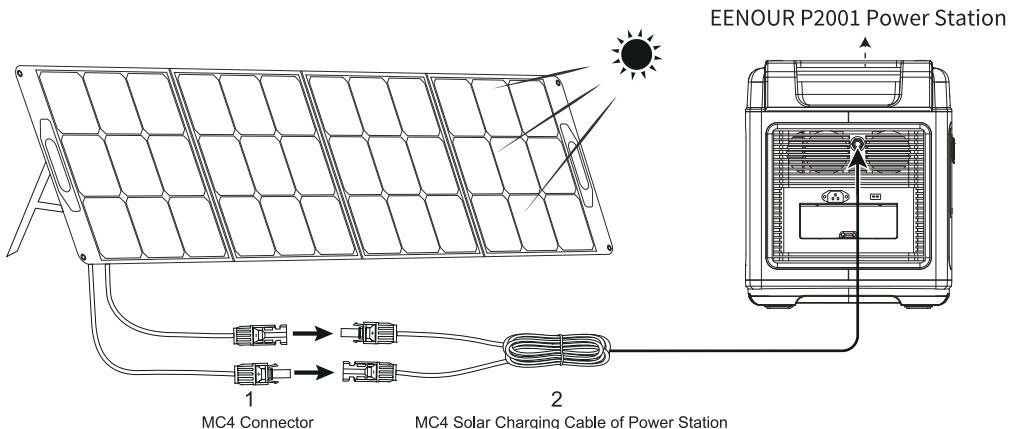
* If installed in a sunny place, the indicator will light up.

2. Connect the solar panel MC4 connector to MC4 Cable of power station.

3. In the case of a beeping sound from products, it means that the voltage is not in the right selection. Please disconnect and adjust the voltage selection. In the case of a low voltage/overcurrent/short circuit, it will blink red or turn off.

* In order to increase the efficiency of the EENOUR Solar Panel, use it in direct sunlight, position it perpendicular to the sunlight, and make sure the solar panels are unobstructed.

* The sunshine intensity and usage environment will influence the efficiency of power generation of solar panels.

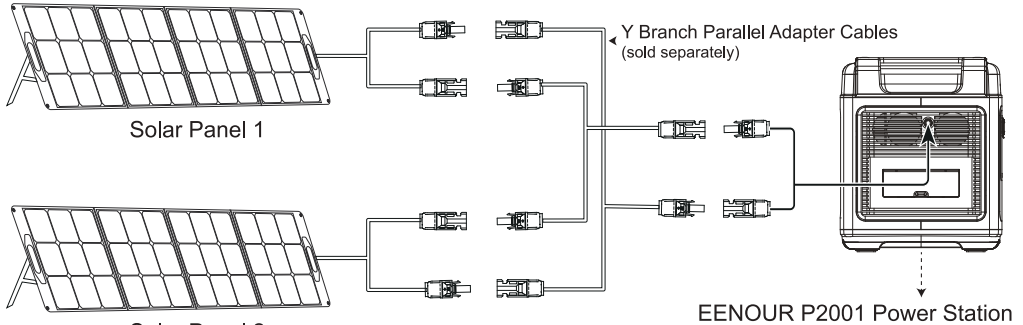


Connecting the Solar Panels in Parallels or in Series

Wire solar panels in parallel

1. Connect the positive poles of the solar panels with the negative poles of Y Branch Parallel Adapter Cables, and connect the negative poles of the solar panels with the positive poles of Y Branch Parallel Adapter Cables;

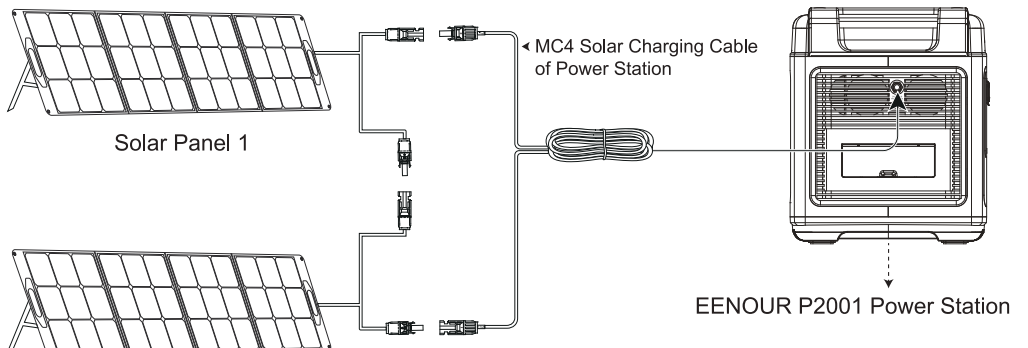
2. Connect the parallel cable connectors (output side) with the connectors of MC4 cable;
3. Connect the MC4 cable to the port of the power station.



Parallel Connection

Wire solar panels in series

1. Connect the positive connector of solar panel 1 to the negative connector of solar panel 2;
2. Connect the negative pole of solar panel 1 to the positive pole of MC4 cable of the power station, and the positive pole of solar panel 2 to the negative pole of the MC4 cable.
3. Connect the MC4 cable to the port of the power station.



Series Connection

Connecting Notes:

- * Before connecting in series/parallel, make sure the two solar panels are at the same voltage. If there is a beeping sound from the output box, please disconnect the link and toggle the voltage switch.
- * If 2 solar panels are connected in series with 18V, the voltage will rise to 36V, so set the right rated input voltage of the electrical equipment before connecting.
- * If 2 solar panels are connected in parallel with 18V, the current will be double, so check the rated input current of the electrical equipment before connecting.
- * If 2 solar panels are connected in series with 36V, the voltage will rise to 72V, so check the rated input voltage of the electrical equipment before connection.
- * If 2 solar panels are connected in parallel at 36V, the current will be double, so check the rated input current of the electrical device before connection.
- * Please use the right output voltage and current, otherwise, it may cause a malfunction of electrical equipment.

Notice

- Be sure to unfold the entire panel and expose it to direct sunlight.
- Do not soak the solar panels in water or other liquid.
- Please gently wipe it with a damp cloth.
- Do not use or store solar panels near open flames or flammable materials.
- Do not scratch the surface of solar panels with sharp objects.
- Do not touch the tip of the cable with your bare hands. There is a risk of electric shock.
- Prevent corrosive substances to damage solar panels.
- Check the connection status of each component, including cables, wires, and plugs.

The loose connection may cause electric shock, electric leakage, or an accident.

- If the panel surface is partially shaded with something or dirty, the power generation effect rate will drop, even be stopped.
- Handle with care and avoid excessive bending or bumping as it may damage the product.
- Please note that the solar panel may be damaged by dropping or impacting.
- When carrying the solar panel, be sure to fold it.
- The temperature with the best power generation efficiency is around 68°F to 86°F.

FQA

Q: What is the compatibility of the solar panel?

It is compatible with most power stations in the market.

Q: What factors may affect the solar conversion rate?

1. The weather condition.
2. Working environment temperature.
3. The angle from the panels to sunlight.
4. The sunlight strength.

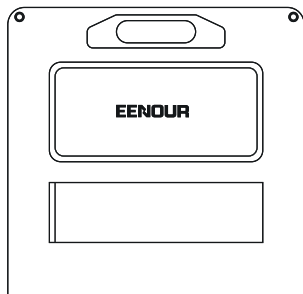
Q: How to clean the solar surface?

Dust and dirt on the surface should first be removed using a soft brush. Use a damp cloth to wipe the surface of the solar panel to remove any remaining dust or dirt.

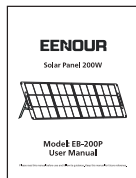
Technical Specifications

Model	EB-200P
Cell Type	Monocrystalline Silicon
Peak Power	200W
Laminated Material	ETFE
Cell Efficiency	21.5%~23.5%
Open Circuit Voltage	23V±5%
Short Circuit Current	11.45A±5%
Operating Temperature	14-149°F (-10-65°C)
Folding Number	4
USB Output (QC 3.0)×2	5V/3A 9V/2.5A 12V/2A
USB Output (Type-C,PD60W)×2	5V/3A 9V/3A 12V/3A 15V/3A 20V/3A
MC4 Output Voltage&Current	18V/11A (MAX) , 36V/5.5A (MAX)
Size (Fold)	23.8*21.3*2.2 inch (640*560*55mm)
Size (Unfold)	89.8*21.3*0.98 inch (2360*560*25mm)
Weight	11.7 lb (5.3KG)
Warranty	12 months

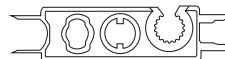
Package List



1 × EENOUR Solar Panel 200W



1 × User Manual



1 × MC4 Cable Removal Tool

Warranty

The product is with a 1-year warranty from the date of purchase (damages from normal wear and tear, alteration, misuse, neglect, accident, service by anyone other than the authorized service center, or act of God are not included).

During the warranty period and upon verification of defects, this product will be replaced when returned with proof of purchase.

Customer Support

If you need help regarding product issues, after-sales service, or other relevant problems, please contact us via email: support@eenour.com, and provide the following information:

- Order ID
- Problem description

E-mail: support@eenour.com

Website: <https://eenour.com/>

CE FC  RoHS