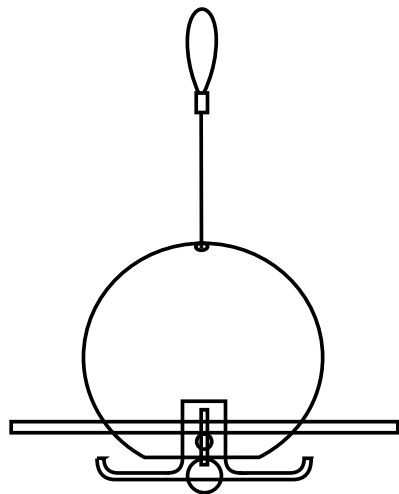


**J SCHATZ**

Pop Bird Feeder  
User Guide



## INTRODUCTION

Your new Pop Bird Feeder is easy to use. Please use this User Guide to:

Assemble and fill the Pop Bird Feeder with bird food

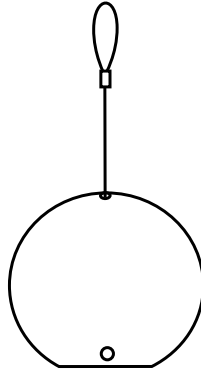
Disassemble and refill the Pop Bird Feeder with bird food

Care for the Pop Bird Feeder

## POP BIRD FEEDER PARTS

Your Pop Bird Feeder consists of 5 individual Parts.

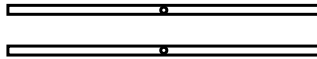
1 Stoneware Feeder with Vinyl  
Coated Hanging Wire



1 Aluminum Base



2 Aluminum Poles



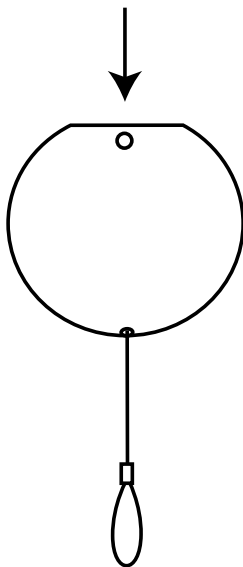
1 Hitch Pin



# POP BIRD FEEDER ASSEMBLY INSTRUCTIONS

## STEP 1

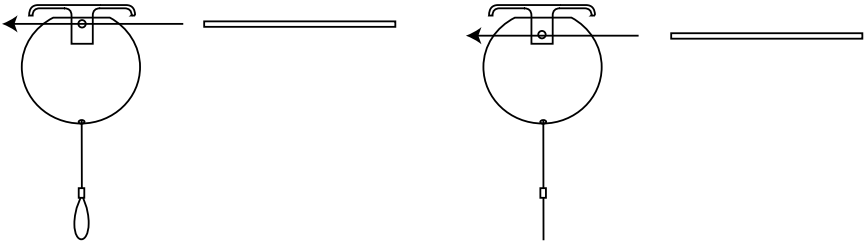
Turn the feeder upside down and fill with bird food.



## POP BIRD FEEDER ASSEMBLY INSTRUCTIONS

### STEP 2

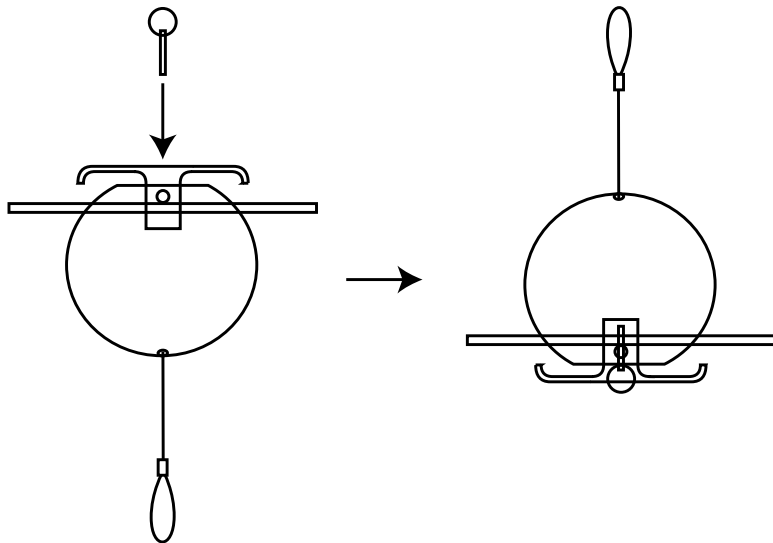
Position the base upside down in the center of the feeder and line up the upper holes on the exterior of the feeder with the upper holes on the interior of the base. Insert aluminum poles through the feeder and base - one pole through the upper holes and one through the lower holes.



## POP BIRD FEEDER ASSEMBLY INSTRUCTIONS

### STEP 3

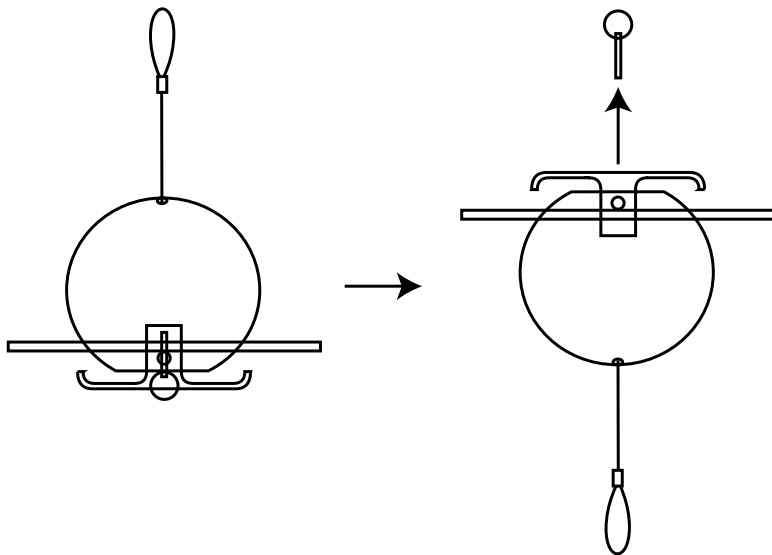
Line up the holes in the aluminum poles and insert the hitch pin through the holes to secure the base in place. Turn the Pop Bird Feeder over and hang.



## POP BIRD FEEDER DISASSEMBLY INSTRUCTIONS

### STEP 1

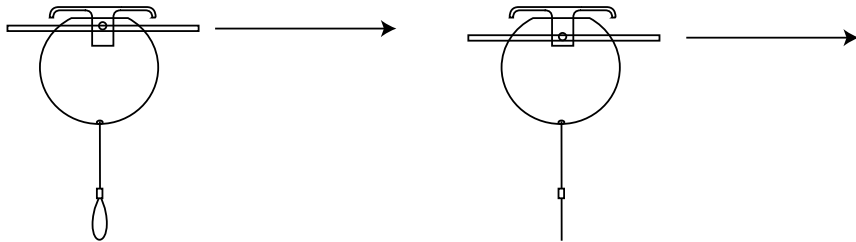
Turn the feeder upside down and remove the hitch pin.



## POP BIRD FEEDER DISASSEMBLY INSTRUCTIONS

### STEP 2

Remove the aluminum poles from both upper and lower sides of the feeder.

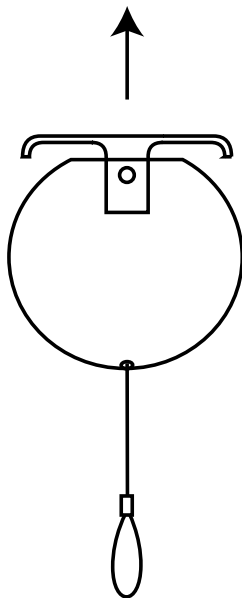




## POP BIRD FEEDER DISASSEMBLY INSTRUCTIONS

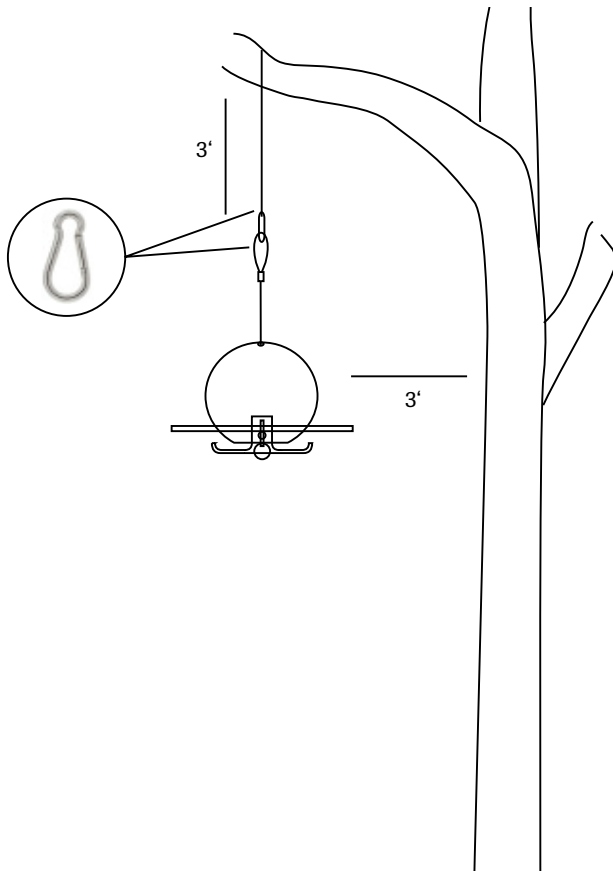
### STEP 3

Remove the base and follow the Assembly Instructions to refill with bird food.



## POP BIRD FEEDER HANGING GUIDE

Hang the Pop Bird Feeder 3' from surrounding surfaces to prevent animals from eating from the feeder. Most animals will not be able to jump onto the slippery surface of the Pop Bird Feeder if hung at least 3' from surrounding surfaces. The Pop Bird Feeder hanging wire is 12" and will need to be connected to an additional length of wire to hang 3' from surrounding surfaces. We recommend using a snap hook to attach the Pop Bird Feeder to the additional length of wire. A snap hook allows the Pop Bird Feeder to easily be removed for refilling. Snap hooks can be found in most hardware stores.



## CARE FOR THE POP BIRD FEEDER

Wipe clean stoneware and aluminum surfaces with a damp cloth. Once a month we recommend cleaning the feeder with a 10% bleach to water solution. Allow the solution to set on the feeder for ten minutes, drain off the solution, and then rinse thoroughly. Allow the feeder to completely dry before refilling it. If a feeder becomes moldy, scrub it thoroughly with the 10% bleach to water solution using a stiff brush. Once it is clean, clean the feeder as above. If you live in an area that freezes please make sure the interior of the Pop Bird Feeder remains dry during the critical times of year when it freezes and thaws. Damage to the feeder may occur during the freeze/thaw cycles if the interior is wet.



## Wonder-Certified™

We certify that the products we make are inspired by wonder. Each day we arrive at the studio motivated to work hard and create exceptional pieces of ceramic ware. We live to capture beauty, be surprised, and solve creative problems with innovative designs. Most importantly, we love what we do. 28,000 wonder-certified ceramic products have been sold since 2004 to satisfied customers throughout all fifty states and around the world in 14 countries. Handmade with wonder in our Boothbay Harbor studio one piece at a time.

**CUSTOMER SERVICE CALL 866-344-5267**

Weekdays 9a.m. - 5p.m. EST

**OR VISIT [WWW.JSCHATZ.COM](http://WWW.JSCHATZ.COM)**

Follow J Schatz on Facebook, Twitter, or Instagram:

[facebook.com/jschatzstudio](https://facebook.com/jschatzstudio)

[twitter.com/jschatzstudio](https://twitter.com/jschatzstudio)

[instagram.com/jschatzstudio](https://instagram.com/jschatzstudio)

Wonder-Certified, and J Schatz are trademarks of J Schatz, Inc.

©2023 J Schatz. All Rights Reserved.