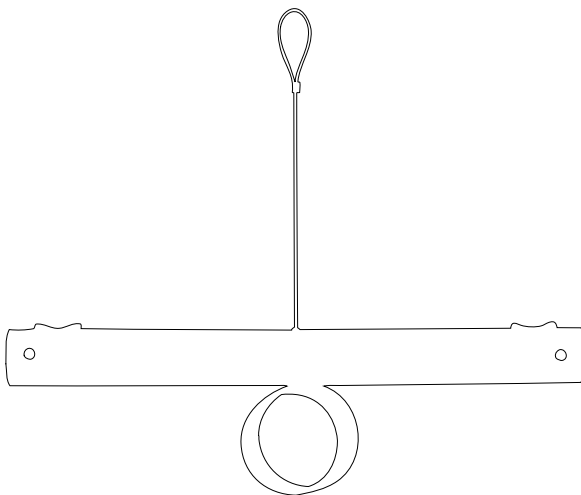


J SCHATZ

Mobile Bird Feeder
User Guide



INTRODUCTION

Your new Mobile Bird Feeder is easy to use.

The User Guide will help you:

Learn about the Mobile Bird Feeder Assembly & Included Parts

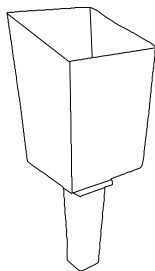
Hang the Mobile Bird Feeder

Fill the Mobile Bird Feeder with bird food

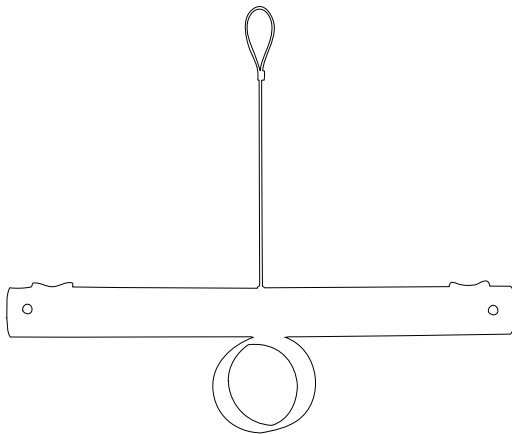
Care for the Mobile Bird Feeder

MOBILE BIRD FEEDER ASSEMBLY & INCLUDED PARTS

Your Mobile Bird Feeder arrives assembled and ready to hang and fill with your favorite bird seed using the included seed scoop. The stoneware feeding tube is suspended by a vinyl-coated wire and rests on an aluminum balancing ring secured with an aluminum button stop. Birds eat from the two holes on either end of the tube. View the assembly detail on the next page.



Seed Scoop



Mobile Bird Feeder

MOBILE BIRD FEEDER ASSEMBLY DETAIL

1 Vinyl Coated Hanging Wire

1 Stoneware Feeding Tube with

4 Aluminum Perches secured

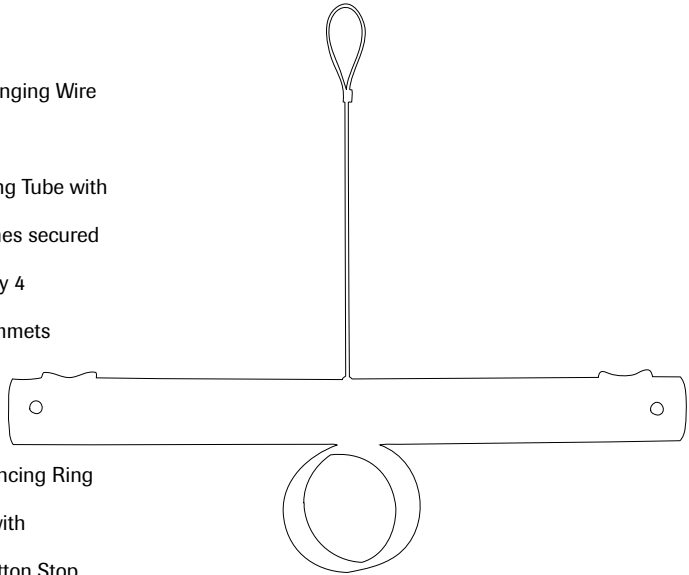
in place by 4

Rubber Grommets

1 Aluminum Balancing Ring

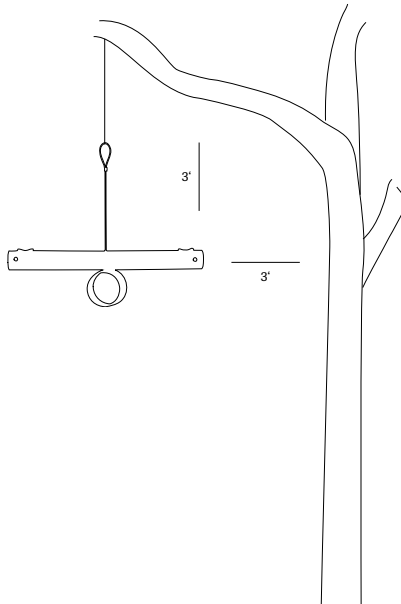
secured with

1 Aluminum Button Stop



MOBILE BIRD FEEDER HANGING INSTRUCTIONS

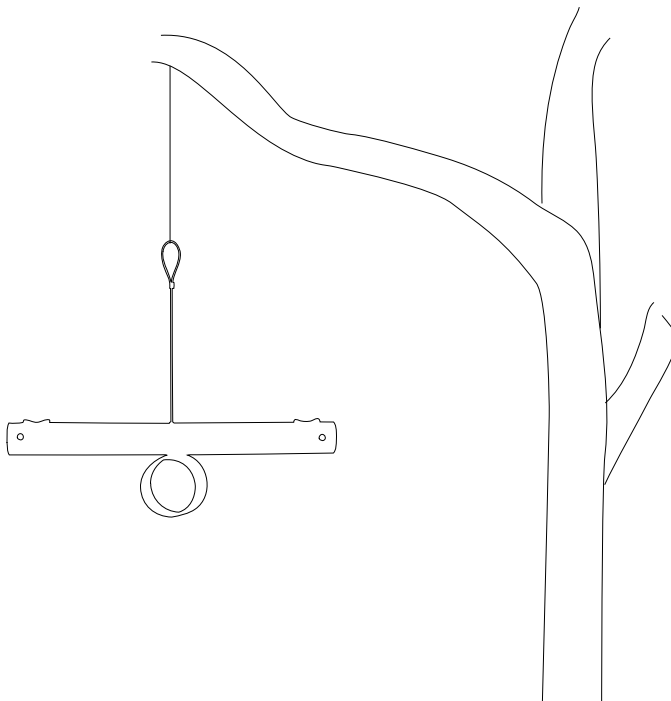
We recommend hanging the Mobile Bird Feeder before filling it. Hang the Mobile Bird Feeder 3' from surrounding surfaces to prevent animals from eating from the feeder. Most animals will not be able to jump onto the slippery surface of the Mobile Bird Feeder if hung at least 3' from surrounding surfaces. The Mobile Bird Feeder hanging wire is 12" and will need to be connected to an additional length of wire to hang 3' from surrounding surfaces.



MOBILE BIRD FEEDER FILLING INSTRUCTIONS

STEP 1

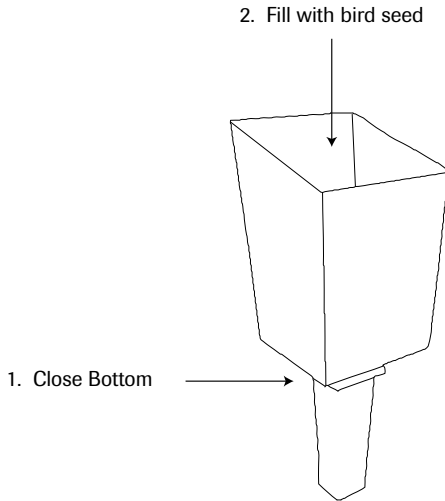
To fill with seed, first hang the Mobile Bird Feeder as described on the previous page.



MOBILE BIRD FEEDER FILLING INSTRUCTIONS

STEP 2

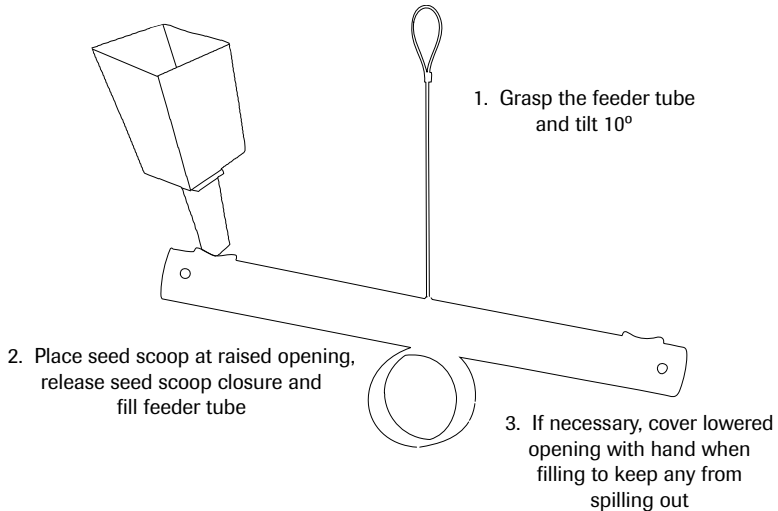
Fill the seed scoop with seed, making sure the closure on the bottom of the seed scoop is tightly closed. The easy to use seed scoop can be opened and closed with one hand, allowing you a free hand to hold onto the mobile bird feeder when filling.



MOBILE BIRD FEEDER FILLING INSTRUCTIONS

STEP 3

Grasp the feeder tube with one hand and tilt to a 10 degree angle. Place the seed scoop at the raised opening and release the seed scoop closure to fill the feeder. Gently shake the feeder tube to ensure it fills completely. The feeder holds 4 1/2 cups of seed. The Mobile Bird Feeder is designed to keep seed inside when full and tilted at an angle, but you may need to cover the lowered opening with your hand when tilting and filling with seed to keep any from spilling out. Release the feeder and enjoy.



CARE FOR THE MOBILE BIRD FEEDER

Wipe ceramic and aluminum surfaces clean with a damp cloth. Once every few months we recommend cleaning the feeder with a solution of 10% bleach to water. Pour solution in feeder, allow it to set for ten minutes, then drain completely and rinse thoroughly with water. Allow the feeder to dry completely before refilling. If any mold should accumulate in feeder, scrub interior of feeder with the 10% bleach to water solution using a stiff brush. Once mold is removed, clean the feeder as above.



Wonder-Certified™

We certify that the products we make are inspired by wonder. Each day we arrive at the studio motivated to work hard and create exceptional pieces of ceramic ware. We live to capture beauty, be surprised, and solve creative problems with innovative designs. Most importantly, we love what we do. 28,000 wonder-certified ceramic products have been sold since 2004 to satisfied customers throughout all fifty states and around the world in 14 countries. Handmade with wonder in our Boothbay Harbor studio one piece at a time.

CUSTOMER SERVICE CALL 866-344-5267

Weekdays 9a.m. - 5p.m. EST

OR VISIT WWW.JSCHATZ.COM

Follow J Schatz on Facebook, Twitter, or Instagram:

facebook.com/jschatzstudio

twitter.com/jschatzstudio

instagram.com/jschatzstudio