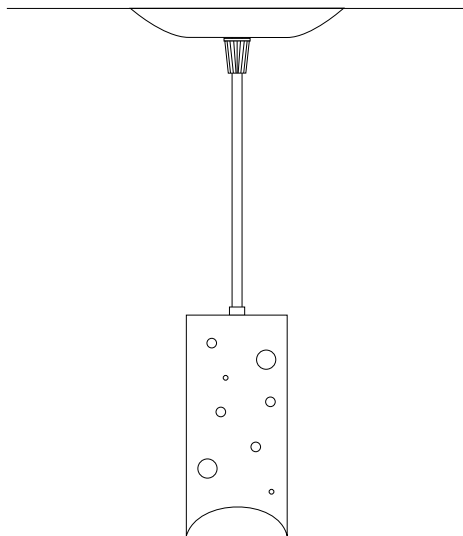


J SCHATZ

Cilindro Pendant
Canopy Installation Guide



INTRODUCTION

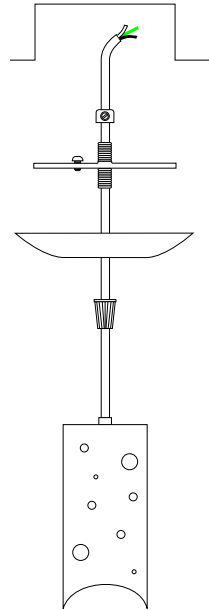
We recommend installation of your new Cilindro Pendant by a professional electrician. Please share this guide with your electrician.

DANGER: Electric shock risk. Turn Off electrical power before beginning installation and use caution when installing.

PARTS

Your Cilindro Pendant Canopy consists of 6 individual Parts.

- (1) Cord Grip
- (1) 4" Mounting Crossbar for Junction Box attached to
 - (1) 1 1/4" Steel Nipple
- (1) 5" White Canopy
- (1) White Cap
- (1) 4' White Electrical Hanging Wire
 - attached to
 - (1) Ceramic Cilindro Pendant



STEP 1

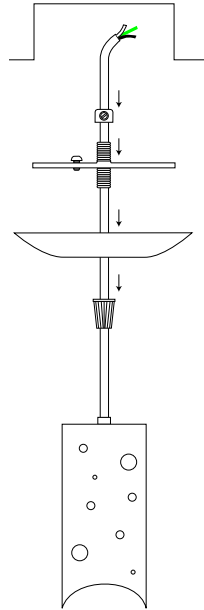
Slide the White Cap, White Canopy, Mounting Crossbar and Steel Nipple, and Cord Grip over the White Electrical Hanging Wire.

Cord Grip

Mounting Crossbar and Steel Nipple

White Canopy

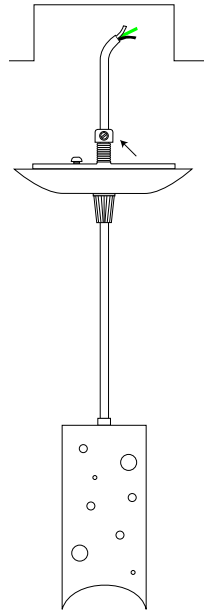
White Cap



STEP 2

Decide the hanging length of your Cilindro Pendant and position the Cord Grip next to the Steel Nipple. Tighten the screw of the Cord Grip until it is securely attached to the White Electrical Hanging Wire.

Position and Tighten the Cord Grip



STEP 3

Attach the Mounting Crossbar to your Junction Box using the screws in your Junction Box. Cut any excess Electrical Wire length, strip the wire ends and attach to your power source.

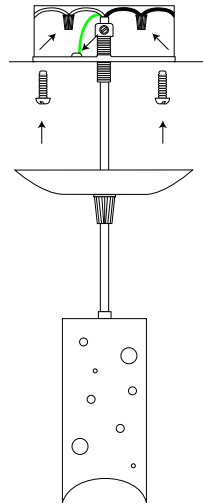
Attach Mounting Crossbar to Junction Box using the screws in your Junction Box

Attach the Black and White Electrical Wires to Power Source using Wire Nuts:

Black Wire to Black Wire

White Wire to White Wire

Attach the Green Wire to the Ground Screw on Mounting Crossbar

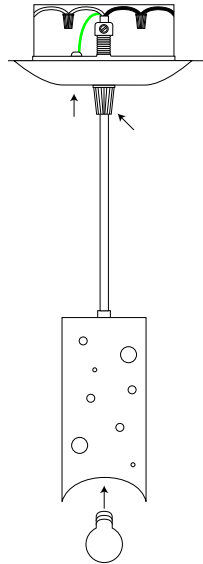


STEP 4

Slide the White Canopy up to the ceiling and secure in place by tightening the White Cap over the bottom of the Steel Nipple. Insert a light bulb into the lamp socket, turn on your electrical power and enjoy.

Slide White Canopy Up
Secure White Cap to Steel Nipple

Insert a 60 Watt Max light bulb
into lamp socket
Use a clear light bulb for crisp projections



Cilindro Pendant Vase Cap with White Electrical Cord





Wonder-Certified™

We certify that the products we make are inspired by wonder. Each day we arrive at the studio motivated to work hard and create exceptional pieces of ceramic ware. We live to capture beauty, be surprised, and solve creative problems with innovative designs. Most importantly, we love what we do. 28,000 wonder-certified ceramic products have been sold since 2004 to satisfied customers throughout all fifty states and around the world in 14 countries. Handmade with wonder in our Boothbay Harbor studio one piece at a time.

CUSTOMER SERVICE CALL 866-344-5267

Weekdays 9a.m. - 5p.m. EST

OR VISIT WWW.JSCHATZ.COM

Follow J Schatz on Instagram, Facebook, or Pinterest:

[instagram.com/jschatzstudio](https://www.instagram.com/jschatzstudio)

[facebook.com/jschatzstudio](https://www.facebook.com/jschatzstudio)

[pinterest.com/jschatzstudio/](https://www.pinterest.com/jschatzstudio/)

Wonder-Certified, and J Schatz are trademarks of J Schatz, Inc.

©2021 J Schatz. All Rights Reserved.