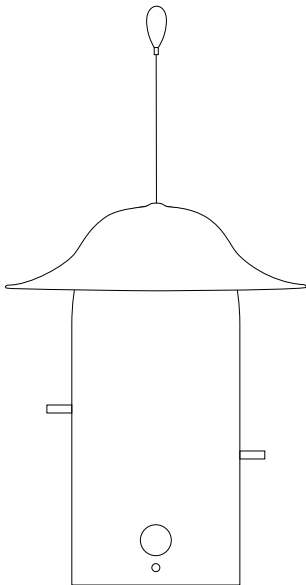


J SCHATZ

Bistro Bird Feeder
User Guide



INTRODUCTION

Your new Bistro Bird Feeder is easy to use.

The User Guide will help you:

Learn about the Bistro Bird Feeder Assembly & Included Parts

Hang the Bistro Bird Feeder

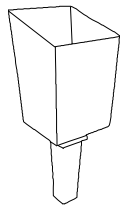
Fill the Bistro Bird Feeder with bird food

Care for the Bistro Bird Feeder

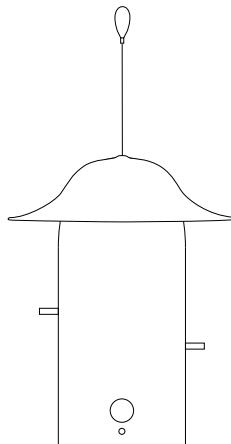
BISTRO BIRD FEEDER ASSEMBLY & INCLUDED PARTS

Your Bistro Bird Feeder arrives assembled and ready to hang and fill with black oil sunflower seeds, for optimal performance, or your favorite bird food using the included seed scoop. The stoneware feeding tube is suspended by a vinyl-coated wire that is sealed in the tube with a rubber washer and secured by an aluminum washer and button stop. The aluminum cover rests on top of the tube and is easily lifted to reveal the fill hole. Birds eat from the four holes positioned on each side of the tube.

View the assembly detail on the next page.



Seed Scoop



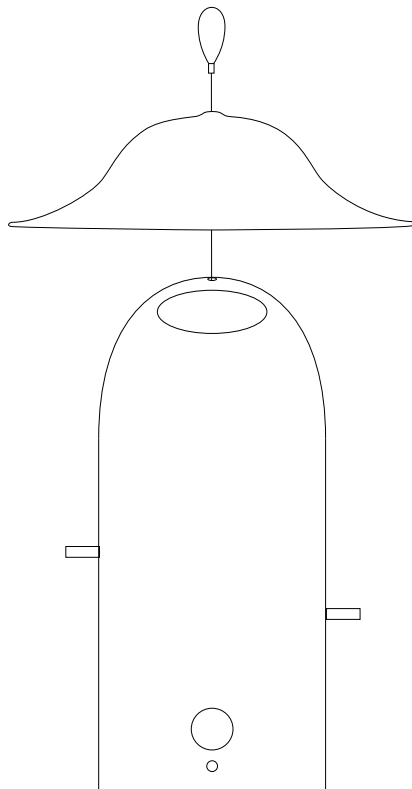
Bistro Bird Feeder

BISTRO BIRD FEEDER ASSEMBLY DETAIL

1 Vinyl Coated Hanging Wire sealed in Feeding Tube with a Rubber Washer and secured with an Aluminum Washer and Button Stop

1 Custom Spun Aluminum Cover easily lifted to reveal Fill Hole

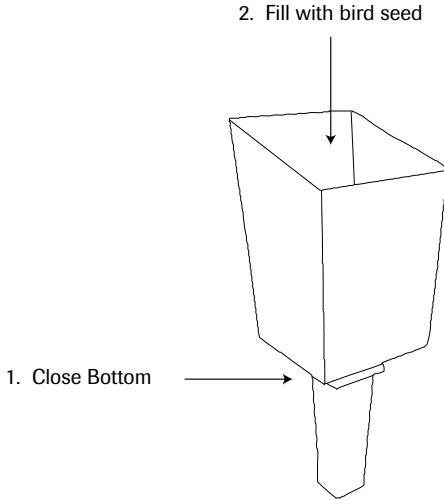
1 Stoneware Feeding Tube with Top Fill Hole, Four Feeding Holes, Four Aluminum Perch Poles and One Drainage Hole to prevent water accumulation



BISTRO BIRD FEEDER FILLING INSTRUCTIONS

STEP 1

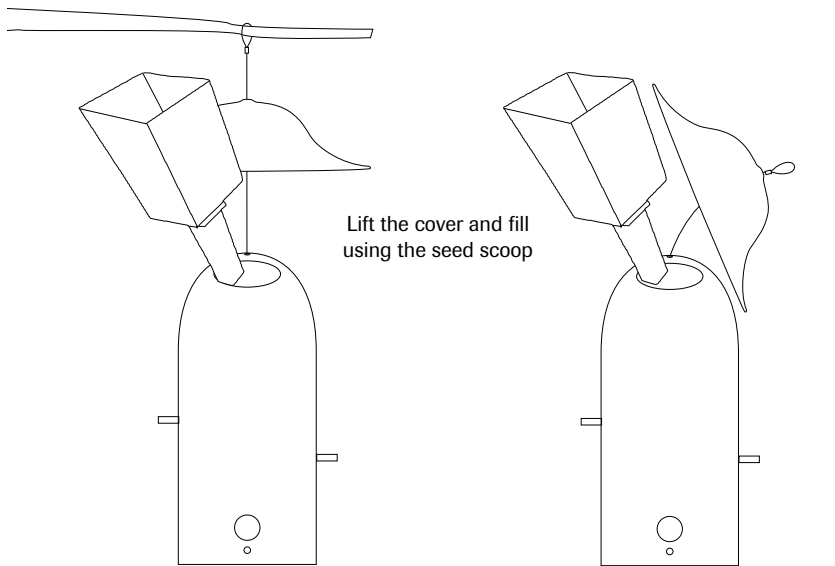
Fill the seed scoop with black oil sunflower seeds, for optimal performance, or your favorite bird food, making sure the closure on the bottom of the seed scoop is tightly closed. The easy to use seed scoop can be opened and closed with one hand, allowing you a free hand to lift the Bistro Bird Feeder cover when filling.



BISTRO BIRD FEEDER FILLING INSTRUCTIONS

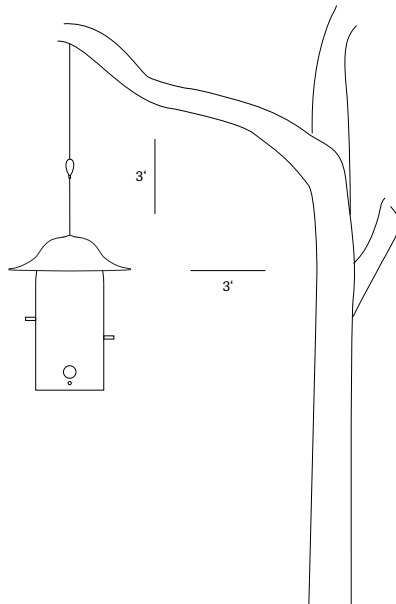
STEP 2

The Bistro Bird Feeder may be filled while hanging or resting on a tabletop. Simply lift the cover of the Bistro Bird Feeder and place the seed scoop at the opening and release the seed scoop closure to fill the feeder. The feeder holds 9 1/2 cups of seed. The Bistro Bird Feeder is designed to keep seed inside when full, but some spillage may occur during filling from the feeder holes. Slide the cover down over the fill hole after it is full and enjoy.



BISTRO BIRD FEEDER HANGING INSTRUCTIONS

Hang the Bistro Bird Feeder 3' from surrounding surfaces to prevent animals from eating from the feeder. Most animals will not be able to jump onto the slippery surface of the slick aluminum cover if hung at least 3' from surrounding surfaces. The aluminum cover also has a 1 3/4" overhang that prevents squirrels from reaching the feeding holes. The Bistro Bird Feeder hanging wire is 12" and will need to be connected to an additional length of wire to hang 3' from surrounding surfaces.



CARE FOR THE BISTRO BIRD FEEDER

Wipe clean stoneware and aluminum surfaces with a damp cloth. Once a month we recommend cleaning the feeder with a 10% bleach to water solution. Allow the solution to set on the feeder for ten minutes, drain off the solution, and then rinse thoroughly. Allow the feeder to completely dry before refilling it. If a feeder becomes moldy, scrub it thoroughly with the 10% bleach to water solution using a stiff brush. Once it is clean, clean the feeder as above. If you live in an area that freezes please make sure the interior of the Bistro Bird Feeder remains dry during the times of year when it freezes and thaws. Damage to the tube may occur during the freeze/thaw cycles if the interior is wet.



Wonder-Certified™

We certify that the products we make are inspired by wonder. Each day we arrive at the studio motivated to work hard and create exceptional pieces of ceramic ware. We live to capture beauty, be surprised, and solve creative problems with innovative designs. Most importantly, we love what we do. 28,000 wonder-certified ceramic products have been sold since 2004 to satisfied customers throughout all fifty states and around the world in 14 countries. Handmade with wonder in our Boothbay Harbor studio one piece at a time.

CUSTOMER SERVICE CALL 866-344-5267

Weekdays 9a.m. - 5p.m. EST

OR VISIT WWW.JSCHATZ.COM

Follow J Schatz on Instagram, Facebook, or Pinterest:

[instagram.com/jschatzstudio](https://www.instagram.com/jschatzstudio)

[facebook.com/jschatzstudio](https://www.facebook.com/jschatzstudio)

[pinterest.com/jschatzstudio/](https://www.pinterest.com/jschatzstudio/)

Wonder-Certified, and J Schatz are trademarks of J Schatz, Inc.

©2021 J Schatz. All Rights Reserved.