

## VOX-SIP Installation Guide

### Connections

#### Power

Connect the 5VDC power supply (micro USB connector).

#### Voice Out

Connect the 1/8" (3.5 MM) audio cable (included) to the audio out and connect it to the telephone input of the telephone paging amplifier.

#### Ethernet

Connect an Ethernet cable to the module in order to connect it to the network.

#### Music Out (USB Adapter)

The VOX-SIP can provide a music source (MP3 player or Internet Radio) if required. Connect the other 1/8" (3.5 MM) audio cable (also included) to the Music Out of the USB Adapter and connect it to the music input of the telephone paging amplifier.

#### Expansion Module

These 2 connectors gives the possibility to connect to a future expansion module.

#### Play IP Button

Pressing this button will play the device's IP address in the Voice Out port. Knowing the device's IP address is required to access the administration interface by typing the IP address in a web browser.

Pressing this button for more than 5 seconds will automatically restore the factory default settings. Warning: All configurations will be lost.

#### Relay Contacts

The module has relays than can operate under certain conditions. External devices can be connected to these contact closures. Each relay has 3 dedicated terminals on the terminal block (Normally Closed / Common / Normally Opened) The relays are the following:

Page Relay: This relay operates during a page or during an audio event like the master clock.

Night Ringer Relay: This relay operates when a ring condition is present on the night ringer SIP Extension.

Aux. Relay 1,2,3: These 3 auxiliary relays can be controlled via the web interface or based on master clock events.

#### Trigger Inputs

The VOX-SIP provides 4 trigger inputs that can be activated when a short condition is applied between any Trigger Input (1 to 4) and IN COM. These inputs can be connected to the contact closure of other equipment, door bell, etc. The trigger inputs are to be used to trigger a programmable event i.e., pre-recorded audio message or tone.

### LED Indicators

Power LED : Indicates the module is powered.

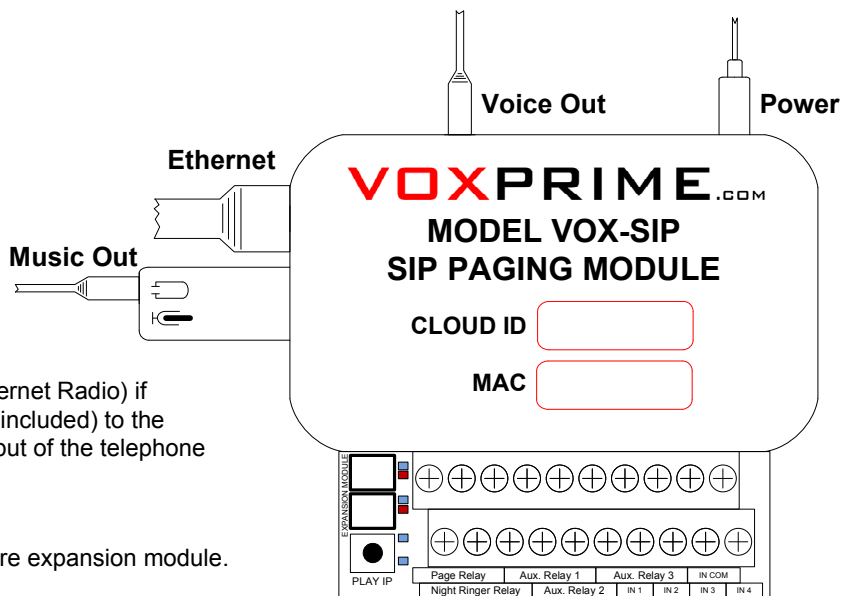
Internet LED: Indicates the module is connected to the Internet

SIP AND PAGE LEDs provide information related to the Page and Night Ringer SIP extensions as follow :

>OFF: Extension not enabled. >Solid Blue: Sip Extension is properly registered. >Flashing Blue: Active call

>Red fast blink (2 cycles per second): SIP error with SIP a 4XX status code (between 400 and 499) e.g., "401 Unauthorized".

>Red slow blink (1 cycle per second): SIP error with SIP a 5XX status code (between 500 and 599) e.g., "502 Bad Gateway".



### IMPORTANT NOTICE

Download our complete product manual PDF document at: [www.voxprime.com/manuals](http://www.voxprime.com/manuals)

If you require technical assistance during installation, please call us : 1-888-633-2666