

Cutting

We can do this for you, simply let us know the area you would like to cover.

If any localised trimming is required, we recommend the use of a jigsaw, preferably fitted with a tungsten carbide blade or alternatively an angle grinder with a diamond tipped cutting disc.

Should you wish to cut COBAGRiP® Sheet yourself, it can be easily cut to size using orbital cutting equipment with either a stone or

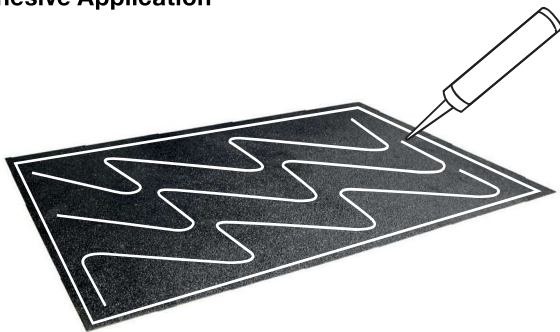
diamond blade. Cutting should be carried out externally or where there is dust extraction or suitable ventilation and appropriate protective equipment should be worn.

It's very important to wear PPE Safety Equipment at all times, when working with this product.

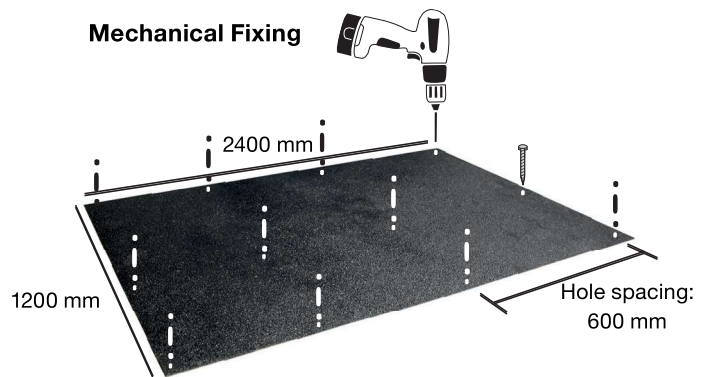
Fixing

1. We recommend a double fixing method for installing COBAGRiP® Sheet, consisting of a high strength bonding adhesive and mechanical fixing. Generally, adhesive should be enough to secure COBAGRiP® Stair Treads and Nosings into position, but a double fixing method can be used if desired.
2. We recommend the use of **FlexyFix** for bonding our COBAGRiP® product range. FlexyFix is suitable for bonding to concrete, wood, metal and steel. When applying adhesive to the underside of a COBAGRiP® product, run a 6mm bead of adhesive 25mm from all edges, as well as zigzag across the centre approx. 200mm apart.
3. Always ensure that the bolt length is slightly longer than the rawl plug length to obtain a good fixing. Put a little sealant in the hole to seal around the screws if a water tight seal is required.
4. If holes are to be drilled on site it is recommend to use a 4mm HSS masonry drill bit from the underside.

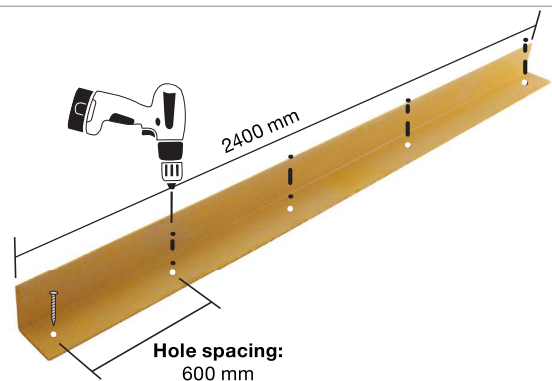
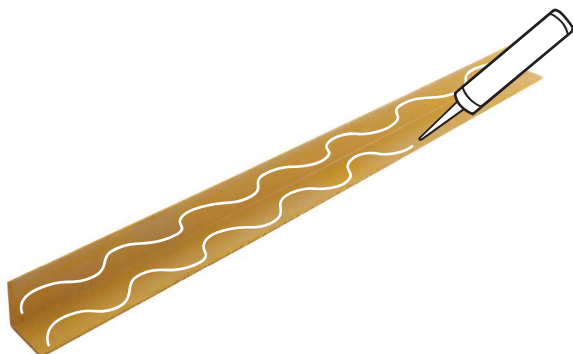
Adhesive Application



Mechanical Fixing



When fixing COBAGRiP® Sheet, drill holes in all 4 corners with additional holes for fixings approximately every 600 mm. Holes need to be located 70 mm away from the front edge and 60 mm from the back edge.



The fixing points for COBAGRiP® Stair Nosings need to start at either end of the Stair Nosing with additional fixings points approximately every 600 mm.