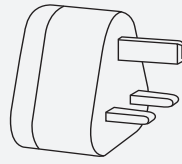


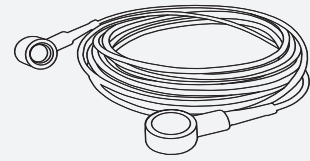
What you will need:

PremBubble Anti-Static Mat
Grounding Plug
Floor Mat Ground Wire

1. Grounding Plug



3. Floor Mat Ground Wire



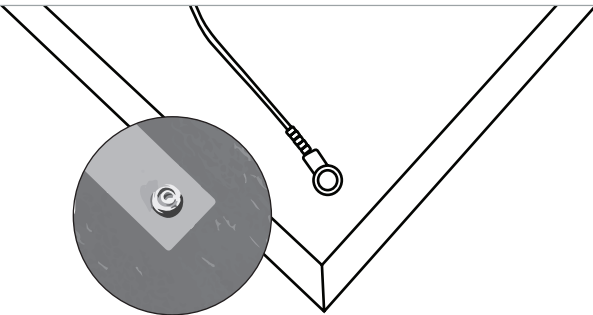
Electrostatic Discharge (or ESD) is the sudden release of electricity between two electrically charged objects, commonly referred to as static electricity. Please ensure you that have selected the appropriate floor mat for your workbench in line with resistance requirements. Electrical resistance is measured in ohms or shown as this symbol Ω .

1



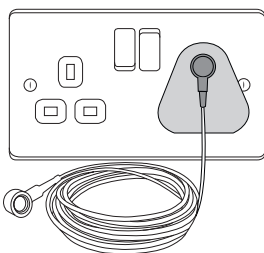
- To make the working environment ESD compliant the user should always wear a pair of heel grounders on their shoes, unless they have been supplied with ESD safety shoes.
- Heel grounders are fitted to the user's shoes to connect them to the mat. (Heel grounders can be ordered separately.)
- The strap goes on the laces, underneath the sole, and at the back. The fabric strip gets tucked into the users socks.

2



- The male stud is incorporated into the mat and attaches the Floor Mat with the Floor Mat Grounding Wire.

3



- Ensure the other end of the grounding wire is attached to the grounding plug. Then insert the plug to a 3 pin socket.
- Switch on the plug and you're ready to work on an ESD mat.