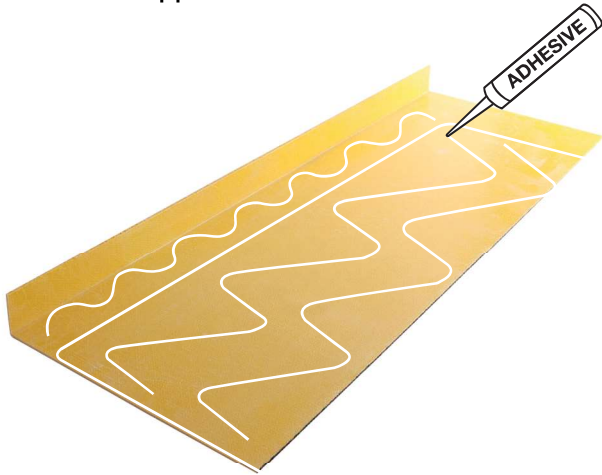
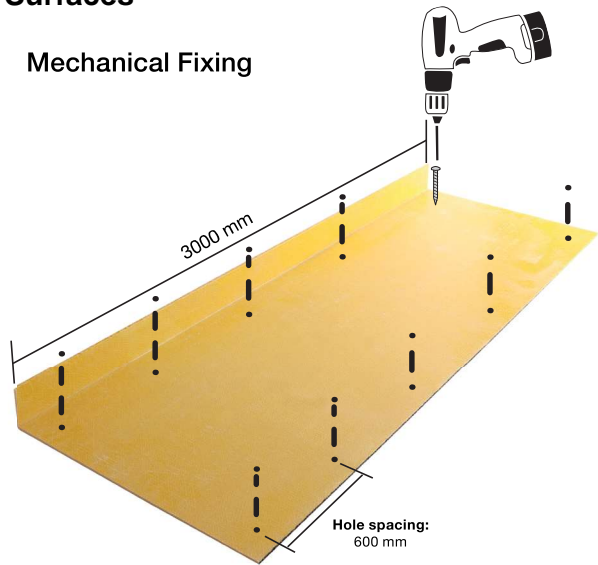


Fixing Anti-Slip Stair Treads on Concrete Surfaces

Adhesive Application

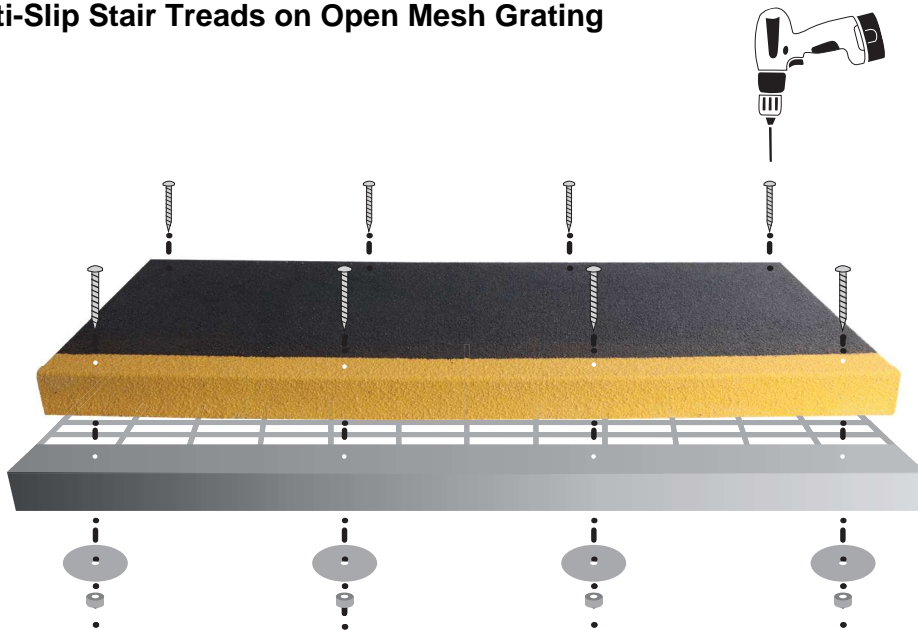


Mechanical Fixing



The fixing points for COBAGriP® Stair Treads need to be in all 4 corners, with additional holes for fixings approximately every 600mm. Holes will need to be drilled 70mm in from the front edge and 60mm in from the back edge.

Fixing Anti-Slip Stair Treads on Open Mesh Grating



Install using the same fixing points above, then use universal saddle clip assemblies with slotted truss head bolt, nut and lock washer (all stainless steel).

Disclaimer

These methods of installation make no claim to being comprehensive but should be used as a guide. Always employ safe practices. A risk assessment and method statement should always be prepared.

If in doubt please contact us:

Phone: 0121 702 1659 Email: info@firstmats.co.uk