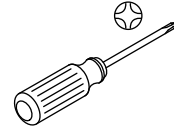
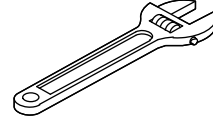




Stainless (Non-Staining) Plumbers Putty



Sealant Tape



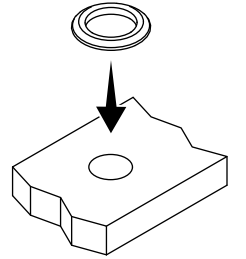
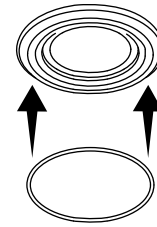
**Record your model number.**

**Important Information**  
Observe all local plumbing and building codes.

Do not use petroleum-based plumbers putty on marble or stone surfaces.

**1** Install the O-ring to the underside of the escutcheon.

**2** Place the escutcheon over the spout hole.



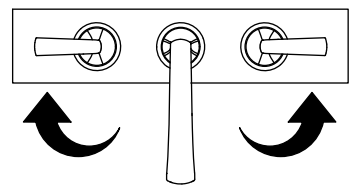
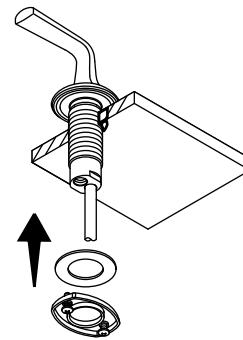
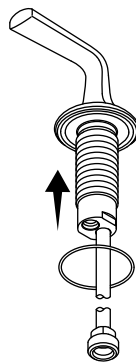
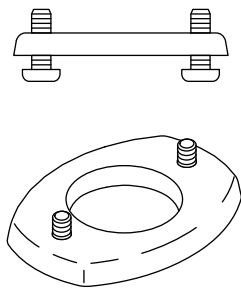
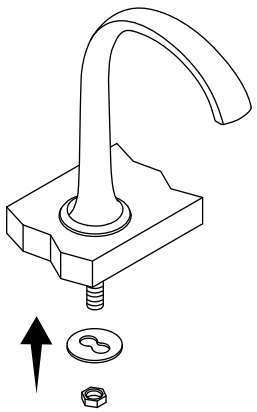
**3** Install and secure the faucet.

**4** Partially thread the screws into the rings.

**5** Install the O-ring. Install the handle.

**6** Install the washer and ring. Do not tighten the screws.

**7** Turn the handles to "Off." Align the handles. **Optional:** For Saint-Louis handles, align so the logo faces away from the spout.



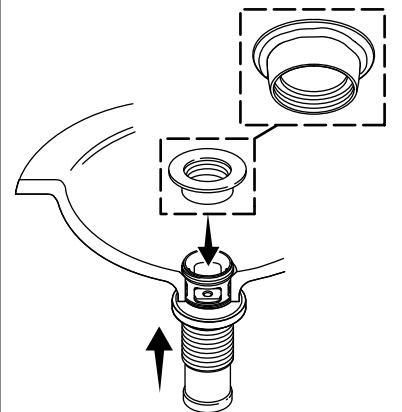
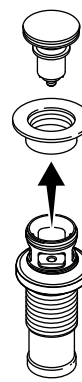
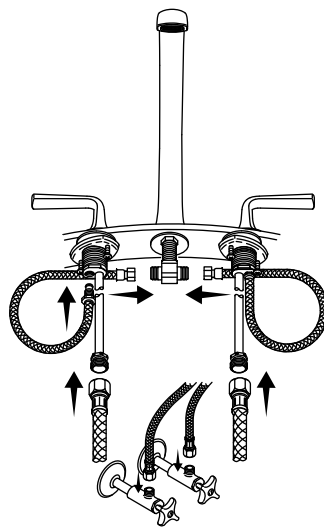
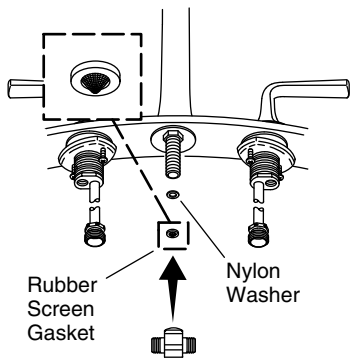
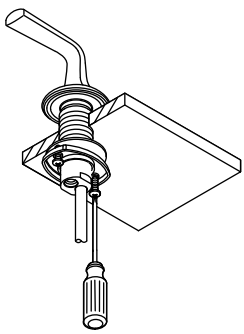
**8** Secure the handles.

**9** Install and tighten the tee with the screen cone down.

**10** Connect the hoses.

**11** Disassemble the drain.

**12** Apply plumbers putty to the flange and attach.

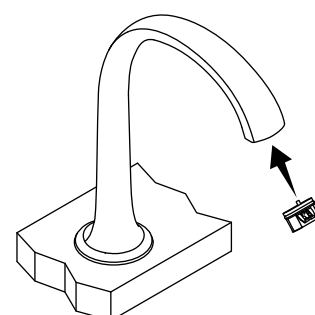
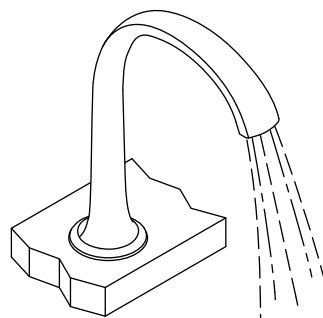
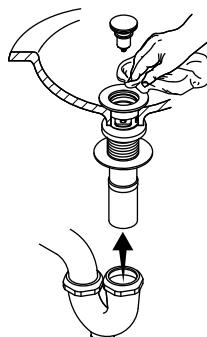
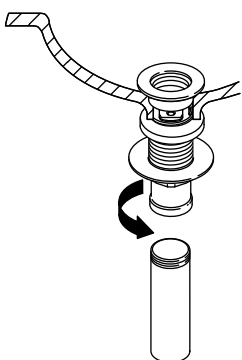


**13** Tighten the nut. Apply thread sealant to the drain pipe threads.

**14** Install the stopper. Connect the trapway. Wipe away excess putty.

**15** Turn on the water, flush the hoses, and check for leaks.

**16** Turn off the water. Install the aerator with the tab facing up.



Questions? Problems? For additional assistance, please contact  
KALLISTA's Customer Service Department at 1-888-4-KALLISTA  
(1-888-452-5547) or [kallista.com](http://kallista.com).