

FEATURES

- Solid brass construction for durability and reliability
- Allows bather to direct water flow
- Complements the Taper collection

CODES/STANDARDS APPLICABLE

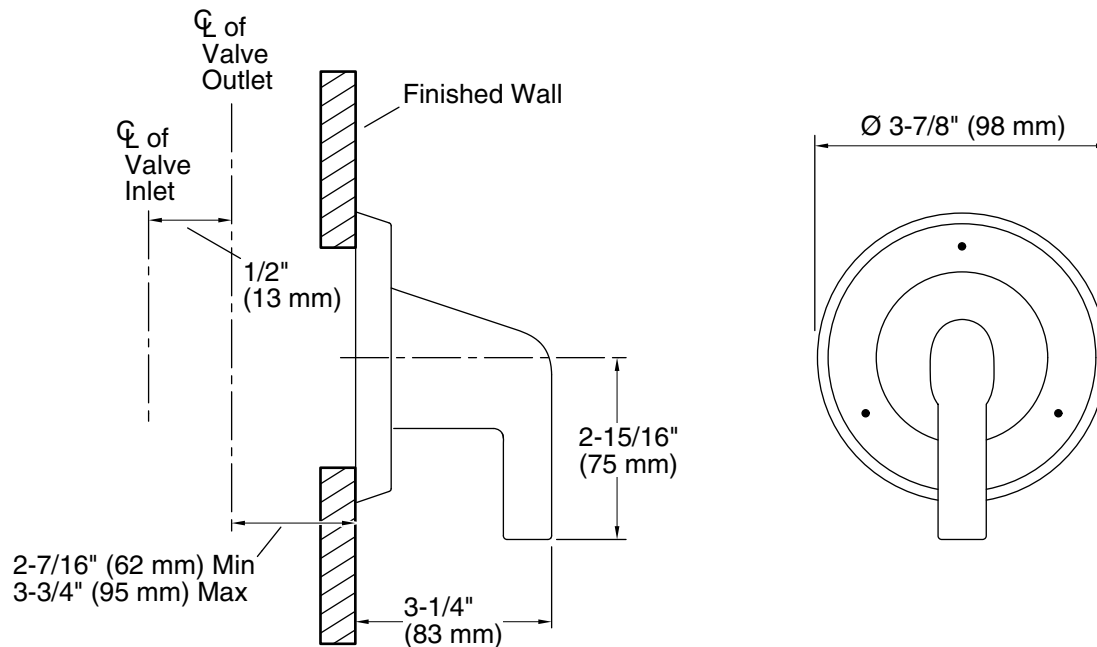
Specified model meets or exceeds the following:

- ASME A112.18.1/CSA B125.1
- ICC/ANSI A117.1
- ADA*
- CSA B651*
- OBC*



P24883

*Compliant when installed to the specific requirement of this regulation



SPECIFIED MODEL				
Model	Description	Finishes		
P24883-LV	Taper 3-Way Transfer Valve Trim, Lever Handle	<input type="checkbox"/> CP Polished Chrome	<input type="checkbox"/> AD Nickel Silver	<input type="checkbox"/> AG Brushed Nickel <input type="checkbox"/> GN Gunmetal
Required Rough-in				
P29513-00	3-Way Transfer Valve	<input type="checkbox"/> NA		
P29514-00	3-Way Transfer Valve, Eco	<input type="checkbox"/> NA		

We reserve the right to make revisions without notice in the design of products or in packaging unless this right has specifically been waived at the time the order is accepted.