

# KALLISTA®

## One™ Single-Control Sink Faucet

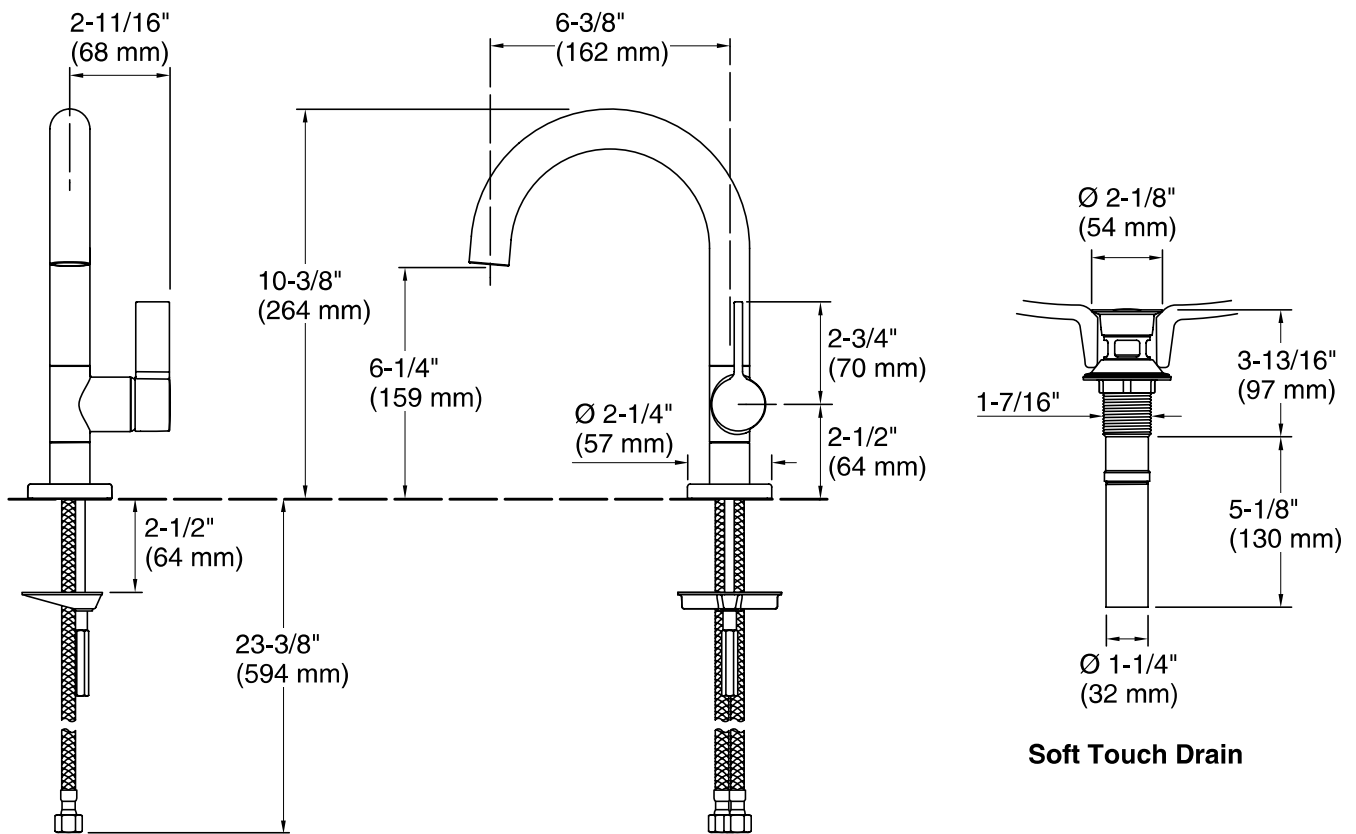
### FEATURES

- Solid metal construction for durability and reliability
- 1.2 gal/min (4.5 l/min) flow rate
- Single-hole mounting
- Includes Soft Touch drain
- Meets CalGreen requirements for basin faucets
- Complements the One collection

### CODES/STANDARDS APPLICABLE

- Specified model meets or exceeds the following:
- ASME A112.18.1/CSA B125.1
  - ICC/ANSI A117.1
  - NSF 61
  - ADA
  - EPA WaterSense®
  - All applicable US Federal and State material regulations

P24409



**Soft Touch Drain**

### INSTALLATION NOTES

	Hole Size (Min)	Deck Thickness (Max)
Faucet	1-1/8" (29 mm)	2-1/2" (64 mm)

### SPECIFIED MODEL

Model	Description	Finishes		
P24409-00	One Single-Control Sink Faucet	<input type="checkbox"/> CP Polished Chrome	<input type="checkbox"/> AD Nickel Silver	<input type="checkbox"/> AG Brushed Nickel
		<input type="checkbox"/> GN Gunmetal	<input type="checkbox"/> ULB Unlacquered Brass	<input type="checkbox"/> BL Matte Black

We reserve the right to make revisions without notice in the design of products or in packaging unless this right has specifically been waived at the time the order is accepted.