

### FEATURES

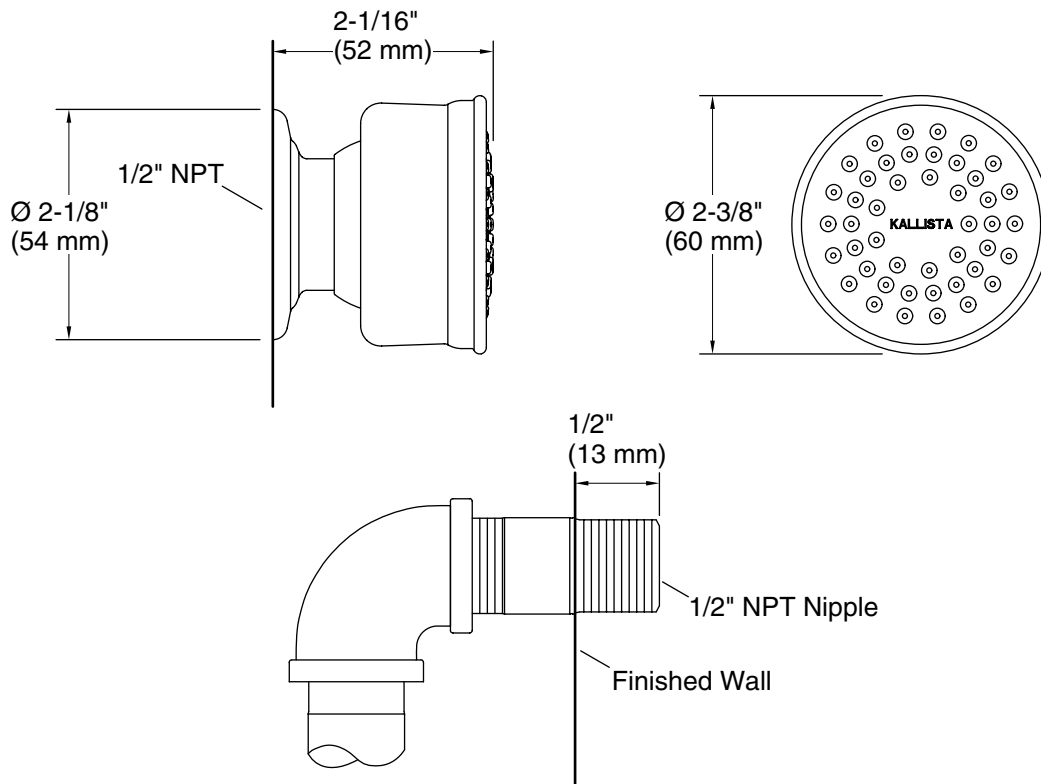
- Solid brass construction for durability and reliability
- Quarter-turn washerless ceramic disc valves
- Sprayhead pivots 25 degrees
- Features an internal volume control for complete shut-off
- No separate volume control valve and trim necessary
- Easy to clean sprayface resists mineral buildup
- 2.5 gal/min (9.5 l/min) and 1.5 gal/min (5.7 l/min) maximum flow rate available
- Complements Kallista faucets and fixtures

### CODES/STANDARDS APPLICABLE

Specified model meets or exceeds the following:

- ASME A112.18.1/CSA B125.1
- CEC Compliant (P22076-H Only)

## P22076



### SPECIFIED MODEL

Model	Description	Finishes		
P22076-00	TurnSpray Traditional Body Spray, 2.5 gal/min (9.5 l/min)	<input type="checkbox"/> CP Polished Chrome	<input type="checkbox"/> AD Nickel Silver	<input type="checkbox"/> AG Brushed Nickel
		<input type="checkbox"/> BV Brushed Bronze	<input type="checkbox"/> ULB Unlacquered Brass	
P22076-H	TurnSpray Traditional Body Spray, 1.5 gal/min (5.7 l/min)	<input type="checkbox"/> CP Polished Chrome	<input type="checkbox"/> AD Nickel Silver	<input type="checkbox"/> AG Brushed Nickel
		<input type="checkbox"/> BV Brushed Bronze	<input type="checkbox"/> ULB Unlacquered Brass	

We reserve the right to make revisions without notice in the design of products or in packaging unless this right has specifically been waived at the time the order is accepted.