

KALLISTA®

Deck-Mount Handshower Trim

INSTALLATION INSTRUCTIONS

P21653, P21663, P23127, P24026,
P24854

INSTALLATION INSTRUCTIONS

THANK YOU FOR CHOOSING KALLISTA

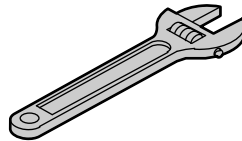
We appreciate your commitment to KALLISTA quality products. Please take a moment to review this manual before you install your KALLISTA product. If you encounter any installation or performance problems, please do not hesitate to contact us at the phone number listed at the bottom of the page.

BEFORE YOU BEGIN

NOTE: Plumbing codes may require a vacuum breaker be installed in-line to handshowers. Please consult with local plumbing codes.

- Please read all instructions before you begin.
- Observe all local plumbing and building codes.
- Inspect the supply piping for damage. Replace as necessary.
- KALLISTA reserves the right to make revisions in the design of products without notice, as specified in the Price Book.

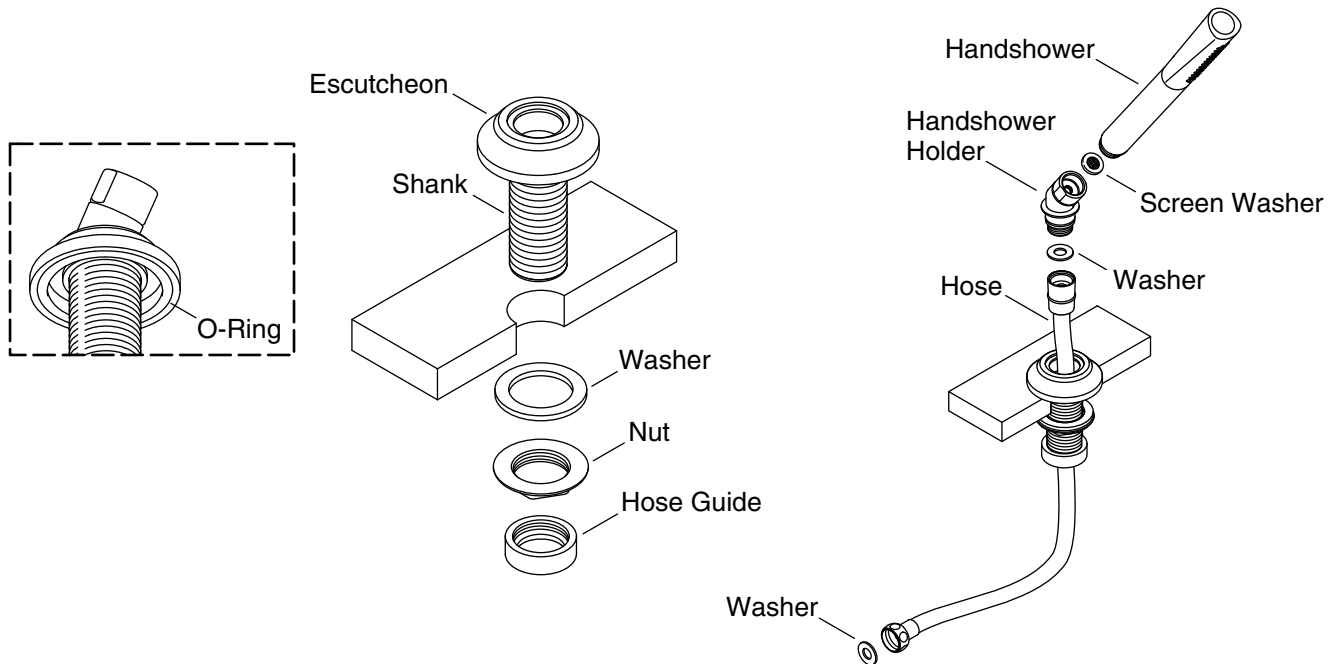
TOOLS AND MATERIALS



Adjustable Wrench

INSTALLATION INSTRUCTIONS

1. INSTALL THE MOUNTING BRACKET



- Insert the escutcheon shank through the hole of the deck. Ensure the O-ring is in the groove under the escutcheon.
- From underneath the deck, slide the washer and thread the nut onto the shank. Tighten the nut.
- Thread the hose guide onto the shank and handtighten.
- From the top of the bath or finished deck, insert the smaller end of the flexible hose through the escutcheon.
- From the underside of the bath or finished deck, insert one washer into the flexible hose.
- Tighten the flexible hose onto the water source.
- Run cold and hot water through the hoses to flush out dirt and debris.
- Insert a washer in the top end of the hose and thread the handshower holder onto the flexible hose.
- Insert a screen washer into the handshower holder and thread the handshower handle into the handshower holder.
- To avoid kinking, remove any twists or loops in the hose.
- Check for leaks and for smooth operation. Perform any necessary repairs or adjustments.