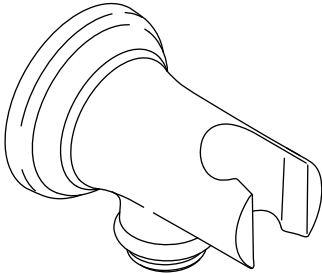
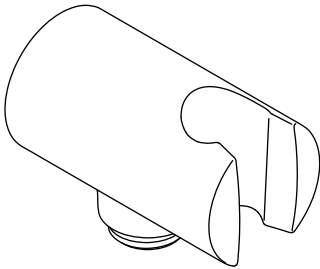


INSTALLATION INSTRUCTIONS



P21651



P21652

INSTALLATION INSTRUCTIONS

THANK YOU FOR CHOOSING KALLISTA

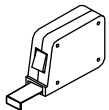
We appreciate your commitment to KALLISTA quality products. Please take a moment to review this manual before you install your KALLISTA product. If you encounter any installation or performance problems, please do not hesitate to contact us at the phone number listed at the bottom of the page.

BEFORE YOU BEGIN

NOTE: Plumbing codes may require a vacuum breaker be installed in-line to handshowers. Please consult with local plumbing codes.

- Carefully plan the location of the wall bracket to avoid the possibility of the handshower hose interfering with the operation of any faucets and/or drains, etc.
- Please read all instructions before you begin.
- Observe all local plumbing and building codes.
- Shut off the water supply.
- Inspect the supply piping for damage. Replace as necessary.
- KALLISTA reserves the right to make revisions in the design of products without notice, as specified in the Price Book.

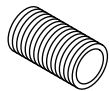
TOOLS AND MATERIALS



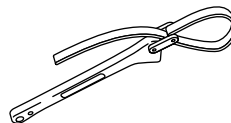
Tape Measure



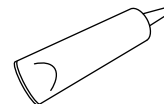
Sealant Tape



1/2" NPT Nipple



Strap Wrench



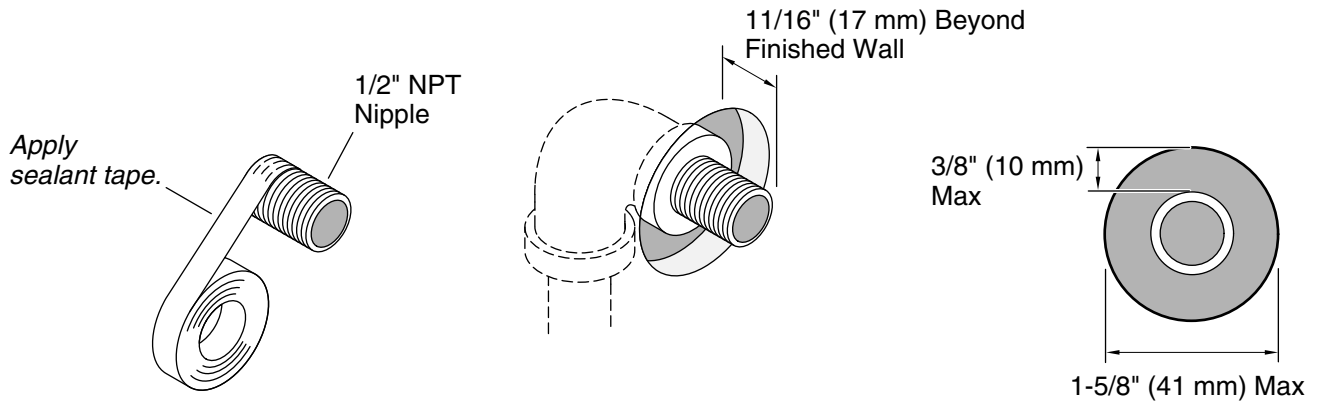
Clear Sealant



Rags

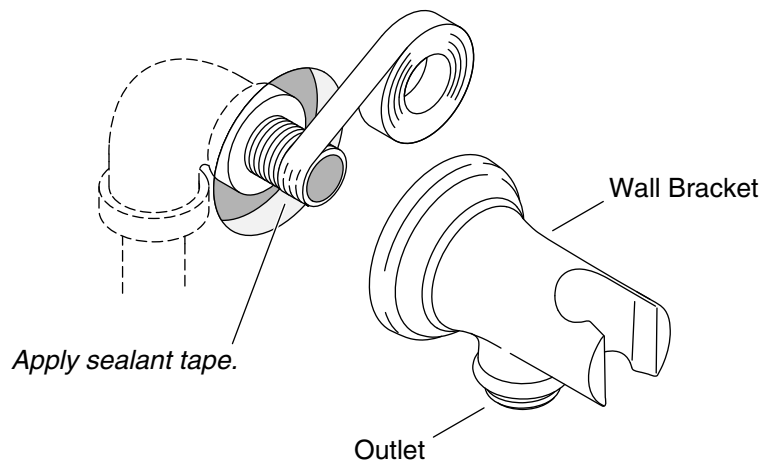
INSTALLATION INSTRUCTIONS

1. INSTALL THE PIPE NIPPLE



- Apply sealant tape to one end of a 1/2" NPT nipple.
- Install the nipple to extend 11/16" (17 mm) beyond the finished wall.
- Ensure the gap between the nipple and finished wall is no more than 3/8" (10 mm).

2. INSTALL THE WALL BRACKET



- Apply sealant tape to the exposed threads of the nipple.
- Thread the wall bracket onto the nipple.
- Using a clean strap wrench, tighten the bracket flush to the wall with the outlet oriented down.
- Apply a bead of clear sealant around the perimeter of the bracket.
- Turn on the water and allow water to flow through the bracket to flush out debris.
- Check connection for leaks. Repair as needed.