

FEATURES

- Brass construction for durability and reliability
- Allows user to direct water flow
- Pairs with a 2- or 3-way transfer valve configuration
- Single lever handle controls flow to outlets
- 120 degree handle rotation with 2-outlet operation
- 360 degree handle rotation with 3-outlet operation
- Unlacquered Brass (ULB): available only in North America and United Kingdom
- Complements the Central Park West collection

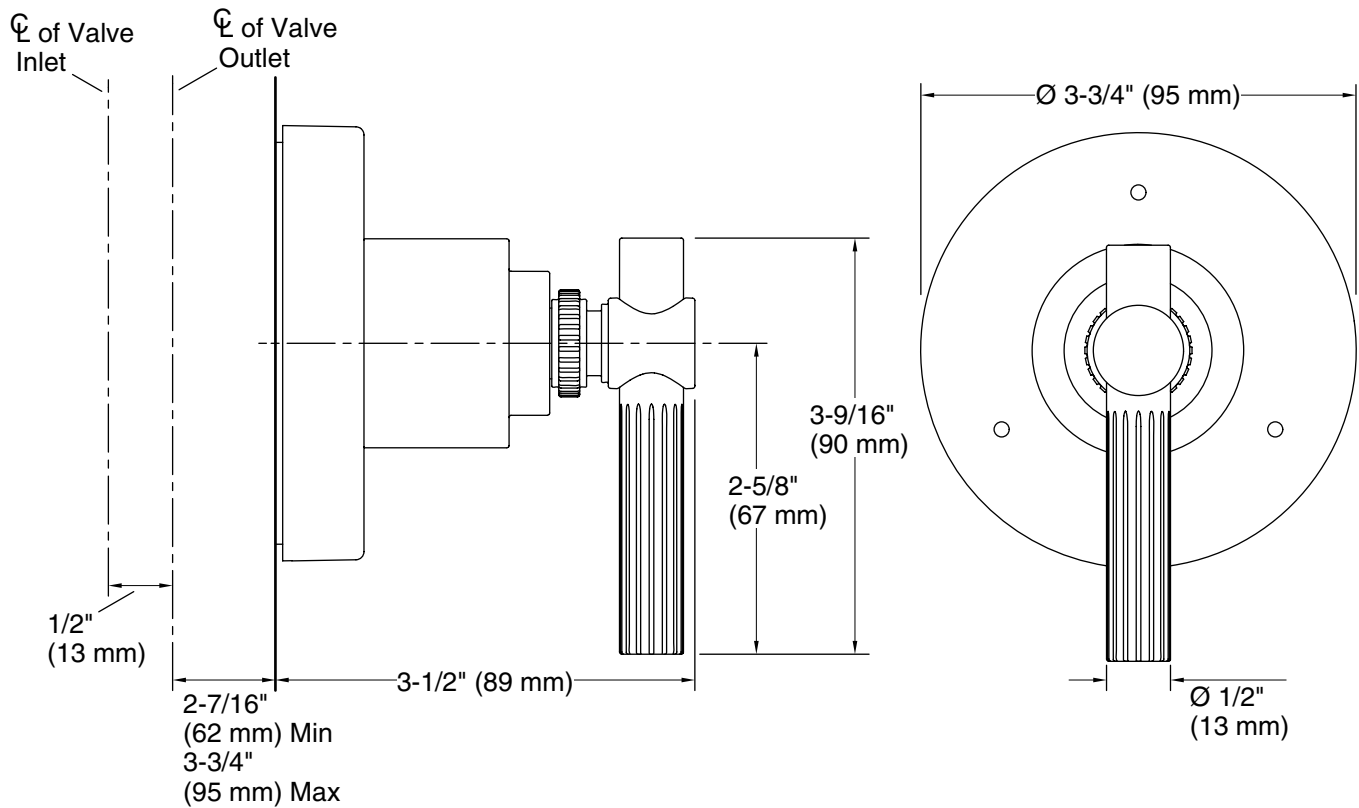
CODES/STANDARDS APPLICABLE

Specified model meets or exceeds the following:

- ASME A112.18.1/CSA B125.1
- ICC/ANSI A117.1
- ADA*
- OBC*
- CSA B651*

* Compliant when installed to the specific requirement of this regulation

P21385



SPECIFIED MODEL

Model	Description	Finishes			
P21385-LV	Central Park West Transfer Trim, Lever Handle	<input type="checkbox"/> CP Polished Chrome	<input type="checkbox"/> SN Polished Nickel	<input type="checkbox"/> ULB Unlacquered Brass	<input type="checkbox"/> BV Brushed Bronze
Required Rough-In					
P29513-00	Transfer Valve	<input type="checkbox"/> NA			
P29514-00	Transfer Valve, Eco	<input type="checkbox"/> NA			

We reserve the right to make revisions without notice in the design of products or in packaging unless this right has specifically been waived at the time the order is accepted.