

FEATURES

- Brass construction for durability and reliability
- Patented K-joint installation ensures consistent trim appearance, regardless of variability in valve rough-in
- Single handle allows for temperature setting
- Unlacquered Brass (ULB): available only in North America and United Kingdom
- Complements the Central Park West collection

CODES/STANDARDS APPLICABLE

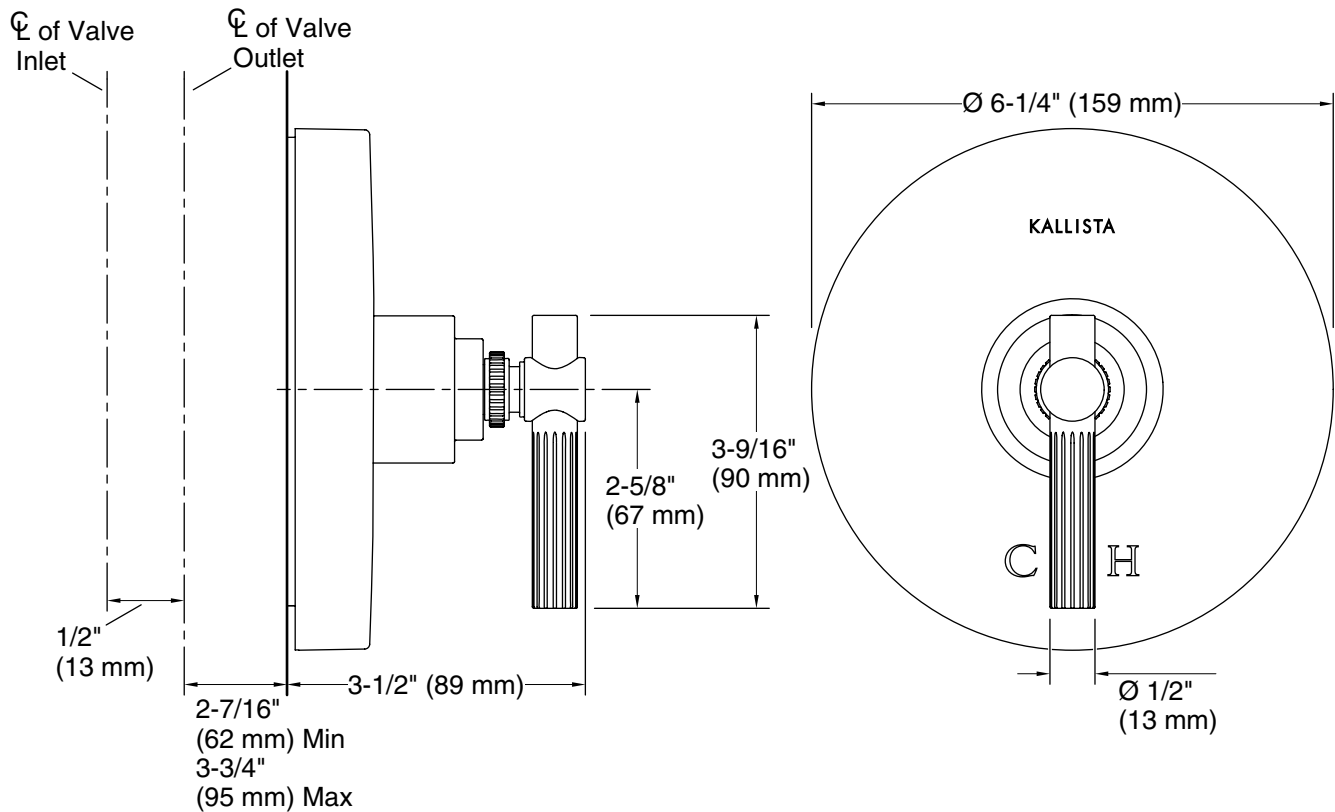
Specified model meets or exceeds the following:

- ASME A112.18.1/CSA B125.1
- ICC/ANSI A117.1
- ADA*
- OBC*
- CSA B651*

* Compliant when installed to the specific requirement of this regulation

P21383

ADA	CSA B651	OBC
------------	-----------------	------------



SPECIFIED MODEL					
Model	Description	Finishes			
P21383-LV	Central Park West Thermostatic Trim, Lever Handle	<input type="checkbox"/> CP Polished Chrome	<input type="checkbox"/> SN Polished Nickel	<input type="checkbox"/> ULB Unlacquered Brass	<input type="checkbox"/> BV Brushed Bronze
Required Rough-In					
P29511-WS	1/2" Thermostatic Mixing Valve	<input type="checkbox"/> NA			
P29512-WS	3/4" Thermostatic Mixing Valve	<input type="checkbox"/> NA			

We reserve the right to make revisions without notice in the design of products or in packaging unless this right has specifically been waived at the time the order is accepted.