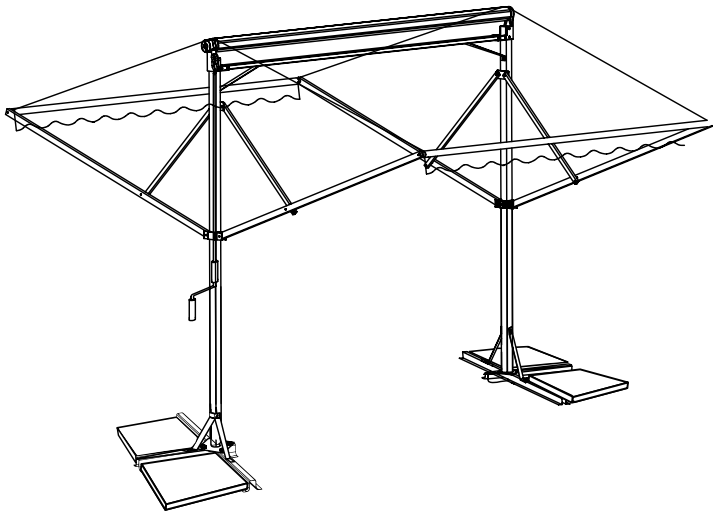


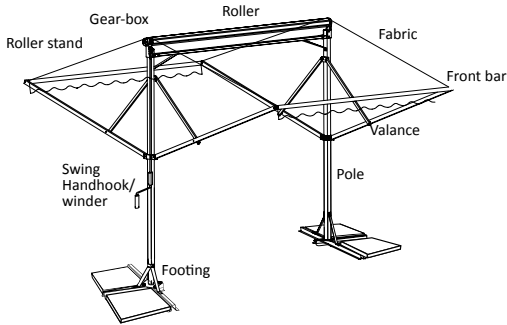
## Awning Instructions

# Doublesided



## Double Sided Awning Instructions

### Contents



### Warning

We recommend that two people are required to assemble this awning.

The awning and frame may be supplied with a plastic wrapper. This should be removed prior to use.

Plastic bags can be dangerous to children and babies. Keep out of the reach of babies and children to avoid the risk of suffocation.

Before assembly, check that all parts are contained within the box. If any parts are found to be damaged or missing, please contact your retailer.

We recommend installing your double sided awning into the ground to prevent the awning from collapsing over.

Securely bolt the bases into concrete slabs, your awning can be bolted onto railway sleepers, wooden decking, garden slabs etc.

### Guarantee

This awning is guaranteed against faulty parts and workmanship for one year from the date of delivery. Faulty parts will be replaced or exchanged within that period. The guarantee covers domestic use only.



## Assembling Double Sided Awning

1.

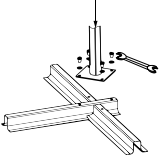


Fig 1. Connect the pole and footstand using M8x16mm bolts. Repeat the process for the other footstand.

2.

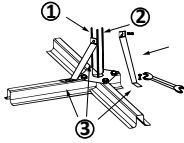


Fig 2. Connect the side pole ① with the pole using M8x55mm bolts, using M8x68 for side pole ②, using M8x16 for side pole ③.

3.

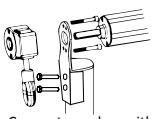
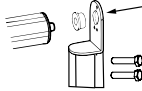


Fig 3. Connect gear box with roller stand using M6x40mm bolts, then insert the square shaft into gear box. Repeat same process and connect the other side.



4.

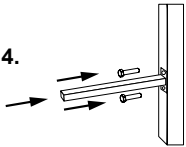


Fig 4. Connect the square bar with the pole using M8x55mm bolts.

5.

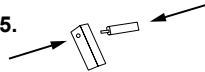


Fig 5. Connect the arm with the end of the front bar. Repeat the same process to connect the other side.

6.

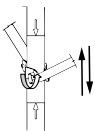


Fig 6. Adjust the height/angle arm by loosening the screw. Once the height is set, tighten up the screw.

## How far out can the awning open?

With the double sided manual awnings, you can control the position of the awning by simply winding out as far you want to go. The awning will hold at whichever position you wind to.

## General care & precautions

Once the awning is installed, it is important to note how to properly care for the components, to make your awning work as long and efficiently as it can. The awnings are constructed from weather resistant powder-coated metal and hard-wearing polyester fabric, and are designed to give many years of service. Stains and bird droppings etc. can easily be washed or sponged away and should not be left for prolonged periods. The awning should always be retracted in severe weather conditions.

The hook shaft, gearbox and joints on awnings should be sprayed with silicone in order to lubricate (every 4-6 months). WD-40 can also be used instead of silicone.

Framework of the awning should be cleaned at least once every year, with a soft cloth or sponge and warm water.

Fabric on the awning should be cleaned at the very least once every year. By using a mild detergent with warm water and a sponge or soft cloth, the fabric can be wiped and marks can be removed making the awning look like new.

