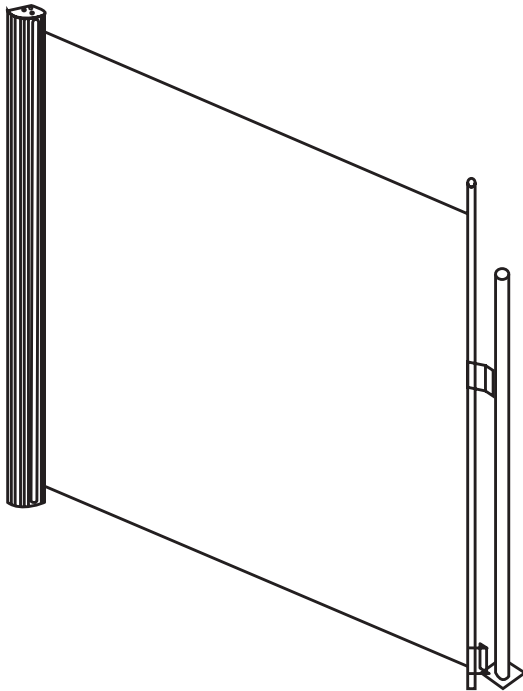


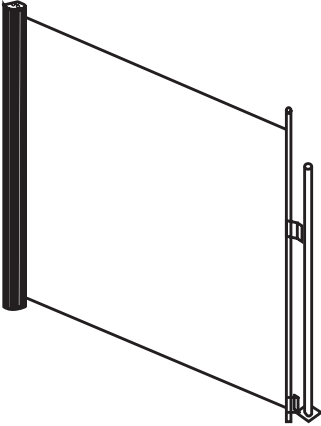
## Awning Instructions

# Retractable Manual Side Wind Screen Awning



## Retractable Manual Side Wind Screen Awning

### Contents



- 1 x Awning
- 1 x Standing pole
- 2 x Wall brackets
- 4 x M6 Internal Expansion bolts
- 4 x M6 Bolts
- 4 x M8 Internal Expansion bolts
- 4 x M8 Bolts
- 4 x M5 Secure screws

### Suggested Tools

- 8mm Hammer drill
- 10mm Hammer drill
- Chalk or pencil to mark
- Adjustable spanner

### Warning

These installation instructions are intended for trained fitters and electricians.

Read them carefully before installing the awning as well as our general safety instructions.

The awning may be supplied with a plastic covering, which is dangerous to children and babies. Keep out of the reach of children and babies to avoid the risk of suffocation.

Fixing must be directly into brick or concrete, make sure it's secure enough to bolt into.

Check the goods supplied for completeness and shipping damage before beginning installation.

The awnings may be installed on wooden walls if the wall is sufficiently strong. Use appropriate screw-threaded or coach bolts.

### Guarantee

This awning is guaranteed against faulty parts and workmanship for one year from the date of delivery. Faulty parts will be replaced or exchanged within that period. The guarantee covers domestic use only.



## Step 1. Installing the awning

1. Remove the protective covering and check all parts are present.
2. Mark wall brackets site where it is to be attached, Both brackets are to be installed with a 20~30 cm gap to the outer edges of the cassette awning, then drill holes by 8mm hammer drill, and putting into the internal expansion bolts.
3. Fasten the brackets vertically above one another. They must be mutually aligned. (plumb line).
4. Attach the cassette in the brackets and tighten the M5 securing screws.
5. Mark the position of the tension sectioning fastening

## Step 2. Installing the standing pole

1. Marking the site where the standing pole should be, it's 3m between the end of cassette and the edge of the pole plate, see Diagram 5.
2. Drill hole by 10mm hammer drill, and putting into M8 internal expansion bolts.
3. Fasten the standing pole.

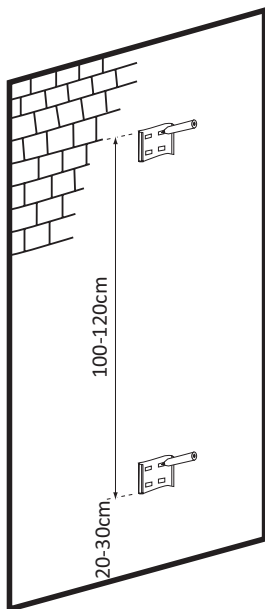
### 4. Safety note

Caution. Awning under tension. Keep a good hold of the handle when extending.

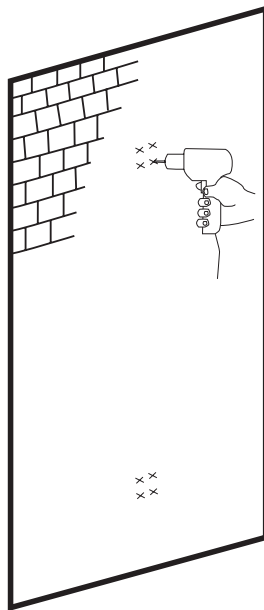
### 5. Important

Hand over the attached Operating Instructions to the awning user and advise him or her comprehensively on awning safety and use.

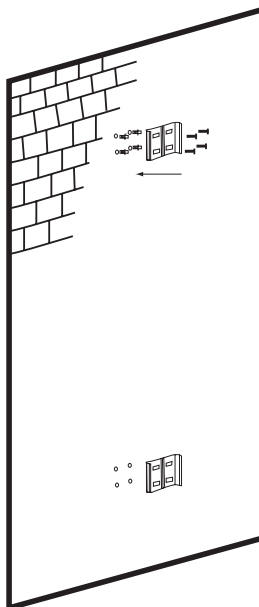
1.



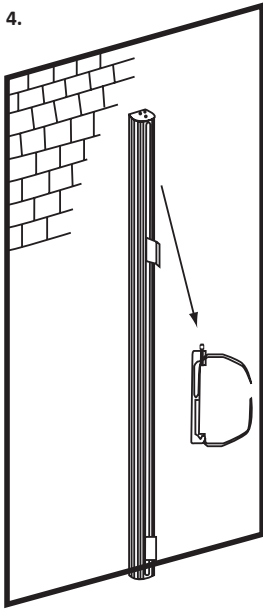
2.



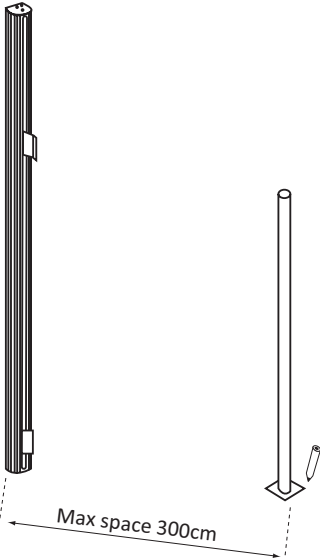
3.



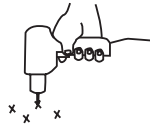
4.



5.



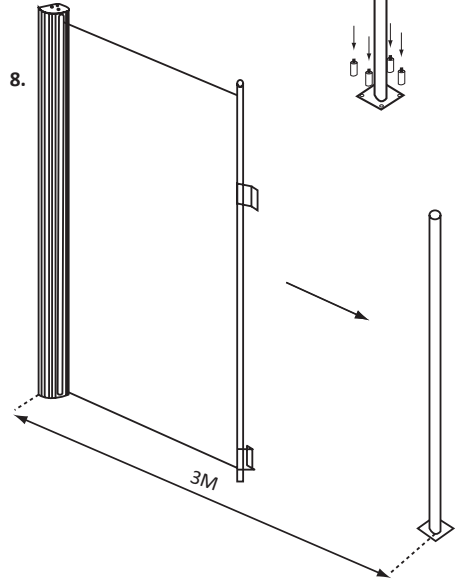
6.



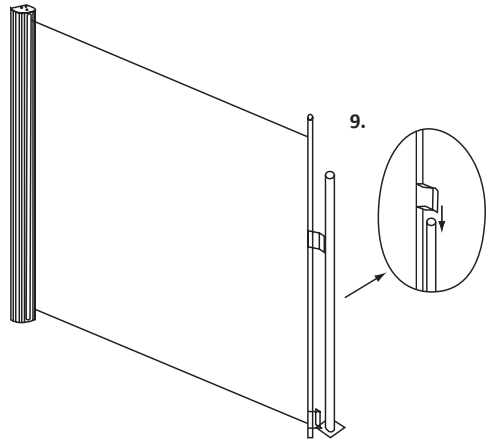
7.



8.



9.



## General care & precautions

Once the awning is installed, it is important to note how to properly care for the components, to make your awning work as long and efficiently as it can. The awnings are constructed from weather resistant powder coated metal and hard-wearing polyester fabric, and are designed to give many years of service. Stains and bird droppings etc. can easily be washed or sponged away, and should not be left for prolonged periods. The awning should always be retracted in severe weather conditions.

The hook shaft, gearbox and joints on awnings should be sprayed with silicone in order to lubricate (4-6 months). WD-40 can also be used instead of silicone.

Framework of the awning should be cleaned at least once every year, with a soft cloth or sponge and warm water.

Fabric on the awning should be cleaned at the very least once every year. By using a mild detergent with warm water and a sponge or soft cloth, the fabric can be wiped and marks can be removed making the awning look like new.

The fabric is made from hard wearing, waterproof, rot-proof, PU and UV stabilised 300gsm polyester and is easy to sponge clean. It is 100% waterproof fabric so you can cover up your awning on wet winter days.

**Please note:** Have the awning at an angle to allow rain water to run off.