

Standard and Heavy Duty Twin Assemblies

Tube/Pipe/Hose Clamp Assemblies

Standard and Heavy Duty Twin Assembly

Standard Twin Assembly



Group	DNP Assembly Part#	Pipe/Tube Size	Assembly Dimensions (mm)			
			L1	L2	H	W
CF1	CF1-6.4-CS-A	1/4" Tube	37	20	33	30
	CF1-8-CS-A	5/16" Tube				
	CF1-9.5-CS-A	3/8" Tube				
	CF1-10-CS-A	1/8" Pipe				
	CF1-12-CS-A	12mm				
CF2	CF2-12.7-CS-A	1/2" Tube	55	29	35	30
	CF2-13.5-CS-A	3/4" Pipe				
	CF2-14-CS-A	14mm				
	CF2-15-CS-A	15mm				
	CF2-16-CS-A	5/8" Tube				
CF3	CF3-19-CS-A	3/4" Pipe	70	36	45	30
	CF3-20-CS-A	20mm				
	CF3-21.3-CS-A	1/2" Pipe				
	CF3-22-CS-A	7/8" Tube				
	CF3-25-CS-A	25mm				
CF4	CF4-26.9-CS-A	3/4" Pipe	85	45	50	30
	CF4-28-CS-A	28mm				
	CF4-30-CS-A	30mm				
CF5	CF5-32-CS-A	1-1/4" Tube	110	56	61	30
	CF5-33.7-CS-A	1" Pipe				
	CF5-35-CS-A	35mm				
	CF5-38-CS-A	1-1/2" Tube				

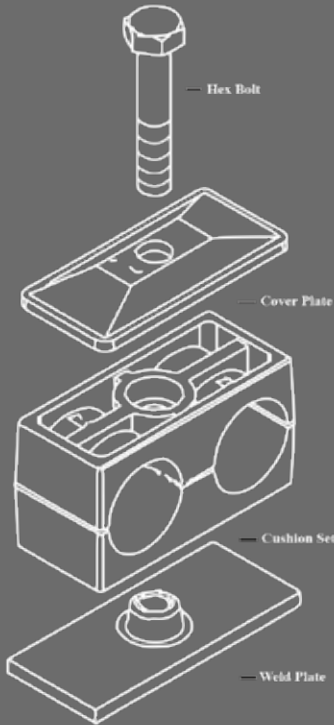
- Other sizes available upon request
- Stainless Steel add SS to part #
- Internal surface of clamp body knurled from C1-C7 and profiled from CS-C9.

Heavy Duty Twin Assembly

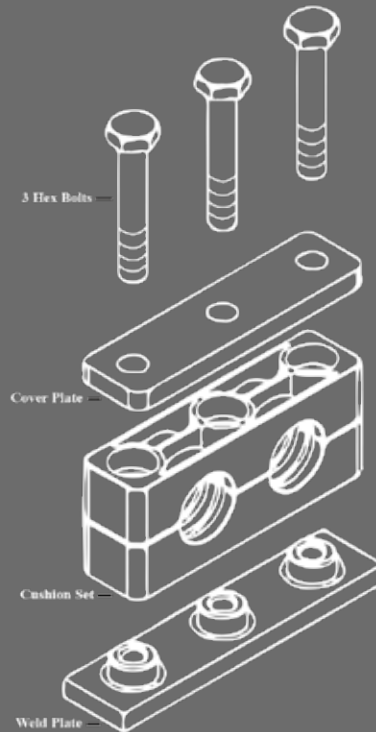


- Other sizes available upon request
- Stainless Steel add SS to part #

Standard Assembly Includes



Heavy Duty Assembly Includes



Group	DNP Assembly Part#	Pipe/Tube Size	Assembly Dimensions (mm)			
			L1	L2	H	W
CPT2	CPT2-19-CS-A	3/4" Tube	130	90	64	30
	CPT2-21.3-CS-A	1/2" Pipe				
	CPT2-25.4-CS-A	1" Tube				
	CPT2-26.9-CS-A	3/4" Pipe				
CPT3	CPT3-32-CS-A	1-1/4" Tube	160	120	76	30
	CPT3-33.7-CS-A	1" Pipe				
	CPT3-38-CS-A	1-1/2" Tube				
	CPT3-42-CS-A	1-1/4" Pipe				

- Internal surface clamp body profiled