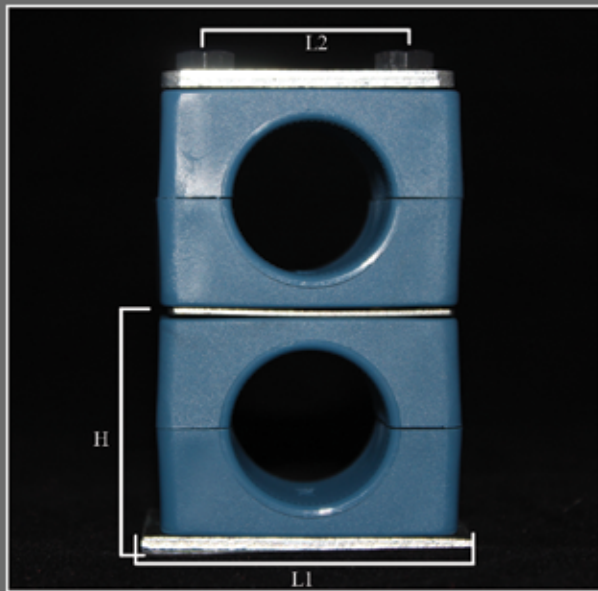


Standard Series Stacking Assembly

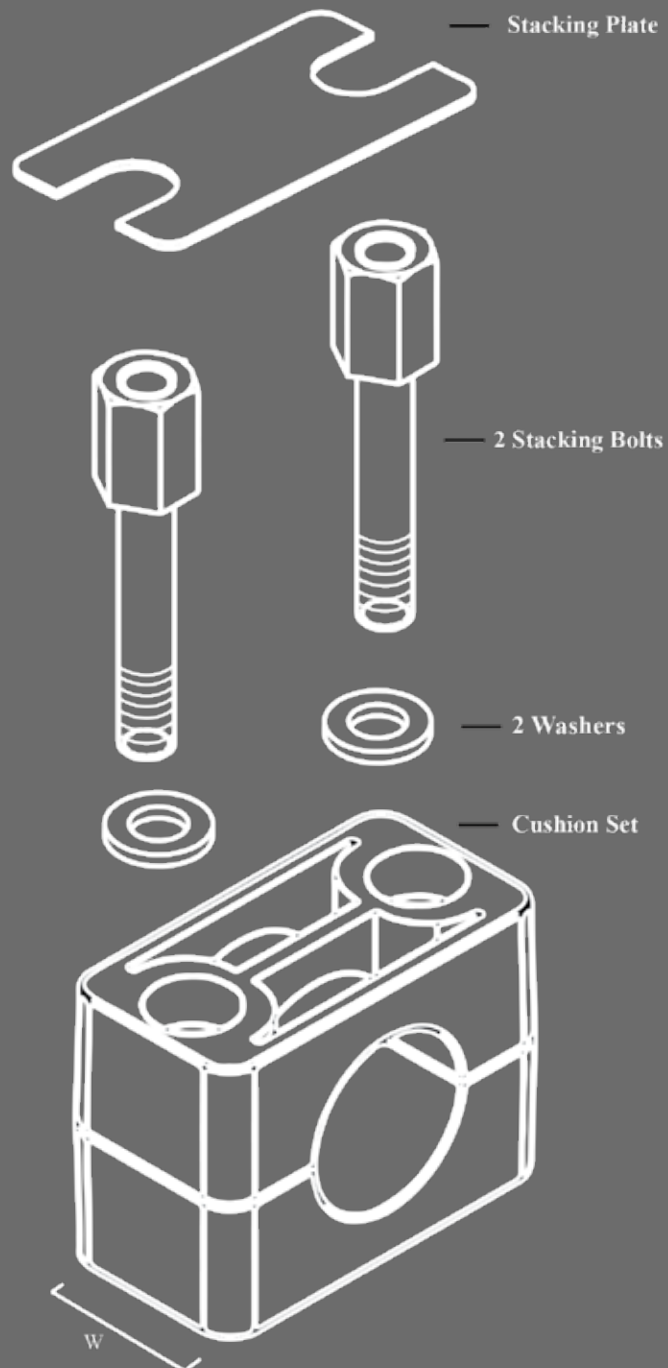
Tube/Pipe/Hose Clamp Assemblies

Standard Series Stacking Assembly



Group	DNP Assembly Part#	Pipe/Tube Size	Assembly Dimensions (mm)			
			L1	L2	H	W
C1	C1-6-CS-SA	6mm	32	7.6	33	30
	C1-6.4-CS-SA	1/4" Tube				
	C1-8-CS-SA	5/16" Tube				
	C1-9.5-CS-SA	3/8" Tube				
C2	C2-10-CS-SA	1/8" Pipe	41	20	33	30
	C2-12-CS-SA	12mm				
	C2-12.7-CS-SA	1/2" Tube				
C3	C3-13.5-CS-SA	1/4" Pipe	47	26	39	30
	C3-14-CS-SA	14mm				
	C3-15-CS-SA	15mm				
	C3-16-CS-SA	5/8" Tube				
	C3-17.2-CS-SA	3/8" Pipe				
C4	C4-19-CS-SA	3/4" Tube	54	33	42	30
	C4-20-CS-SA	20mm				
	C4-21.3-CS-SA	1/2" Pipe				
	C4-22-CS-SA	7/8" Tube				
	C4-25-CS-SA	25mm				
C4-25.4-CS-SA	1" Tube					
C5	C5-26.7-CS-SA	3/4" Pipe	61	40	48	30
	C5-28-CS-SA	28mm				
	C5-29-CS-SA	29mm				
	C5-30-CS-SA	30mm				
	C5-32-CS-SA	1-1/4" Tube				
C6	C6-33.7-CS-SA	1" Pipe	73	52	64	30
	C6-35-CS-SA	35mm				
	C6-38-CS-SA	1-1/2" Tube				
	C6-42-CS-SA	1-1/4" Pipe				
C7	C7-44.5-CS-SA	1-3/4" Tube	88	66	72	30
	C7-48.3-CS-SA	1-1/2" Pipe				
	C7-50.8-CS-SA	2" Tube				

Assembly Includes



- * C1 assembly requires only 1 bolt
- Other size polypropylene cushion sets available upon request.
- Stainless steel hardware available upon request.
- Internal surface of clamp body knurled from C1-C7 and profiled from C8-C9