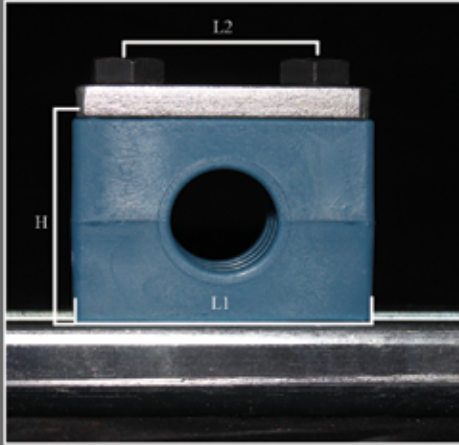


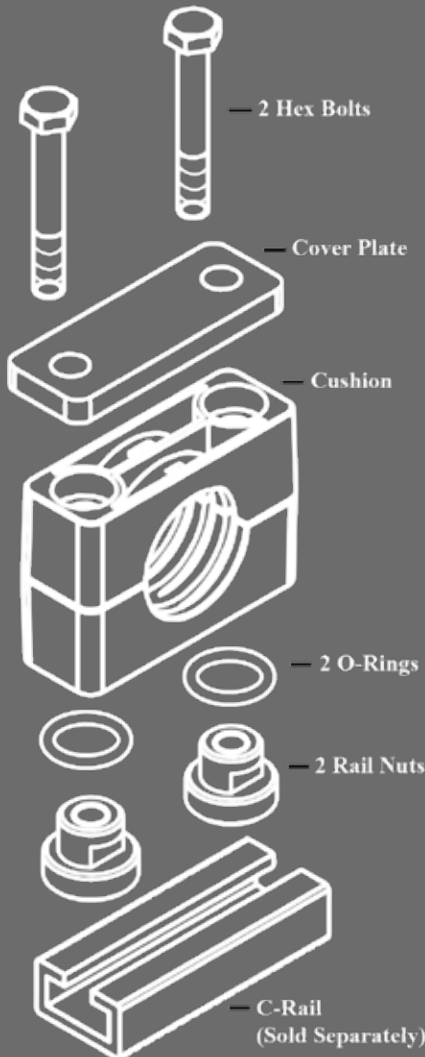
Heavy Duty Series Rail Nut Assembly

Tube/Pipe/Hose Clamp Assemblies

Heavy Duty Series Rail Nut Assembly



Assembly Includes



Group	DNP Assembly Part#	Pipe/Tube Size	Assembly Dimensions (mm)			
			L1	L2	H	W
CP1	CP1-6.4-CS-RNA	1/4" Tube	74	33	49	30
	CP1-8-CS-RNA	5/16" Tube				
	CP1-9.5-CS-RNA	3/8" Tube				
	CP1-10-CS-RNA	1/8" Pipe				
	CP1-12-CS-RNA	12mm				
	CP1-12.7-CS-RNA	1/2" Tube				
	CP1-13.5-CS-RNA	1/4" Pipe				
	CP1-15-CS-RNA	15mm				
	CP1-16-CS-RNA	5/8" Tube				
	CP1-17.2-CS-RNA	3/8" Pipe				
CP1-18-CS-RNA	18mm					
CP1-19-CS-RNA	3/4" Tube					
CP2	CP2-20-CS-RNA	20mm	86	45	65	30
	CP2-21.3-CS-RNA	1/2" Pipe				
	CP2-22-CS-RNA	7/8" Tube				
	CP2-25-CS-RNA	25mm				
	CP2-25.4-CS-RNA	1" Tube				
	CP2-26.9-CS-RNA	3/4" Pipe				
	CP2-28-CS-RNA	28mm				
CP2-30-CS-RNA	30mm					
CP3	CP3-32-CS-RNA	1-1/4" Tube	100	60	76	30
	CP3-33.7-CS-RNA	1" Pipe				
	CP3-35-CS-RNA	35mm				
	CP3-38-CS-RNA	1-1/2" Tube				
	CP3-42-CS-RNA	1-1/4" Pipe				
CP4	CP4-38-CS-RNA	1-1/2" Tube	140	90	106	45
	CP4-44.5-CS-RNA	1-3/4" Tube				
	CP4-48.3-CS-RNA	1-1/2" Pipe				
	CP4-50-CS-RNA	50mm				
	CP4-50.8-CS-RNA	2" Tube				
	CP4-54-CS-RNA	1-3/4" Pipe				
	CP4-60.3-CS-RNA	2" Pipe				
CP4-63.5-CS-RNA	2-1/2" Tube					

- Stainless steel hardware add SS to part # ex: CP1-6.4-SS-RNA
- Other sizes available upon request
- Internal surface of clamp body profiled

Heavy Duty Assembly Ordering Example

