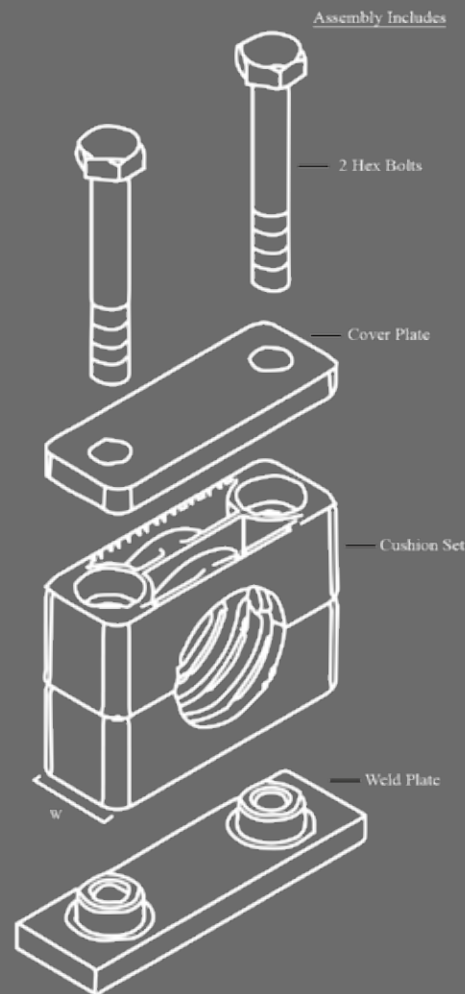
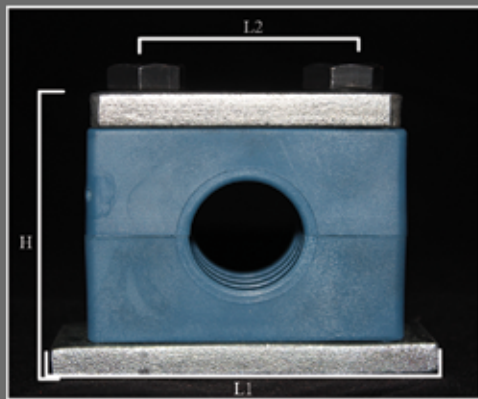


# Heavy Duty Series

Tube/Pipe/Hose Clamp Assemblies

Heavy Duty series polypropylene clamps with carbon steel zinc plated hardware.



Group	DNP Assembly Part#	Pipe/Tube Size	Assembly Dimensions (mm)			
			L1	L2	H	W
CP1	CP1-6.4-CS-A	1/4" Tube	74	33	49	30
	CP1-8-CS-A	5/16" Tube				
	CP1-9.5-CS-A	3/8" Tube				
	CP1-10-CS-A	1/8" Pipe				
	CP1-12-CS-A	12mm				
	CP1-12.7-CS-A	1/2" Tube				
	CP1-13.5-CS-A	1/4" Pipe				
	CP1-15-CS-A	15mm				
	CP1-16-CS-A	5/8" Tube				
	CP1-17.2-CS-A	3/8" Pipe				
	CP1-18-CS-A	18mm				
CP1-19-CS-A	3/4" Tube					
CP2	CP2-20-CS-A	20mm	86	45	65	30
	CP2-21.3-CS-A	1/2" Pipe				
	CP2-22-CS-A	7/8" Tube				
	CP2-25-CS-A	25mm				
	CP2-25.4-CS-A	1" Tube				
	CP2-26.9-CS-A	3/4" Pipe				
	CP2-28-CS-A	28mm				
	CP2-30-CS-A	30mm				
CP3	CP3-32-CS-A	1-1/4" Tube	100	60	76	30
	CP3-33.7-CS-A	1" Pipe				
	CP3-35-CS-A	35mm				
	CP3-38-CS-A	1-1/2" Tube				
CP3-42-CS-A	1-1/4" Pipe					
CP4	CP4-38-CS-A	1-1/2" Tube	140	90	106	45
	CP4-44.5-CS-A	1-3/4" Tube				
	CP4-48.3-CS-A	1-1/2" Pipe				
	CP4-50-CS-A	50mm				
	CP4-50.8-CS-A	2" Tube				
	CP4-54-CS-A	1-3/4" Pipe				
	CP4-60.3-CS-A	2" Pipe				
CP4-63.5-CS-A	2-1/2" Tube					
CP5	CP5-66-CS-A	2-1/4" Pipe	180	122	138	60
	CP5-70-CS-A	2-3/4" Tube				
	CP5-76.1-CS-A	2-1/2" Pipe or 3" Tube				
	CP5-88.9-CS-A	3" Pipe or 3-1/2" Tube				
CP6	CP6-102-CS-A	3-1/2" Pipe	226	168	195	80
	CP6-114-CS-A	4" Pipe or 4-1/2" Tube				
	CP6-126.5-CS-A	4-1/2" Pipe				
CP7	CP7-140-CS-A	5" Pipe	270	205	230	90
	CP7-168-CS-A	6" Pipe				
CP8	CP8-219-CS-A	8" Pipe	340	265	320	120
CP9	CP9-273-CS-A	10" Pipe	520	395	478	160
	CP9-324-CS-A	12" Pipe				

- Stainless steel hardware add SS to part #
- Other sizes available upon request
- Internal surface of clamp body profiled

ex: CP1-6.4-SS-A