

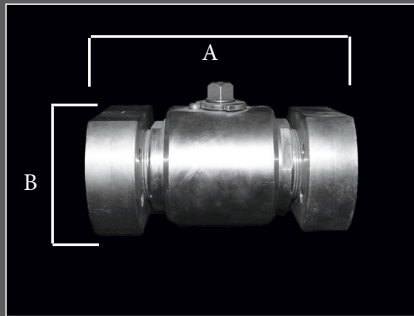
BV2B-4B-FL61/BV2B-4B-FL62 SERIES

2-Way - Round Body Style - 4 Bolt with Code 61 and 62 Flanges - Full Port

Carbon Steel & 316 Stainless Steel

Sizes: 1-1/4" thru 2"

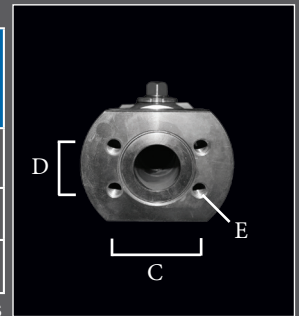
BV2B-4B-FL61



Dimensional & Pressure Rating Data

Body Size	A	B	C	D	E (UNC)	Max Working Pressure (PSI)
20	6.77	4.39	2.31	1.19	7/16" - 14	3,000
24	6.95	4.94	2.75	1.41	1/2" - 13	3,000
32	7.72	5.22	3.06	1.69	1/2" - 13	3,000

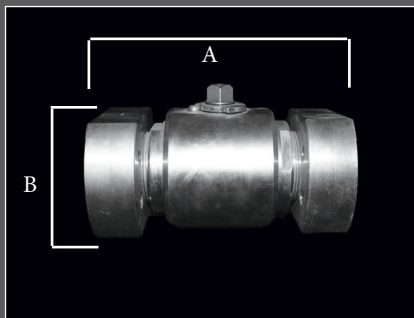
units: inches



Features and Benefits

- Carbon steel construction with Silver Trivalent plating
- Round style bodies are full port
- 4-Bolt code 61 connection
- Standard POM ball seats with buna stem seals

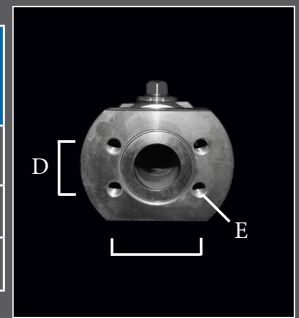
BV2B-4B-FL62



Dimensional & Pressure Rating Data

Body Size	A	B	C	D	E (UNC)	Max Working Pressure (PSI)
20	6.77	4.39	2.63	1.25	1/2" - 13	6,000
24	6.95	4.94	3.13	1.44	5/8" - 11	6,000
32	7.72	5.22	3.81	1.75	3/4" - 10	6,000

units: inches



Features and Benefits

- Carbon steel construction with Silver Trivalent plating
- Round style bodies are full port
- 4-Bolt code 62 connection
- Standard POM ball seats with buna stem seals

ORDERING INFORMATION

High Pressure Ball Valve Part Numbering System:

