

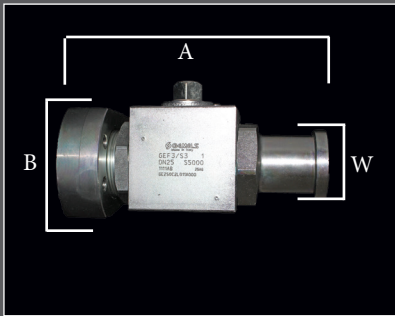
BV2-FL/4B-61/BV2-FL/4B-62 SERIES

2-Way - Block Style - 4 Bolt with Code 61 and 62 Flanges - Full Port

Carbon Steel & 316 Stainless Steel

Sizes: 1/2" thru 1"

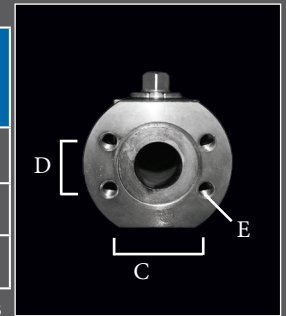
BV2-FL/4B-61



Dimensional & Pressure Rating Data

Body Size	A	B	C	D	E (UNC)	W	Max Working Pressure (PSI)
08	5.34	1.69	1.59	.72	5/16" - 18	1.26	3,000
12	5.87	2.24	1.87	.87	3/8" - 16	1.54	3,000
16	6.42	2.56	2.06	1.03	3/8" - 16	1.77	3,000

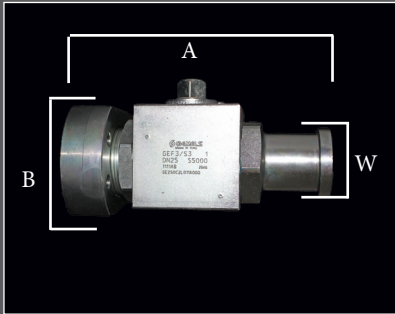
units: inches



Features and Benefits

- Carbon steel construction with Silver Trivalent plating
- 316 steel available
- Block style bodies are full port
- Code 61 flange head and 4-Bolt connection
- Standard POM ball seats with buna stem seals

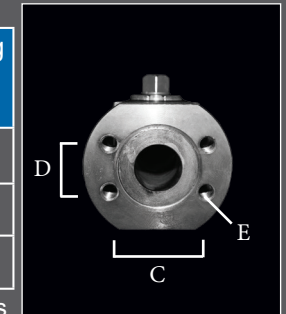
BV2-FL/4B-62



Dimensional & Pressure Rating Data

Body Size	A	B	C	D	E (UNC)	W	Max Working Pressure (PSI)
08	5.34	1.69	1.50	.69	5/16" - 18	1.22	6,000
12	5.96	2.36	1.87	.874	3/8" - 16	1.45	6,000
16	6.81	2.56	2.25	1.09	7/16" - 14	1.89	6,000

units: inches



Features and Benefits

- Carbon steel construction with Silver Trivalent plating
- 316 steel available
- Block style bodies are full port
- Code 62 flange head and 4-Bolt connection
- Standard POM ball seats with buna stem seals

ORDERING INFORMATION

High Pressure Ball Valve Part Numbering System:

BV2 - SS - FL/4B - 08 - 61

BV2 Series		Material Type		Series		Body Size		Connection Type	
BV2	2-Way Block Style with 4-Bolt Pattern and flange head	(blank)	Carbon Steel	FL/4B	Flange and 4-Bolt Connection	08	1/2"	61	Code 61 Flange
		SS	316 Stainless Steel			12	3/4"	62	Code 62 Flange
						16	1"		