

BV2-4B-FL61/BV2-4B-FL62 SERIES

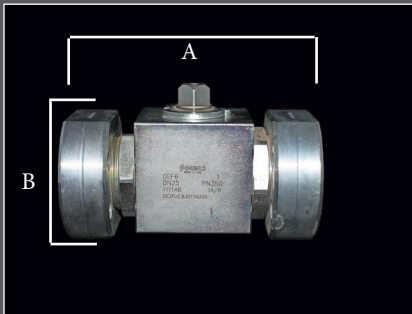
2-Way - Block Style - 4 Bolt with Code 61 and 62 Flanges - Full Port

Carbon Steel & 316 Stainless Steel

Sizes: 1/2" thru 1"

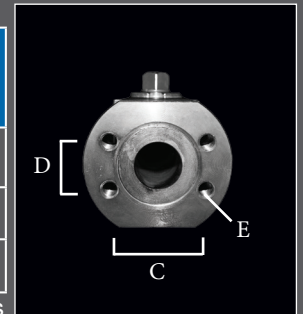
BV2-4B-FL61

Dimensional & Pressure Rating Data



Body Size	A	B	C	D	E (UNC)	Max Working Pressure (PSI)
08	4.72	2.24	1.50	.69	5/16" - 18	3,000
12	5.35	2.89	1.87	.87	3/8" - 16	3,000
16	5.83	3.29	2.06	1.03	3/8" - 16	3,000

units: inches

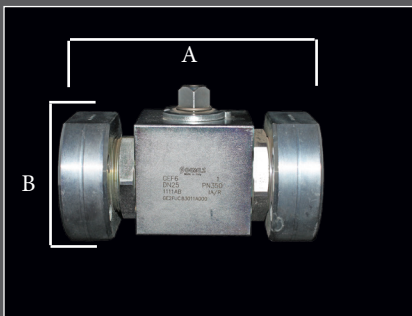


Features and Benefits

- Carbon steel construction with Silver Trivalent plating
- Block style bodies are full port
- 4-Bolt code 61 connection
- Standard POM ball seats with buna stem seals

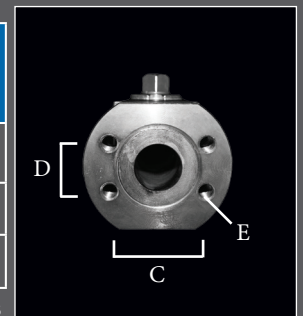
BV2-4B-FL62

Dimensional & Pressure Rating Data



Body Size	A	B	C	D	E (UNC)	Max Working Pressure (PSI)
08	4.72	2.24	1.59	.72	5/16" - 18	6,000
12	5.35	2.89	2.00	.94	3/8" - 16	6,000
16	5.83	3.29	2.25	1.09	7/16" - 14	6,000

units: inches



Features and Benefits

- Carbon steel construction with Silver Trivalent plating
- Block style bodies are full port
- 4-Bolt code 62 connection
- Standard POM ball seats with buna stem seals

ORDERING INFORMATION

High Pressure Ball Valve Part Numbering System:

BV2-4B - 08 - FL61

