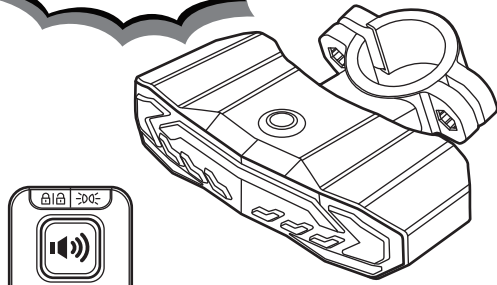


Bike Alarm Taillight with Turn Signals

W-1091
User Manual

Please charge and activate before use!



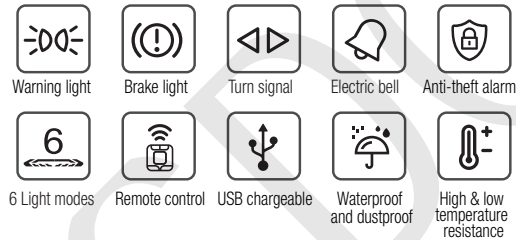
Remote Control

Smart Bike Alarm Taillight

Note: Pictures for reference only, subject to our available products.

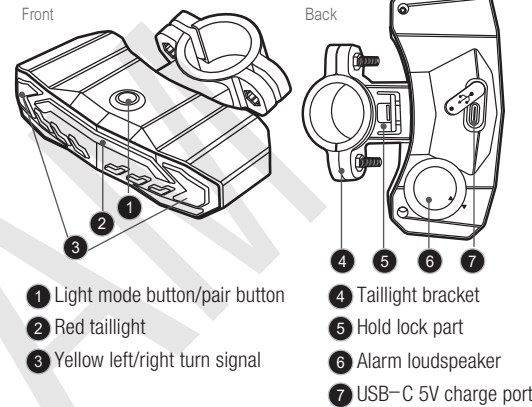
Product Feature

- Warning light / Brake light / Turn signal / Electric bell / Anti-theft alarm, 5-in-1 bike taillight - The new bike accessory!
- Reminding the other drivers and pedestrians with light and sound warning, effectively protect the safety of vehicle and rider!
- Warning light will automatically light up when passing through a tunnel or during the night rides!
- Brake light will be highlighted immediately when you brake or slow down!
- Press remote control on the handle bar to ring the electric bell and alert the other drivers and pedestrians!
- Press right/left turn signal before turning or making a lane change, right/left turn signal turns on clicking sound!
- Take off the remote control and arm when parking, deterring thieves effectively by loud alarm sound and blink light, protect your vehicle!
- The 4th version of power-saving technology, the host standby time is up to 4-8 months, and the remote control is up to 3-5 years!
- A variety of personalized settings make you more comfortable!



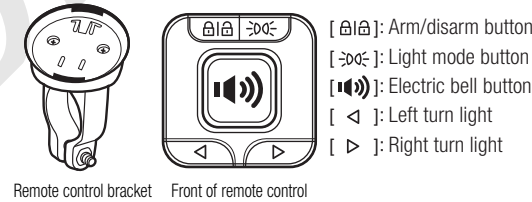
Product Instruction

1.1 Smart Bike Alarm Taillight



- 1 Light mode button/pair button
- 2 Red taillight
- 3 Yellow left/right turn signal
- 4 Taillight bracket
- 5 Hold lock part
- 6 Alarm loudspeaker
- 7 USB-C 5V charge port

1.2 Remote Control

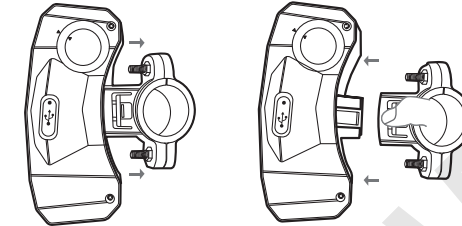


- [𠄎]: Arm/disarm button
- [𠄎]: Light mode button
- [𠄎]: Electric bell button
- [<]: Left turn light
- [>]: Right turn light

Installation & Use

2.1 Installation of bike alarm taillight

- Place the silicone ring on the suitable location of seat post;
- Put the taillight bracket into the silicone ring, align the contours on the silicone ring, then fix it with screw;
- Insert the bike alarm taillight into the taillight bracket. Done.
- If you want to remove the bike alarm taillight, press the buckle handle to the direction of the support, and at the same time pull the bike alarm taillight out in the opposite direction.



Installation & removal diagram

2.2 Installation & removal of remote control

- Place the silicone ring on the suitable location of handle bar;
- Put the remote bracket around the silicone ring, align the contours on the silicone ring, then fix it with screw;
- Press down and turn the remote counter-clockwise until it locks into place.
- When parking, turn the remote clockwise/counter-clockwise and take it off. Then arm it if necessary.



Installation & removal diagram

2.3 Using & Setting

- Activate Before Use
 - The first start have to charge and it will be activated, it's better to full charge.
- Multi-function Warning Taillight & Intelligent Brake Sensor Function
 - In DISARM mode, press [𠄎] light mode button on remote OR [𠄎] light mode button on alarm taillight to select light mode, it has 6 light modes: Slow Flashing → Breathing → Blinking → Steady Light → Emergency Light → OFF (The light flash when it turns on/off. The number of flowing left/right lights indicates the current battery level. The left/right 4 grids lights indicate full power, 3 grids 70%, 2 grids 40%, and 1 grid 15%. Please charge in time when the battery is 15%.)
 - "Slow Flashing" and "Breathing" mode are intelligent auto modes. In intelligent auto modes, the alarm taillight will light up for 30s and then detect the brightness of the riding environment, automatically turn off when it is bright and turn on when it is dark. In a dark environment, if you stop for more than 30 seconds, it will automatically turn off to save power; if you ride again, it will automatically light up as it triggered by vibration.
 - If you don't want intelligent auto modes, you can select "Blinking" and "Steady Light" while riding. "Emergency Light" for urgency situation. These 3 modes are not affected by environmental brightness and vibration.
 - When the alarm taillight turns on (except for "Emergency Light" mode), if there is a brake action while riding, the taillights will be highlighted in red for 2 seconds to remind other drivers, and then return to the previous state.

2.3.3 Turn Signal with Clicking Sound Function

- Press the [</>] left / right button on the handlebar remote when you turn left/right while riding, the left/right turn signal of the alarm taillight will flowing light up, and make clicking sound to remind the surrounding pedestrians and drivers.
- The turn signal light will automatically turn off after 2 minutes and return to the previous mode. If you'd like to end the turn signal early, you could press the same direction button again (press the [𠄎] arm/disarm button and the [𠄎] light mode button also can end the turn signal early).
- Please know when turn signal light is up, the warning taillight and brake light function will be temporarily off.

2.3.4 Electric Bell Function

- In most modes (except for arm mode), press the [𠄎] bell button of remote to ring the electric bell (press and hold the bell button will ring the electric bell for several times) to remind the surrounding pedestrians and drivers. It has 3 kinds of ringing tones, see the following "Sensitivity & Bell Ringtone Setting" about how to set the ringing tone.

2.3.5 Anti-theft Alarm Function

- Arm Mode: Press [𠄎] arm/disarm button of remote, the alarm taillight sounds "duo re mi" indicates it's going to enter the arm mode. After 5 seconds, the alarm taillight will sound a short "Bi" sound indicates it has entered the arm mode. In arm mode, if the alarm taillight detected vibration, it will sound a warning for 2 seconds; if it detected vibration again within 2-12 seconds, the alarm taillight will sound for 30 seconds to scare off the thief (multiple sounds loop). Please know that the light mode button on alarm taillight and the other buttons expert for arm/disarm button on remote will not work in arm mode.
- Disarm Mode: In arm mode, press [𠄎] arm/disarm button of remote to disarm or stop arming. In arm mode, press [𠄎] light mode button to disarm and turn on the light.

2.3.6 Sensitivity & Bell Ringtone Setting

- Note: Sensitivity and bell ringtone can NOT set in arm mode. In disarm mode, press and hold the [𠄎] light mode button of the remote until the remote indicator goes out and lights up again, and the alarm taillight sounds a beep to indicates it enters the following setting program.
 - Vibration Sensitivity Setting: Enter the setting program, then press the [</>] left/right button of remote to select 1~7 vibration sensitivity level. Each press, the alarm taillight will sound a "Bi" and the turn signal light will display the current sensitivity level. Level 7th is the highest sensitivity level.
 - Electric Bell Ringtone Setting: Enter the setting program, then press the [𠄎] bell button to select electric bell ringtone. It has 3 ringtones, electric car horn sound/horn sound/birdcall sound.
 - Exit setting program: Press other buttons on the remote or no operation about 10 seconds, the indicator light of the remote will go out and exit setting program, and the alarm taillight will turn off also.

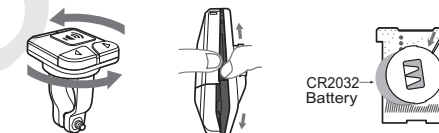
2.3.7 Pairing Method

- The alarm taillight and remote have been paired when we sent out. If you want to add more remotes or taillight alarms, please see the following pairing method.
 - Turn off tail light and enter disarm mode, press and hold the [𠄎] pair button on alarm taillight about 3s, the alarm taillight will make a "Bi" sound and the turn signal circulate flow, it enters the pairing program.
 - Press any button on remote control, the taillight will make "BiBi" sound. The alarm taillight and the remote have successfully paired, and you can use the remote control now.
 - When the alarm taillight enters the pairing program, press the [𠄎] pair button on alarm taillight or it does not receive the remote control signal after 30 seconds, the alarm taillight will sound a long "Bi..." and exit the pairing program.
 - Only one remote control can be added at a time. If you need to add more remotes/taillights, please repeat the above steps.
 - Note that the alarm taillight can pair up to 8 remotes, if exceeds the first remote will be delete and replace.
 - Delete Pairing: [Please use this method with caution] Turn off tail light and enter disarm mode, press and hold the [𠄎] pair button on alarm taillight about 3s, it will make a "Bi" sound and enter the pairing program, don't release, continue to press and hold for about 5s until it makes a long "Bi..." sound. Done. All paired remotes will be deleted.

2.3.8 Low Battery Alert & Charging

- Low battery alert: When the taillight alarm is low battery, if you press the remote control [𠄎], the taillight alarm will make a low battery tone "tweet" after it make normal working sounds 2 seconds. And the brightness of the tail light will be reduced by half.
- USB charge: Open the rubber plug at the USB-C port and charge with AC power or power bank. The 1~4 grids flashing on right turn signal correspond to the battery level 1~4. When the right turn signal full stay on, the battery is fully charged.
- You can ride normally when it charge with a power bank. If you press turn signal when charging, the charging indicator will stop and light up after the turn signal is off.

Method of Changing Battery of Remote



- Twist off the remote clockwise/counter-clockwise and take it out
- Pry open the cover
- Replace battery (ensure the positive and negative polarity of the battery is correct)
- Close the cover
- Put it on the mount and twist on the remote clockwise

Note:

- Please replace the battery strictly in accordance with the model requirements in the manual to avoid the risk of explosion;
- Please place the replaced battery in a safe area and away from children's reach to avoid burns and risk of death caused by accidental ingestion.

Product Parameter

- Bike Alarm Taillight Battery: 18650 3.7V 2000mA lithium battery, standby time 4~8 months
- Bike Alarm Taillight Charging Port: Standard USB - C 5V
- Remote Control Battery: CR2032 button battery, standby time 3~5 years (30 times per day)
- Working Frequency: 433.92MHz
- Wireless Range: 30~60m
- Working Environment Temperature: -40 ~ +60 C
- Working Environment Humidity: <80%
- Storage Temperature: -40 ~ +70 C

Troubleshooting

4.1 Can't control

- Make sure you have full charge the alarm taillight for activation when you first use.
- Check whether the remote control indicator can light up. If not, please replace the remote control battery. If yes, please try to pair the remote and the alarm taillight again. See "Pairing Method"

4.2 Range is reduced

- Make sure the battery power of alarm taillight and remote; The signal may be disturbed by the metal or radio around, please move to other place and try.

4.3 Volume is lower

- The alarm taillight may be low on battery, please fully charge and try again.