

# CARD

06-07-2015

## 0.1

**LED** 1W | 350mA | 3Vf | PCB 3-step | excl. power supply

CE  $\triangleleft$  IP67  $\square$  960°C  $\curvearrowright$  0.3m  $\oplus$   $\square$   $\blacksquare$

3000K | >80CRI | 110lm  
inox

75016114

**ALWAYS USE**

for power supplies see our catalogue

## 0.2

**LED** 1W | 350mA | 3Vf | PCB 3-step | excl. power supply

CE  $\triangleleft$  IP67  $\square$  960°C  $\curvearrowright$  0.3m  $\oplus$   $\square$   $\blacksquare$

3000K | >80CRI | 110lm  
inox

75026114

**ALWAYS USE**

for power supplies see our catalogue

## 0.3

**LED** 1W | 350mA | 3Vf | PCB 3-step | excl. power supply

CE  $\triangleleft$  IP67  $\square$  960°C  $\curvearrowright$  0.3m  $\oplus$   $\square$   $\blacksquare$

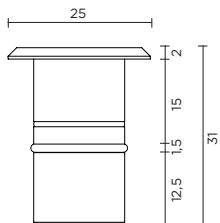
3000K | >80CRI | 110lm  
inox

75036114

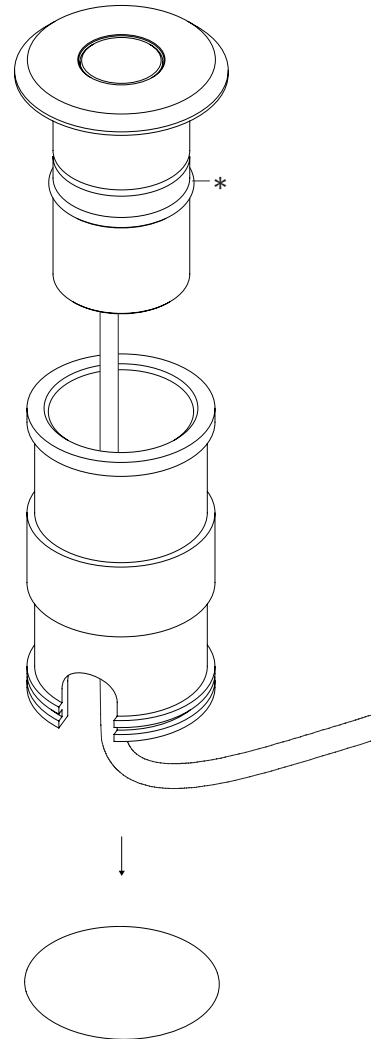
**ALWAYS USE**

for power supplies see our catalogue

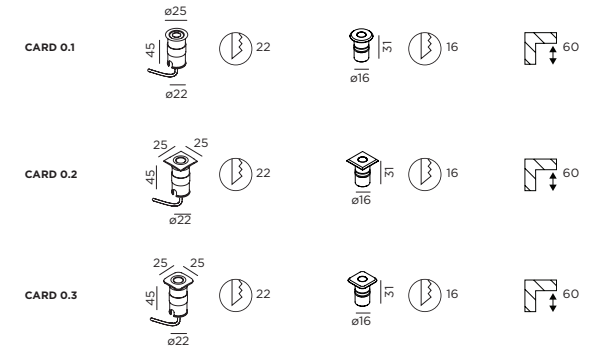
dimensions



④

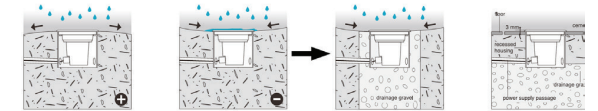


## DIMENSIONS



## MOUNTING INSTRUCTION

- ① Make a hole in the ground according to the prescribed dimensions of the fixture or the recessed housing.
- ② Drainage: we recommend that all exterior groundspots should be installed with a drainage level

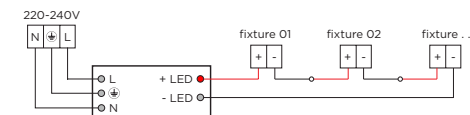


## POWER CONNECTION

- ③ Exterior: WATERPROOF Connection

SERIAL CONNECTION - for LED

**Always use POWER SUPPLY according to the specifications of the LED-module**



- ④ Insert the fixture in the hole with or without recessed housing.  
\*When not using the recessed housing, make sure the rubber at the side of the CARD is pressed in the floor, to assure steady fixation



**WEVER & DUCRÉ**  
LIGHTING

[www.weverducre.com](http://www.weverducre.com)

**INSTALLATION  
INSTRUCTIONS**