

# DEEP

16-10-2015

## 1.0 LED

**LED** 7/10W | 350-500mA | 18Vf | COB 3-step | excl. power supply

CE IP20 960°C 0,3m 36° P

3000K | >90CRI | 470-640lm

white texture	112161W5
silver / grey	112161S5
black texture	112161B5

### ALWAYS USE

for power supplies see our catalogue

## 1.0 MR16

QR-CBC51 max. 50W | GU5.3 | 12V | excl. transformer

CE IP20 960°C 0,9m DO NOT COVER

white texture	112110W0
silver / grey	112110S0
black texture	112110B0

### ALWAYS USE

for transformers see our catalogue

## 1.0 PAR16

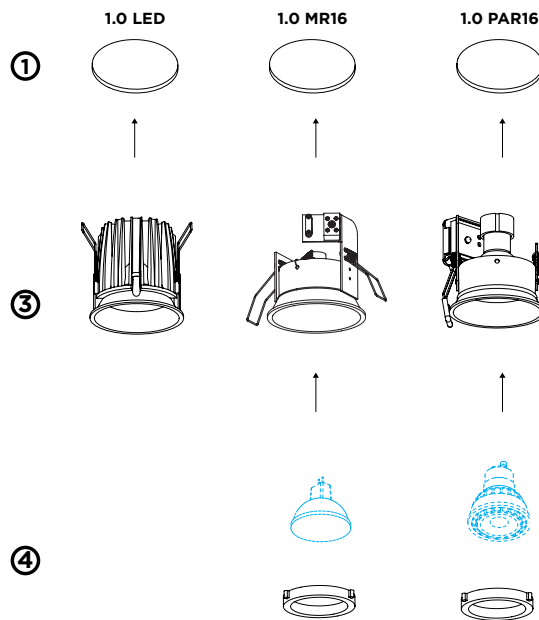
PAR16 max. 50W | GU10 | 220-240VAC | 50-60Hz

CE IP20 960°C 0,9m DO NOT COVER

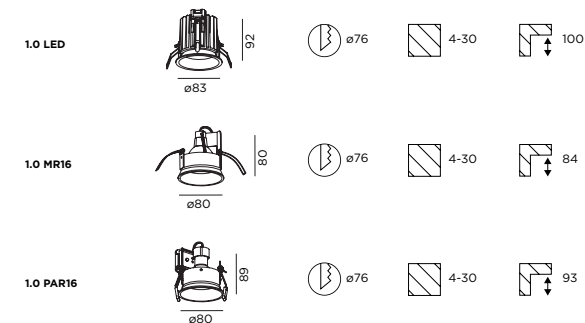
white texture	112120W0
silver / grey	112120S0
black texture	112120B0

### ALWAYS USE

for PAR16 lamps see our catalogue



## DIMENSIONS



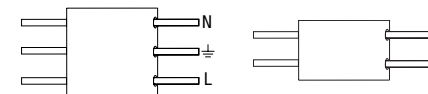
## MOUNTING INSTRUCTION

- 1 Make a hole in the ceiling according to the prescribed dimensions.

## POWER CONNECTION

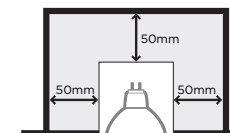
- 2 Connect the power supply.

Interior: STANDARD version  
serial connection for LED



- 3 Insert the fixture in the hole
- 4 For MR16 | PAR16  
Place the lamp and fix with inner part of DEEP

## SAFETY DISTANCE FOR HALOGEN LAMPS



WEVER & DUCRÉ  
LIGHTING

[www.weverducre.com](http://www.weverducre.com)

INSTALLATION  
INSTRUCTIONS