

# ROBY

03-Nov-2017

## 1.6 HV

**LED** 12W | 220-240VAC | 50-60Hz | PCB 3-step | phase cut dim

CE IP44 0.3m P

white texture 135184W\_  
silver / grey 135184L4

### LIGHT COLOUR

2700K | >80CRI | 750lm (only available for the white version) 2  
3000K | >80CRI | 850lm 4

## 2.6 HV

**LED** 18W | 220-240VAC | 50-60Hz | PCB 3-step | phase cut dim

CE IP44 0.3m P

white texture 135284W\_  
silver / grey 135284L4

### LIGHT COLOUR

2700K | >80CRI | 1250lm (only available for the white version) 2  
3000K | >80CRI | 1400lm 4

## 3.5 HV

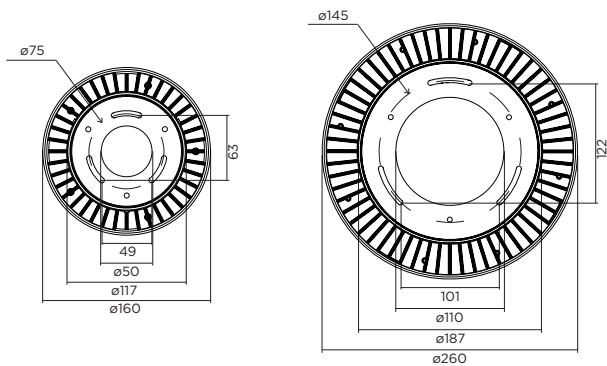
**LED** 32W | 220-240VAC | 50-60Hz | PCB 3-step | phase cut dim

CE IP44 0.3m P

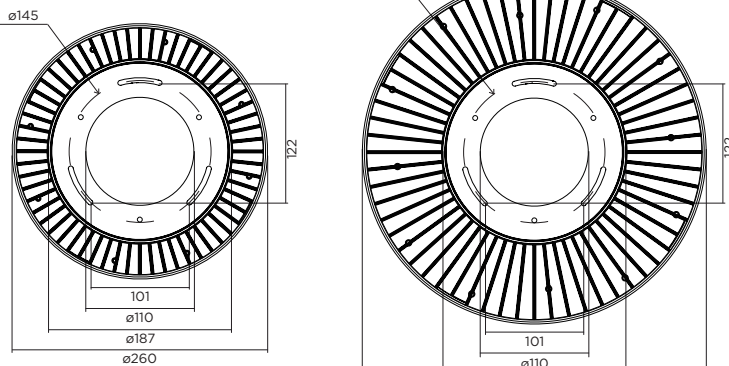
white texture 135384W\_  
silver / grey 135384L4

### LIGHT COLOUR

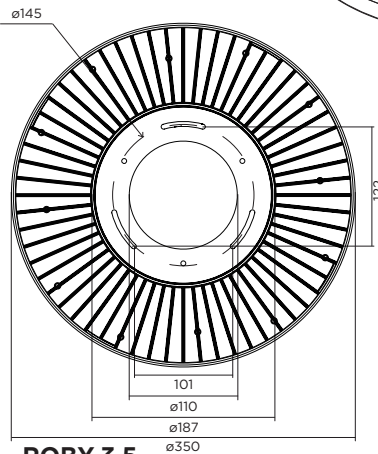
2700K | >80CRI | 2400lm (only available for the white version) 2  
3000K | >80CRI | 2700lm 4



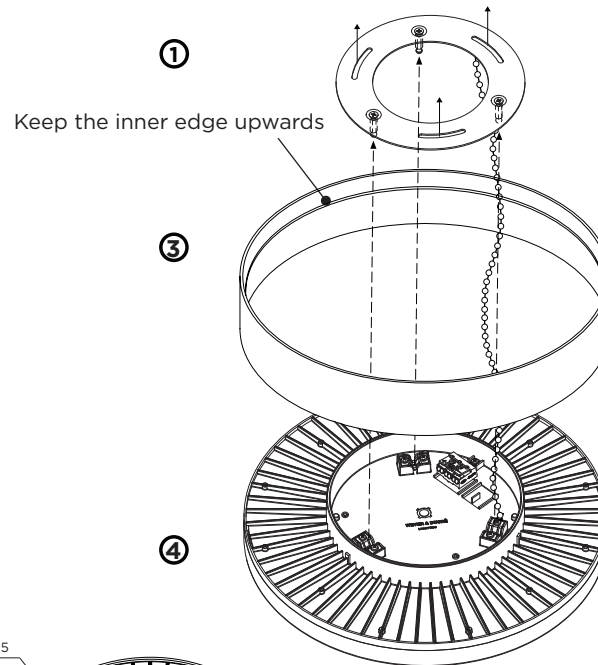
ROBY 1.6



ROBY 2.6

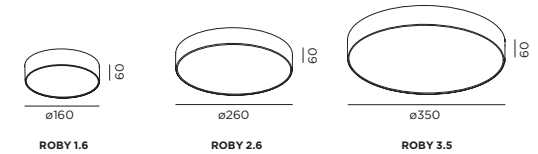


ROBY 3.5



Keep the inner edge upwards

## DIMENSIONS

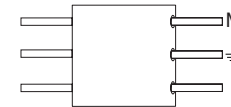


## MOUNTING INSTRUCTION

- 1 Remove the base plate from the ROBY and mount it on the ceiling with screws. Also disconnect the fall protection. ROBY 2.6 and ROBY 3.5 have the same base plate.

## POWER CONNECTION

- 2 Interior connection: STANDARD version



- 3 Put the ROBY cover on top of the fixture before clicking it on the base plate
- 4 Connect the fall protection back to the base plate. Then attach the ROBY to the base plate by clicking the 3 foreseen pins into the holes

The light source of the integrated LED is not replaceable; When the light source reaches its end of life the whole luminaire should be replaced.



Caution, risk of electric shock

ROBY 2.6 & ROBY 3.5 have the same base plate mounted.



WEVER & DUCRÉ  
LIGHTING

www.weverducre.com

Wever & Ducre bvba Kwadestraat 153 bus 2.1 8800 Roeselare

INSTALLATION  
INSTRUCTIONS