

BOX

11-Jul.-2017

2.0 LED INTERIOR

LED 2x3W | 220-240VAC | 50-60Hz | PCB 3-step | incl. PS | phase-cut dim

CE IP20

white texture	331148W
aluminium brushed	331148L
gold	331148G
bronze	331148Q
copper	331148P
black texture	331148B

LIGHT COLOUR

2700K >80CRI 2x200lm	2
3000K >80CRI 2x220lm	4
1800-2850K >80CRI 2x200lm	9

2.0 LED EXTERIOR

LED 2x3W | 220-240VAC | 50-60Hz | PCB 3-step | incl. PS | phase-cut dim

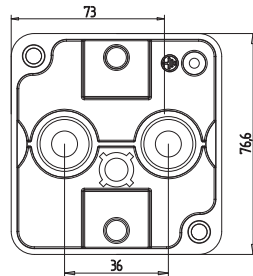
CE IP65

white texture	740148W
dark grey texture	740148D
black texture	740148B

LIGHT COLOUR

2700K >80CRI 2x200lm	2
3000K >80CRI 2x220lm	4

base plate dimensions

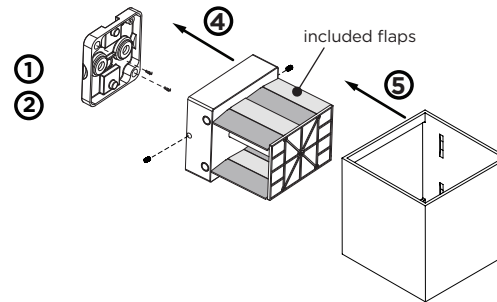


The light source of the integrated LED is not replaceable; When the light source reaches its end of life the whole luminaire should be replaced.

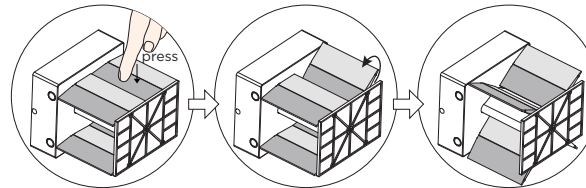


Caution, risk of electric shock

2.0 LED INTERIOR EXTERIOR

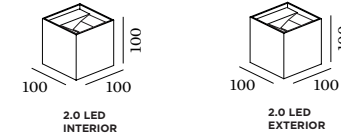


with flaps, the beam angle is adjustable:



	A	B	C
CABLE			
TYPE	ROUND HO5RN-F HO7RN8-F HO7RN-F	ROUND HO5RN-F	ROUND
OUTSIDE Ø	min 6.8mm max 8.9mm	min 5mm max 6.8mm	min 1.5mm max 2.6mm
CONDUCTION SECTION	2or3x 0.75mm² 2or3x 1.0mm² 2or3x 1.5mm²	2or3x 0.75mm² 2x 1.0mm²	0.75mm² 1.5mm²

DIMENSIONS

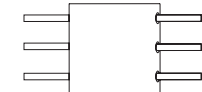


MOUNTING INSTRUCTION

- Remove the lamp base
- Fixate the back plate to the wall with screws
- POWER CONNECTION**

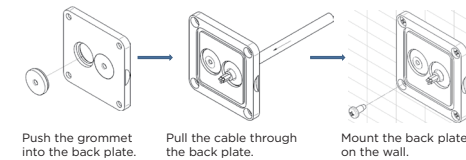
Connect the power supply.

Interior: STANDARD version



Exterior: WATERPROOF Connection

IP-rated connections for wall fixtures: cable isolation for round cables \varnothing 4.5-7.5 mm, should be in the grommet. For cable use \varnothing 7.0-9.5 mm: replace the grommet with the other grommet in the bag.



- Fixate the lamp base to the back plate.
- Fixate the lamp cover to the back base.



WEVER & DUCRÉ
LIGHTING

www.weverducre.com

Wever & Ducre bvba Kwadestraat 153 bus 2.1 8800 Roeselare

INSTALLATION
INSTRUCTIONS