

ORIS

16-Jan-2019

0.7

LED 1/2W | 350-700mA | 3Vf | PCB 3-step | excl. power supply

CE IP65 960°C 0.3m

3000K | >80CRI | 90-150lm

white texture
dark grey texture

709161W4
709161D4

ALWAYS USE

for power supplies see our catalogue
OPTIONAL, (ORDER SEPARATELY)

plasterkit + recessed housing
recessed housing - concrete housing

90012039
90012044

1.3

LED 2/4W | 350-700mA | 6Vf | PCB 3-step | excl. power supply

CE IP65 960°C 0.3m

3000K | >80CRI | 180-300lm

white texture
dark grey texture

709261W4
709261D4

ALWAYS USE

for power supplies see our catalogue
OPTIONAL, (ORDER SEPARATELY)

plasterkit + recessed housing
recessed housing - concrete housing

90012041
90012040

2.0

LED 2/4W | 350-700mA | 6Vf | PCB 3-step | excl. power supply

CE IP65 960°C 0.3m

3000K | >80CRI | 180-300lm

white texture
dark grey texture

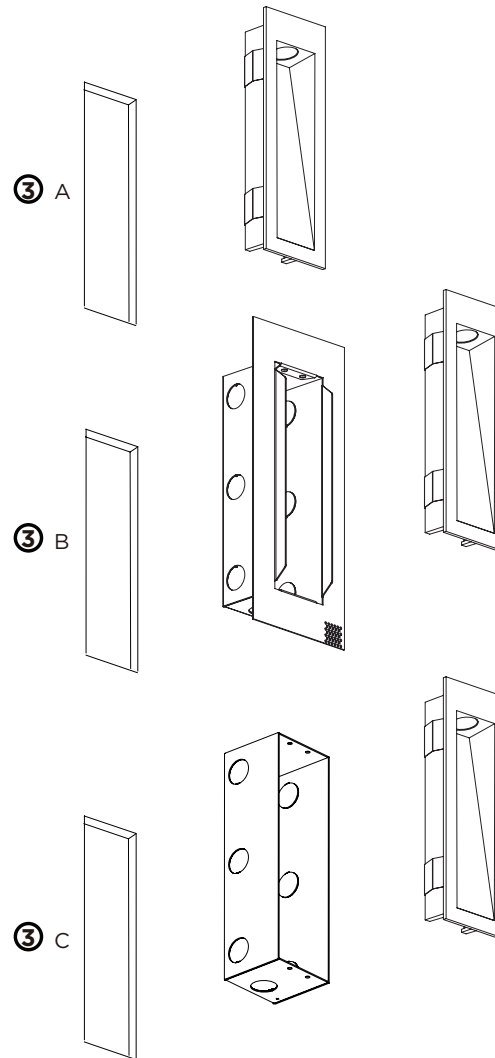
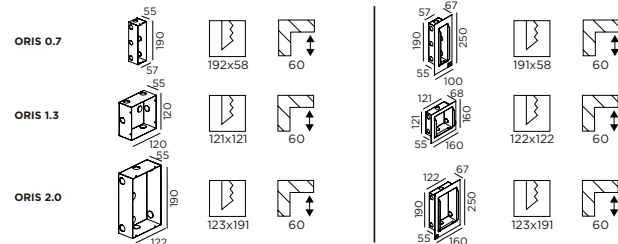
709361W4
709361D4

ALWAYS USE

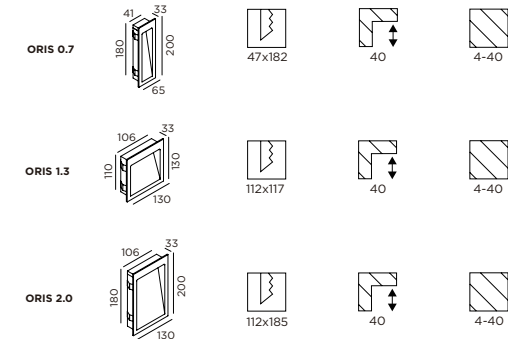
for power supplies see our catalogue
OPTIONAL, (ORDER SEPARATELY)

plasterkit + recessed housing
recessed housing - concrete housing

90012043
90012042



DIMENSIONS



MOUNTING INSTRUCTION

- 1 Make a hole in the ceiling according to the prescribed dimensions.

POWER CONNECTION

- 2 Exterior: WATERPROOF Connection



- 3 A - Insert the fixture in the hole.
B - Insert the fixture in the plaster kit
C - Insert the fixture in the concrete housing



WEVER & DUCRÉ
LIGHTING

www.weverducre.com

Wever & Ducre bvba Spinnerijstraat 99/21 8500 Kortrijk

**INSTALLATION
INSTRUCTIONS**

PAGE 1/2

ORIS

16-Jan-2019

0.7

LED 1/2W | 350-700mA | 3Vf | PCB 3-step | excl. power supply

CE P20 960°C 0,3m

3000K | >80CRI | 90-150lm
white texture

327161W4

ALWAYS USE

for power supplies see our catalogue
OPTIONAL, (ORDER SEPARATELY)
plasterkit + recessed housing
recessed housing - concrete housing

90012039
90012044

1.3

LED 2/4W | 350-700mA | 6Vf | PCB 3-step | excl. power supply

CE P20 960°C 0,3m

3000K | >80CRI | 180-300lm
white texture

327261W4

ALWAYS USE

for power supplies see our catalogue
OPTIONAL, (ORDER SEPARATELY)
plasterkit + recessed housing
recessed housing - concrete housing

90012041
90012040

2.0

LED 2/4W | 350-700mA | 6Vf | PCB 3-step | excl. power supply

CE P20 960°C 0,3m

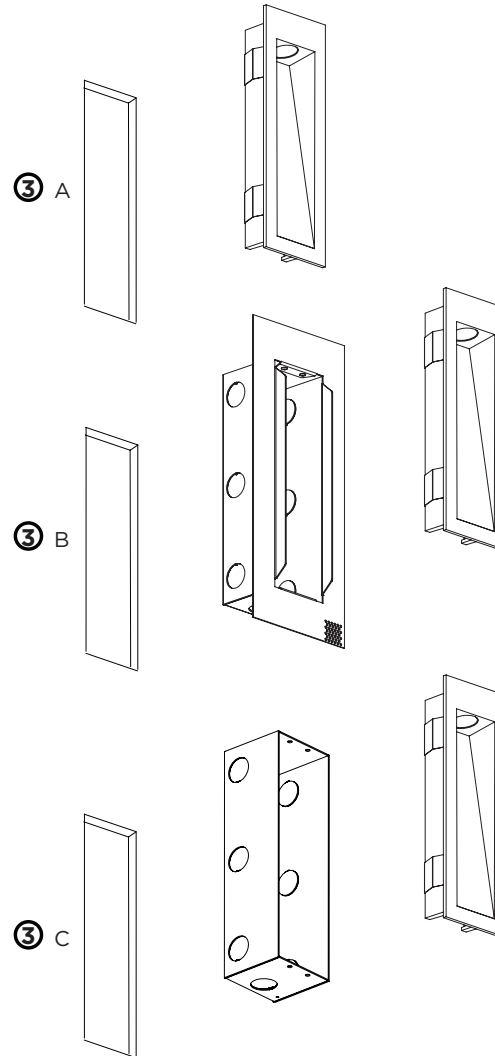
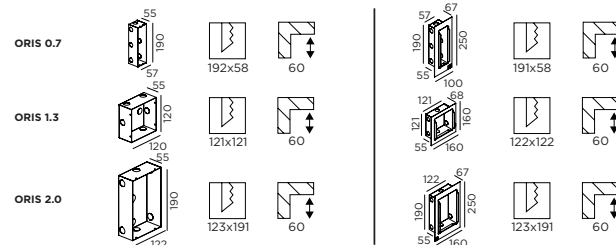
3000K | >80CRI | 180-300lm
white texture

327361W4

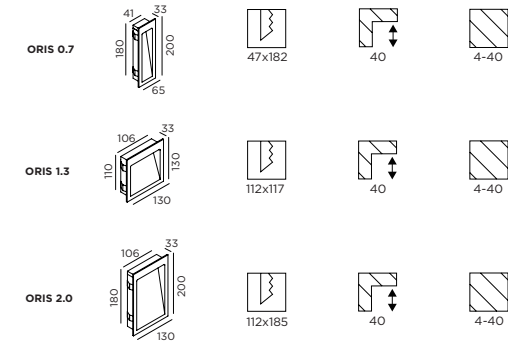
ALWAYS USE

for power supplies see our catalogue
OPTIONAL, (ORDER SEPARATELY)
plasterkit + recessed housing
recessed housing - concrete housing

90012043
90012042



DIMENSIONS

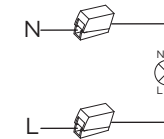


MOUNTING INSTRUCTION

- 1 Make a hole in the ceiling according to the prescribed dimensions.

POWER CONNECTION

- 2 Interior: STANDARD version



- 3 A - Insert the fixture in the hole.
B - Insert the fixture in the plaster kit
C - Insert the fixture in the concrete housing



WEVER & DUCRÉ
LIGHTING

www.weverducre.com

Wever & Ducre bvba Spinnerijstraat 99/21 8500 Kortrijk

**INSTALLATION
INSTRUCTIONS**

PAGE 2/2