

# ROB

13-Mar.-2019

## 1.6 HV

**LED** 13W | 220-240VAC | 50-60Hz | AC PCB 3-step low flicker | phase cut dim

CE  $\oplus$  IP44  $\downarrow$ 0,3m  $\text{P}$   $\text{M}$   $\text{D}$   $\text{A}$   $\text{A}$

white texture 701184W\_

### LIGHT COLOUR

2700K | >90CRI | 860lm 3

3000K | >90CRI | 950lm 5

## 2.6 HV

**LED** 18W | 220-240VAC | 50-60Hz | AC PCB 3-step low flicker | phase cut dim

CE  $\oplus$  IP44  $\downarrow$ 0,3m  $\text{P}$   $\text{M}$   $\text{D}$   $\text{A}$   $\text{A}$

white texture 701284W\_

### LIGHT COLOUR

2700K | >90CRI | 1250lm 3

3000K | >90CRI | 1380lm 5

## 3.5 HV

**LED** 32W | 220-240VAC | 50-60Hz | AC PCB 3-step low flicker | phase cut dim

CE  $\oplus$  IP44  $\downarrow$ 0,3m  $\text{P}$   $\text{M}$   $\text{D}$   $\text{A}$   $\text{A}$

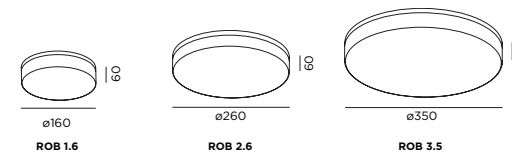
white texture 701384W\_

### LIGHT COLOUR

2700K | >90CRI | 1820lm 3

3000K | >90CRI | 1950lm 5

## DIMENSIONS

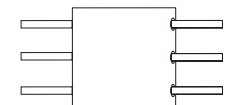


## MOUNTING INSTRUCTION

- 1 Remove the base plate from the ROB and mount it on the ceiling with screws. Also disconnect the fall protection.


## POWER CONNECTION

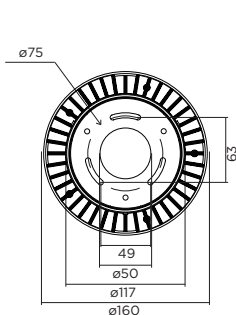
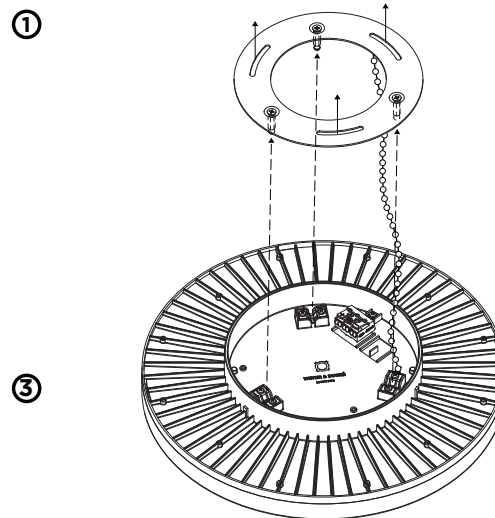
- 2 Interior connection: STANDARD version



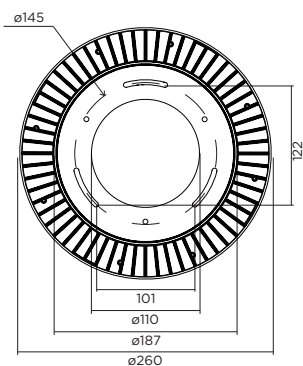
- 3 Connect the fall protection back to the base plate. Then attach the ROB to the base plate by clicking the 3 foreseen pins into the holes

The light source of this luminaire is not replaceable;  
When the light source reaches its end of life the whole luminaire shall be replaced.

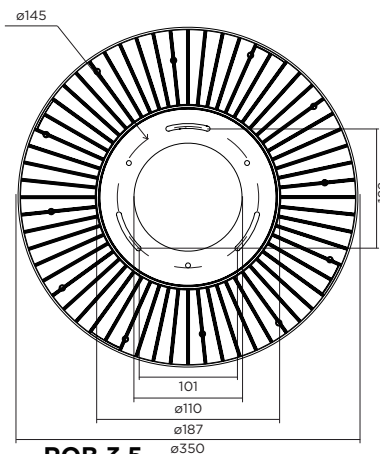
 Caution,  
risk of electric shock



ROB 1.6



ROB 2.6



ROB 3.5