

# GIGANT

18-Jun-2019

## 10.0

LED | 42W | 220-240VAC | 50-60Hz | PCB 3-step | dali switch dim

CE IP20 960°C 0.3m P

white texture 213185W

### LIGHT COLOUR

3000K | >85CRI | 5000lm 4

4000K | >85CRI | 5300lm 6

### OPTIONAL

suspension set 4.0m 90015114

## 16.0

LED | 83W | 220-240VAC | 50-60Hz | PCB 3-step | dali switch dim

CE IP20 960°C 0.3m P

white texture 213285W

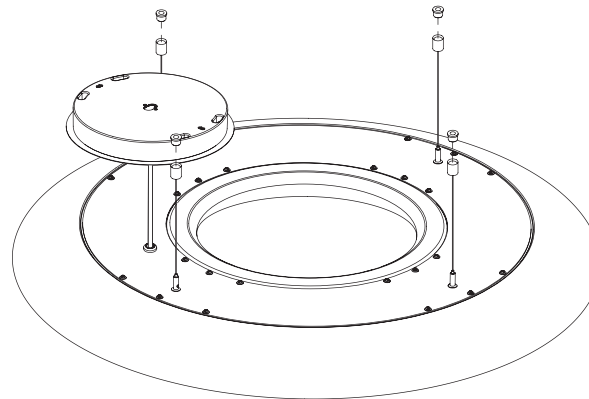
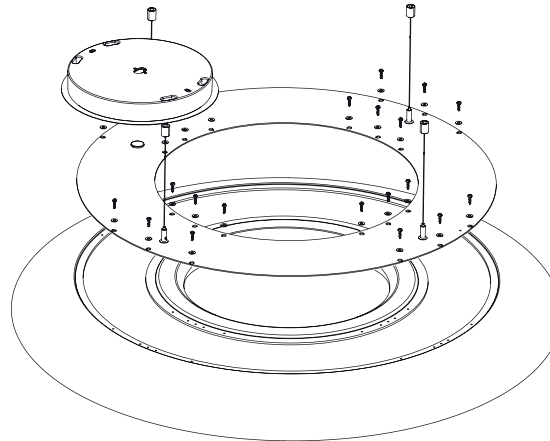
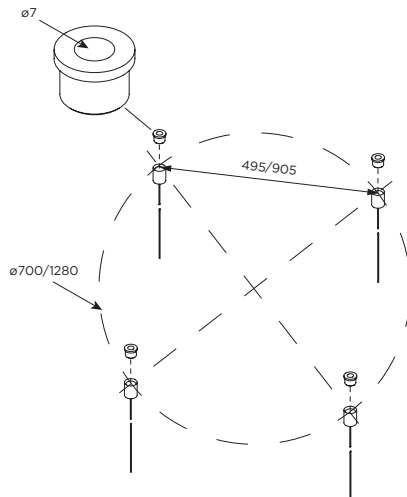
### LIGHT COLOUR

3000K | >85CRI | 9900lm 4

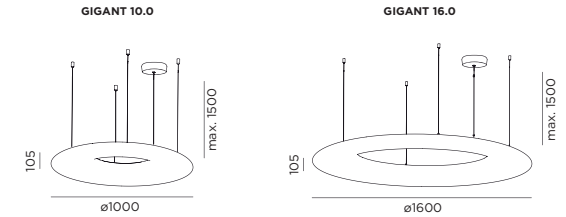
4000K | >85CRI | 10400lm 6

### OPTIONAL

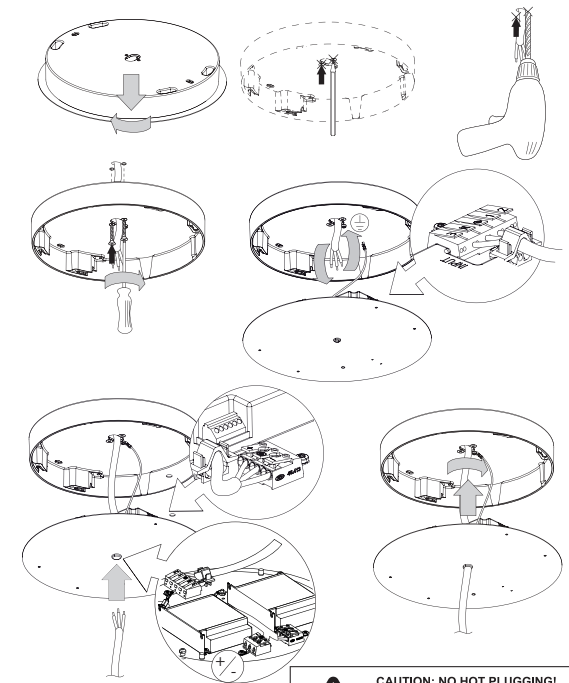
suspension set 4.0m 90015114



## DIMENSIONS



## MOUNTING INSTRUCTION



**CAUTION: NO HOT PLUGGING!**  
Before connecting the luminaire the converter needs to be disconnected from the power supply. If this instruction is disregarded the luminaire might be damaged or destroyed.



WEVER & DUCRÉ  
LIGHTING

www.weverducre.com

Wever & Ducré bvba Spinnerijstraat 99/21 8500 Kortrijk

INSTALLATION  
INSTRUCTIONS

PAGE 1/2

# DIMMING

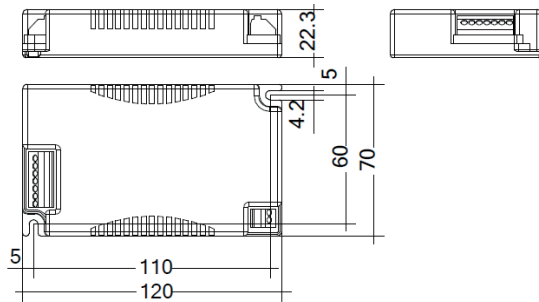
18-Jun-2019

## LCA CONVERTER - PRE series

max. 45W | 500-1400mA | constant current | DIM 1-100%  
 DALI-2 DEVICE type 6 | DSI | switchDIM  
 suitable for emergency lighting units (EN50172)

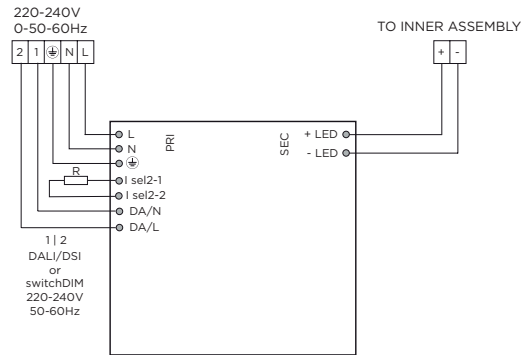


## DIMENSIONS



## GIGANT 10.0 | MACBETH 1.0 DALI & SWITCH DIM

CIRCUIT DIAGRAM



## GIGANT 16.0 DALI & SWITCH DIM

CIRCUIT DIAGRAM

220-240V  
 0-50-60Hz

