

J.J.W. 04

14-Jan-2019

04

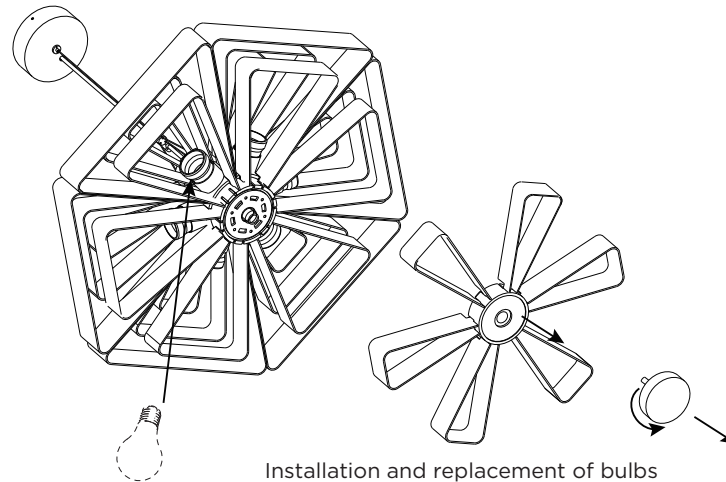
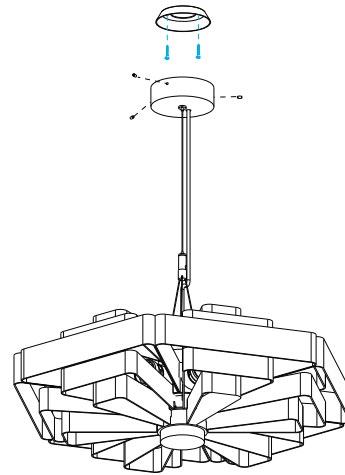
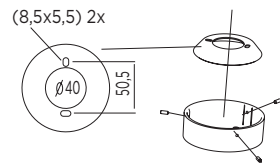
6xQA60 max. 53W | E27 | 220-240VAC | 50-60Hz
CE IP20 0.9m

BODY COLOUR

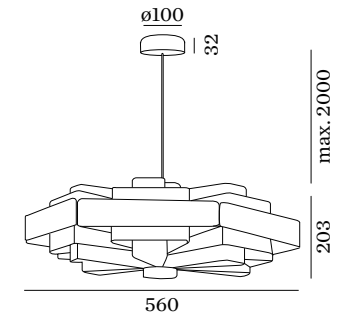
silver 2052E8S0
gold 2052E8G0

for more lamps see our catalogue

CEILING TOP COVER DIMENSION



DIMENSIONS

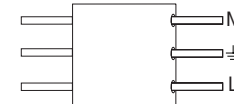


MOUNTING INSTRUCTION

① remove the top plate.
Fixate the baldachin to the ceiling with screws.

② POWER CONNECTION

Connect the wires
connection: STANDARD version



③ Mount the fixture to the top plate.

④ EXTRA INFO

Lamp replacement: all lamps can be replaced by hand, make sure the lamp is cold.
For esthetic reasons: please make sure that all blades hang parallel after installation.