

STRANGE

10-05-2016

1.7

LED 4/6W | 500-700mA | 6Vf | PCB 3-step | excl. power supply

CE IP20 960°C 0.3m

3000K | >80CRI | 280-340lm

white texture
silver / grey

304271W4
304271S4

ALWAYS USE

for power supplies see our catalogue

2.7

LED 4/6W | 500-700mA | 6Vf | PCB 3-step | excl. power supply

CE IP20 960°C 0.3m

3000K | >80CRI | 280-340lm

white texture
silver / grey

304371W4
304371S4

ALWAYS USE

for power supplies see our catalogue

5.0

LED 4/6W | 500-700mA | 6Vf | PCB 3-step | excl. power supply

CE IP20 960°C 0.3m

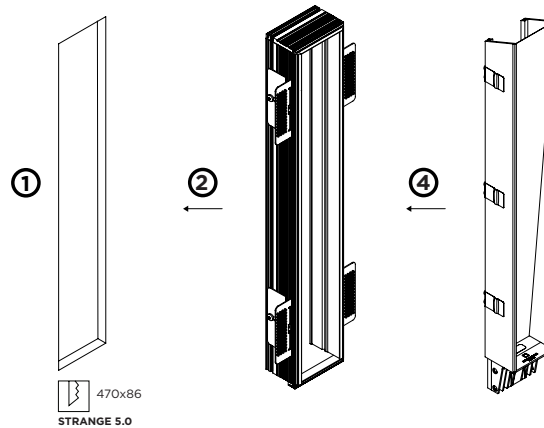
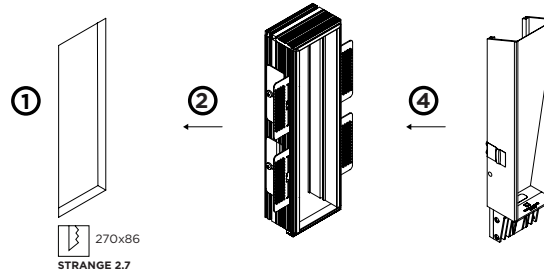
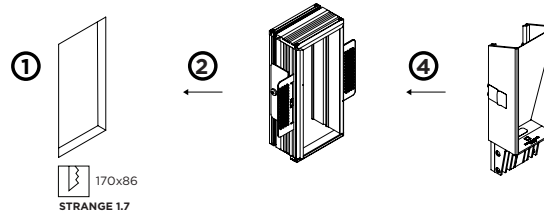
3000K | >80CRI | 280-340lm

white texture
silver / grey

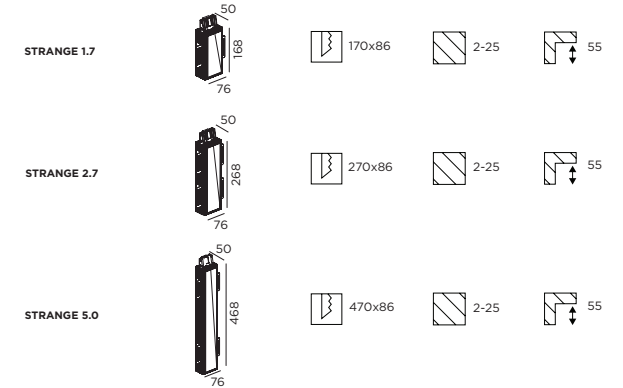
304671W4
304671S4

ALWAYS USE

for power supplies see our catalogue



DIMENSIONS



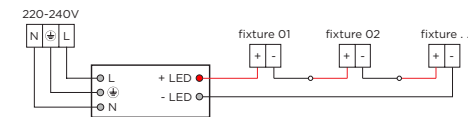
MOUNTING INSTRUCTION

- 1 Make a hole in the wall according to the prescribed dimensions.
- 2 Insert the plaster kit and plaster the borders seamlessly

POWER CONNECTION

- 3 SERIAL CONNECTION

Always use POWER SUPPLY according to the specifications of the LED-module



- 4 Click the fixture in the plaster kit



WEVER & DUCRÉ
LIGHTING

www.weverducre.com

**INSTALLATION
INSTRUCTIONS**