

# CHART ASYM

25-Sep.-2017

## 1.2

LED 10W | 220-240VAC | 50-60Hz | COB 3-step | incl. PS | phase-cut dim

CE IP67 0.3m

3000K | >80CRI | 600lm

inox

75255714

OPTIONAL  
recessed housing

90012203

## 1.6

LED 15W | 220-240VAC | 50-60Hz | COB 3-step | incl. PS | phase-cut dim

CE IP67 0.3m

3000K | >80CRI | 850lm

inox

75265714

OPTIONAL  
recessed housing

90012204

OPTIONAL, (ORDER SEPARATELY)  
recessed housing

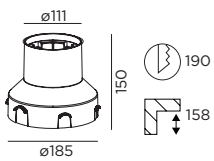


CHART ASYM 1.2

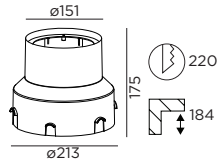
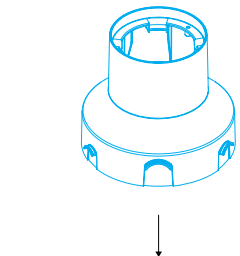
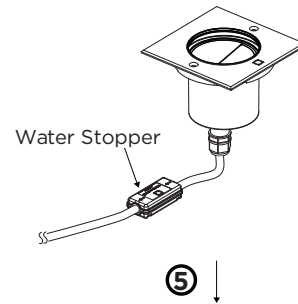
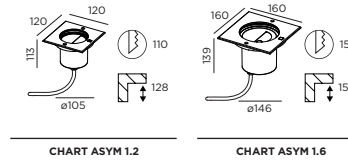


CHART ASYM 1.6

## with recessed housing

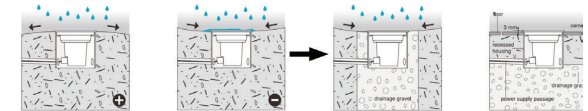


## DIMENSIONS



## MOUNTING INSTRUCTION

- Remove the protective foam inside of the CHART ASYM. Make sure to screw the screws back on, crosswise, to ensure IP67
- Make a hole in the ground according to the prescribed dimensions (of the recessed housing)
- Drainage: we recommend that all exterior groundspots should be installed with a drainage level even when using a recessed housing



## POWER CONNECTION

- Exterior: WATERPROOF Connection



**Remark: Do not open or cut off the Water Stopper on cable.**

- MOUNTING WITH RECESSED HOUSING**

Use the bolts and the nuts to attach the CHART ASYM to the recessed housing



Caution, risk of electric shock

The light source of the integrated LED is not replaceable; When the light source reaches its end of life the whole luminaire shall be replaced.



WEVER & DUCRÉ  
LIGHTING

www.weverducre.com

Wever & Ducré bvba Kwadestraat 153 bus 2.1 8800 Roeselare

INSTALLATION  
INSTRUCTIONS

PAGE 1/2

# CHART ASYM

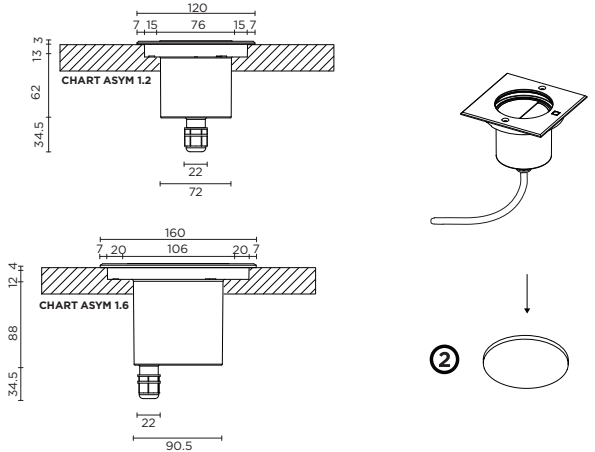
25-Sep.-2017

**1.2**  
**LED** 10W | 220-240VAC | 50-60Hz | COB 3-step | incl. PS | phase-cut dim  
 CE IP67 0.3m 100% 100%  
 3000K | >80CRI | 600lm  
 inox 75255714  
 OPTIONAL recessed housing 90012203

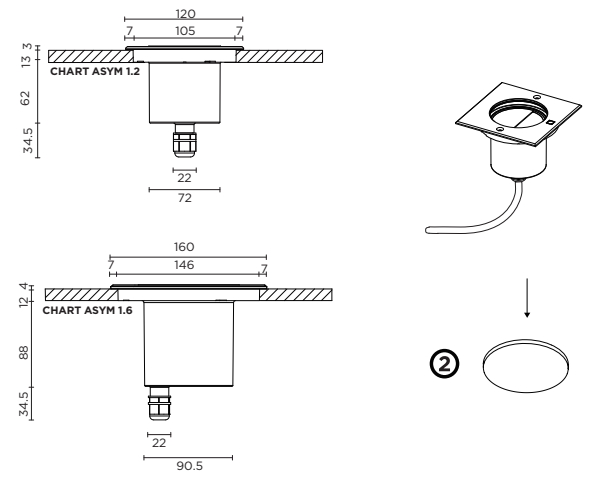
**1.6**  
**LED** 15W | 220-240VAC | 50-60Hz | COB 3-step | incl. PS | phase-cut dim  
 CE IP67 0.3m 100% 100%  
 3000K | >80CRI | 850lm  
 inox 75265714  
 OPTIONAL recessed housing 90012204

## without recessed housing

**A. Attached to the floor (or wall, for wall mounting)**

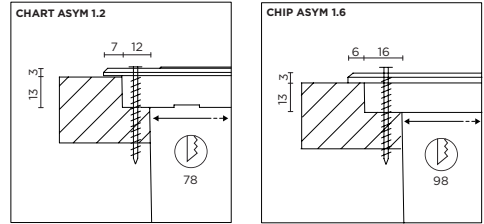


**B. Rests on the stainless steel borders of the fixture**



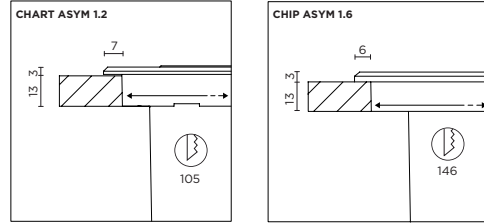
**A. Attached to the floor (or wall, for wall mounting)**

⑤ Use the screws to attach the CHART ASYM to the floor or wall. Make sure to measure correctly so that you can screw onto a hard material.



**B. Rests on the stainless steel borders of the fixture**

⑤ Place the CHART ASYM into the hole, no tools needed to fix it into the hole. Just let it rest on the stainless steel borders of the fixture



**Caution, risk of electric shock** The light source of the integrated LED is not replaceable; When the light source reaches its end of life the whole luminaire shall be replaced.