

X-BEAM

07-Aug-2018

1.0

LED 18W | 220-240VAC | 50-60Hz | COB 3-step | incl. PS | phase-cut dim

CE IP65 0,3m 120° 9x 0/110°

3000K | >80CRI | 1040lm

dark grey texture

700364D4

ACCESSORIES

snoot

90019023

2.0

LED 16W | 220-240VAC | 50-60Hz | COB 3-step | incl. PS | phase-cut dim

CE IP65 0,3m 9x 120° 0/110°

3000K | >80CRI | 895lm

dark grey texture

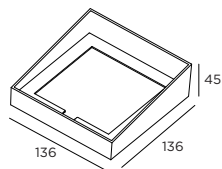
700354D4

ACCESSORIES

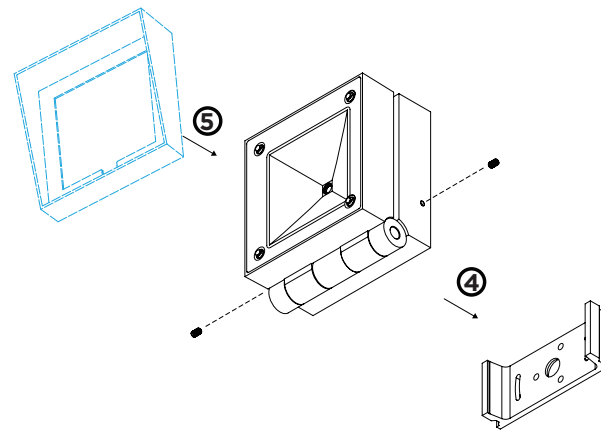
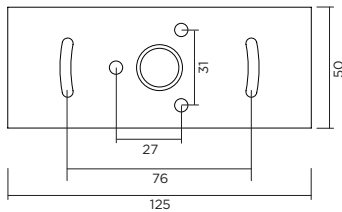
snoot

90019023

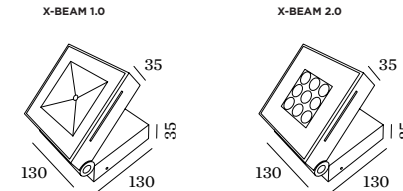
snoot dimensions - optional



base plate dimensions



DIMENSIONS

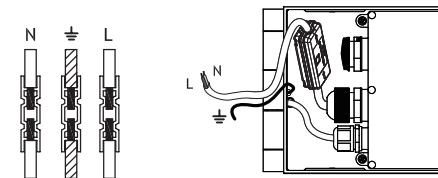


MOUNTING INSTRUCTION

- 1 Remove the base plate
- 2 Fixate the base plate to the wall with screws

POWER CONNECTION

- 3 Connect the wires with waterproof connections in the space in the bottom of the fixture



bottom view

- 4 Fixate the base fixture to the base plate with side screws
- 5 OPTIONAL
Click the snoot on the X-BEAM



WEVER & DUCRÉ
LIGHTING

www.weverducre.com

Wever & Ducre bvba Spinnerijstraat 99/21 8500 Kortrijk

INSTALLATION
INSTRUCTIONS

PAGE 2/2