

SQUBE #2 ON BASE

13-Dec.-2016

1.0 PAR16

2xPAR16 max. 35W | GU10 | 100-240VAC | 50-60Hz

CE IP20 0,9m 90° 355°

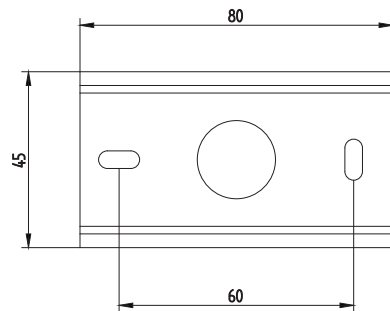
white texture
black texture

144520W0
144520B0

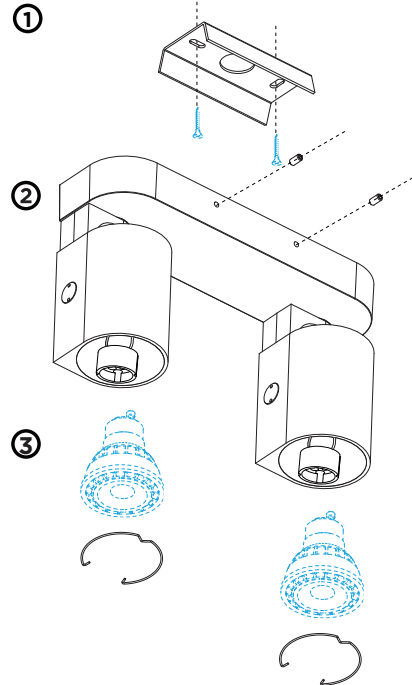
OPTIONAL

for PAR16 lamps see our catalogue

base plate dimensions

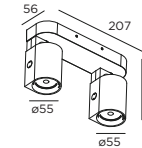


1.0 PAR16



DIMENSIONS

1.0 PAR16

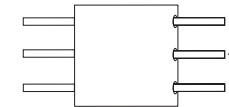


MOUNTING INSTRUCTION

- 1 Remove the screws, put the cables through the opening and mount the base on the ceiling.

POWER CONNECTION

- 2 Interior: connection: STANDARD version



Mount the fixture again with the screws on the base.

- 3 For PAR16: mount the lamp.



WEVER & DUCRÉ
LIGHTING

www.weverducre.com

Wever & Ducre bvba Kwadestraat 153 bus 2.1 8800 Roeselare

INSTALLATION
INSTRUCTIONS