

HEXO

17-Dec.-2016

2.0 LED

LED 2x8W | 220-240VAC | 50-60Hz | COB 2-step | incl. PS | phase-cut dim

CE IP20 0.3m 36°

white texture	146664W_
gold	146664G_
bronze	146664Q_
copper	146664P_
black texture	146664B_

LIGHT COLOUR

2700K >80CRI 2x600lm	2
3000K >80CRI 2x600lm	4
1800-2850K >90CRI 2x410lm	9

2.0 PAR16

2xPAR16 max. 35W | GU10 | 100-240VAC | 50-60Hz

CE IP20 0.9m

white texture	146620W0
gold	146620G0
bronze	146620Q0
copper	146620P0
black texture	146620B0

OPTIONAL

for PAR16 lamps see our catalogue

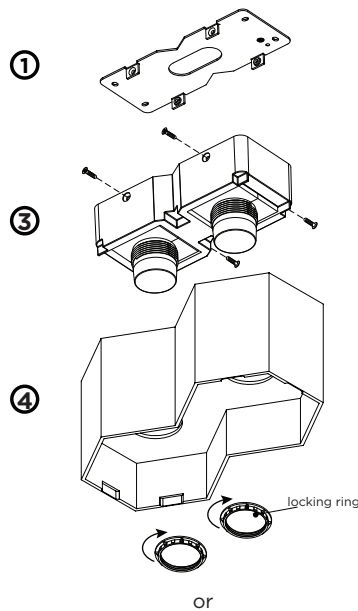
OPTIONAL

single inner cover max. 10W

white texture	911031W1
gold	911031G1
black texture	911031B1

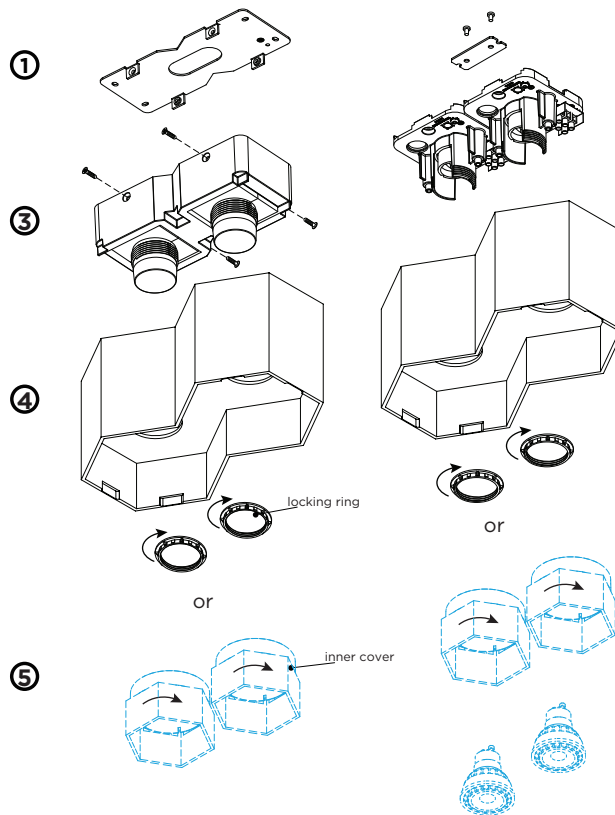
2.0 LED

Double module integration

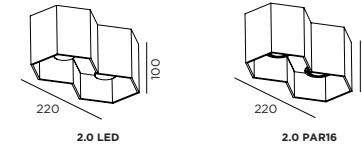


2.0 PAR16

Two bases are connected together



DIMENSIONS



MOUNTING INSTRUCTION

- FOR 2.0 LED**
Mount the base plate on the ceiling with screws.
FOR 2.0 PAR16
Attach both bases to each other by using the plate (plate can be found inside the cover box)
 - POWER CONNECTION**
Connect wiring to the power supply (for LED) or to terminal block (for PAR16)
-
- FOR 2.0 LED**
Attach the LED Double module on the base plate with allen-screws.
 - Attach the HEXO cover to the luminaire base by screwing both locking rings.
 - OPTIONAL inner cover**
put both inner covers in the outer cover by screwing.
with inner cover: **max. 10W**
when using the inner cover you don't need the locking ring.



WEVER & DUCRÉ
LIGHTING

www.weverducre.com

Wever & Ducre bvba Kwadestraat 153 bus 2.1 8800 Roeselare

INSTALLATION
INSTRUCTIONS