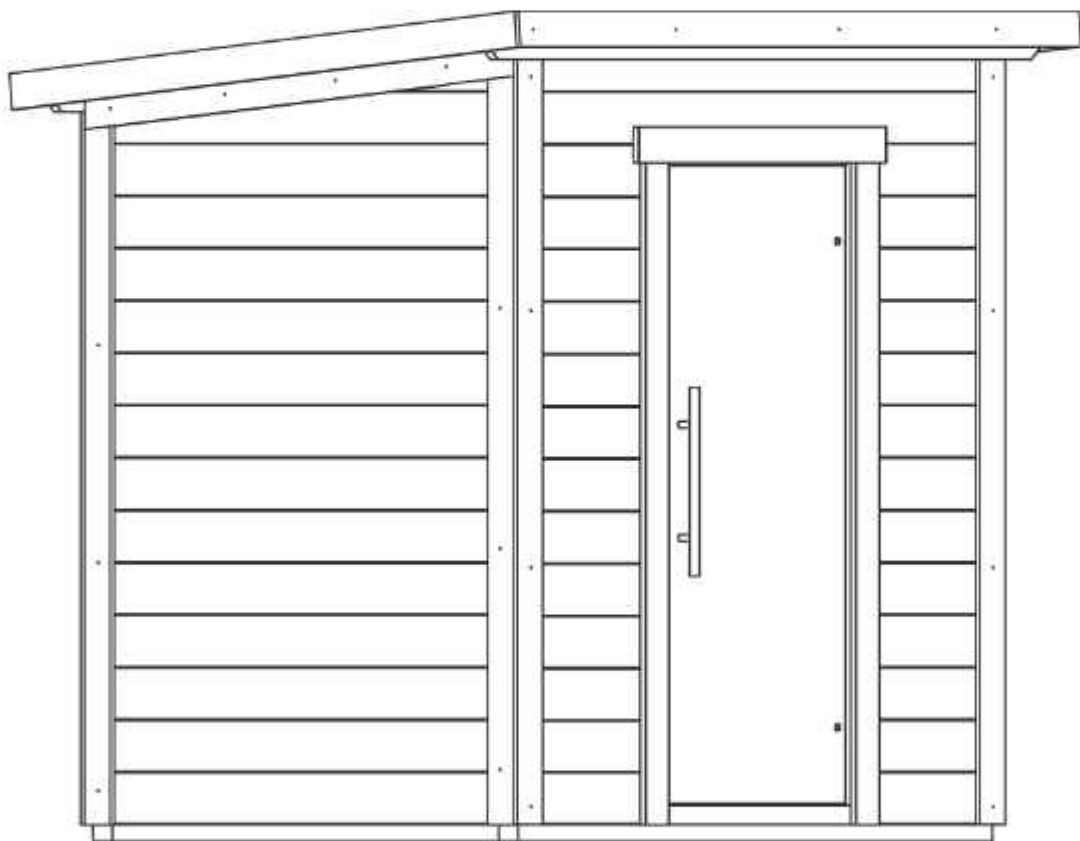
































## Model G2 Sauna Room Installation Manual

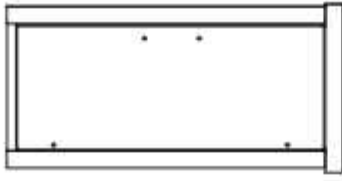
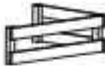
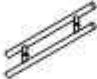




Note: Please read manual before construction

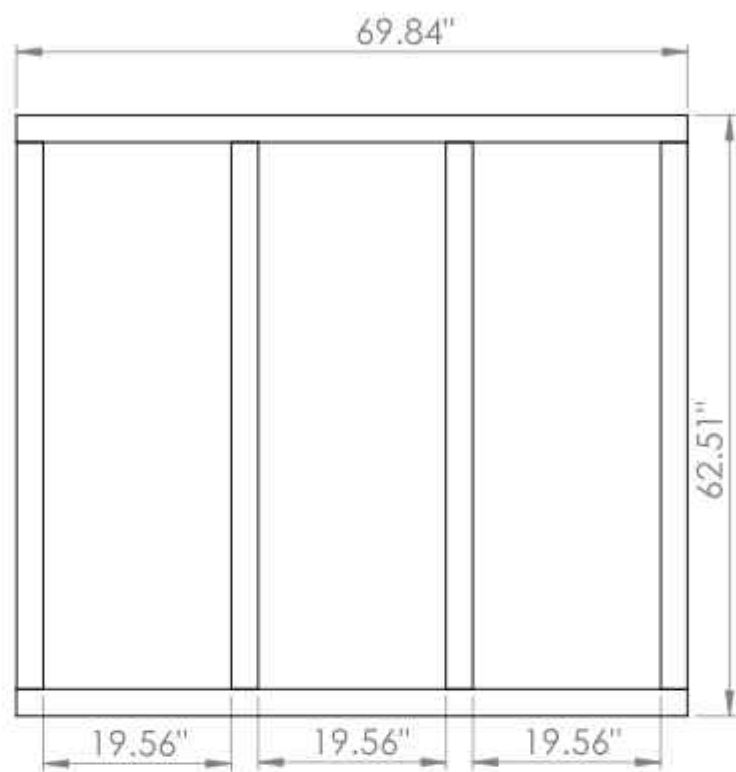
1.1		1.73" x 2.79" x 69.84"	2
1.2		1.73" x 2.79" x 56.92"	4
2.1		1.73" x 1.73" x 81.69"	2
2.2		1.73" x 1.73" x 76.57"	2
W1		1.65" x 5.70" x 70.62"	16
W2		1.65" x 5.70" x 61.41"	28
W3		1.65" x 5.70" x 20.27"	13
W4		1.65" x 5.70" x 20.27"	13
L1		1.65" x 5.31" x 61.41"	1
L2		1.65" x 5.31" x 61.41"	1

3.1		.59" x 3.74" x 79.60"	2
3.2		.59" x 3.74" x 74.17"	2
3.3		.59" x 3.74" x 77.91"	2
3.4		.59" x 3.74" x 72.71"	2
3.5		.59" x 3.74" x 63.62"	2
4.1		1.10" x 2.79" x 81.29"	2
4.2		1.65" x 5.70" x 74.56"	15
4.3		.70" x .98" x 81.29"	1
5		.74" x 3.74" x 66.92"	16

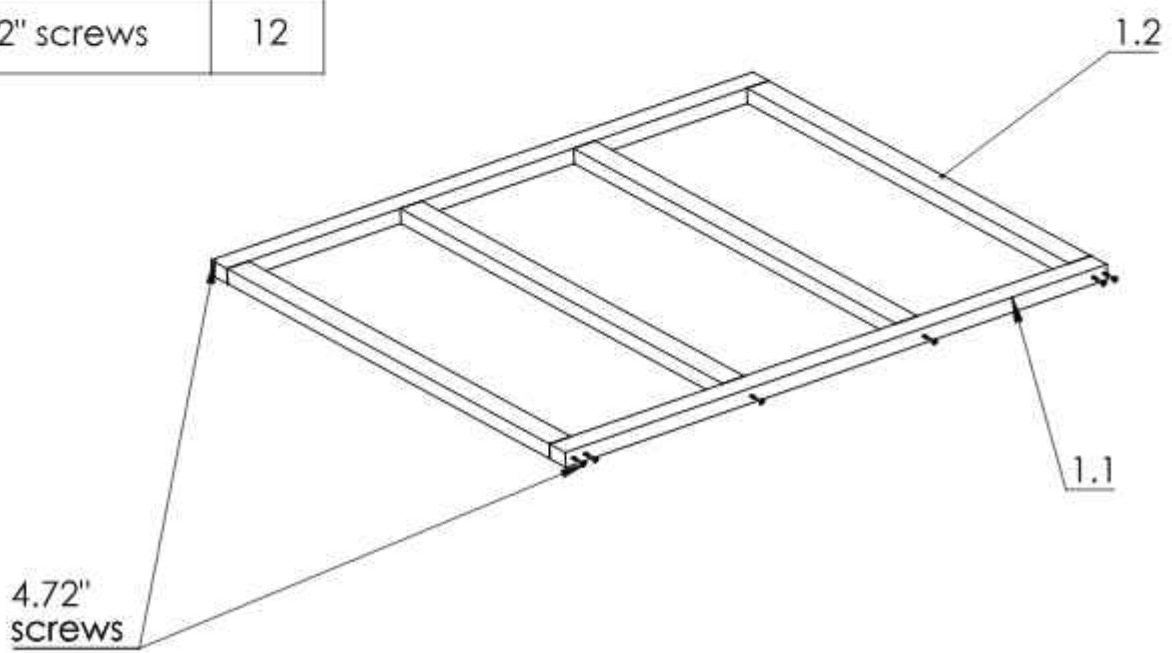
6.1		1.73" x 1.73" x 20.27"	2
6.2		1.73" x 1.73" x 11.10"	2
7.1		.59" x 3.74" x 82.48"	1
7.2		.59" x 3.74" x 74.56"	2
Bench1		66.92" x 21.37" x 66.92"	1
Bench2		66.92" x 3.54" x 8.66"	1
Bench3		29.33" x 15.66" x 3.54"	1
Backrest1		66.92" x 10.23" x 1.96"	1
Backrest2		36.45" x 10.23" x 1.96"	1

Door		72.63" x 36.41" x 3.22"	1
T		28.70" x 2.39"	1
H			1

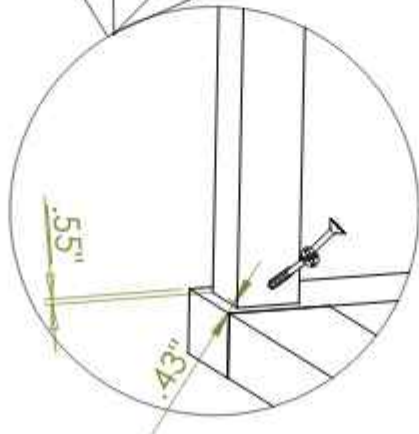
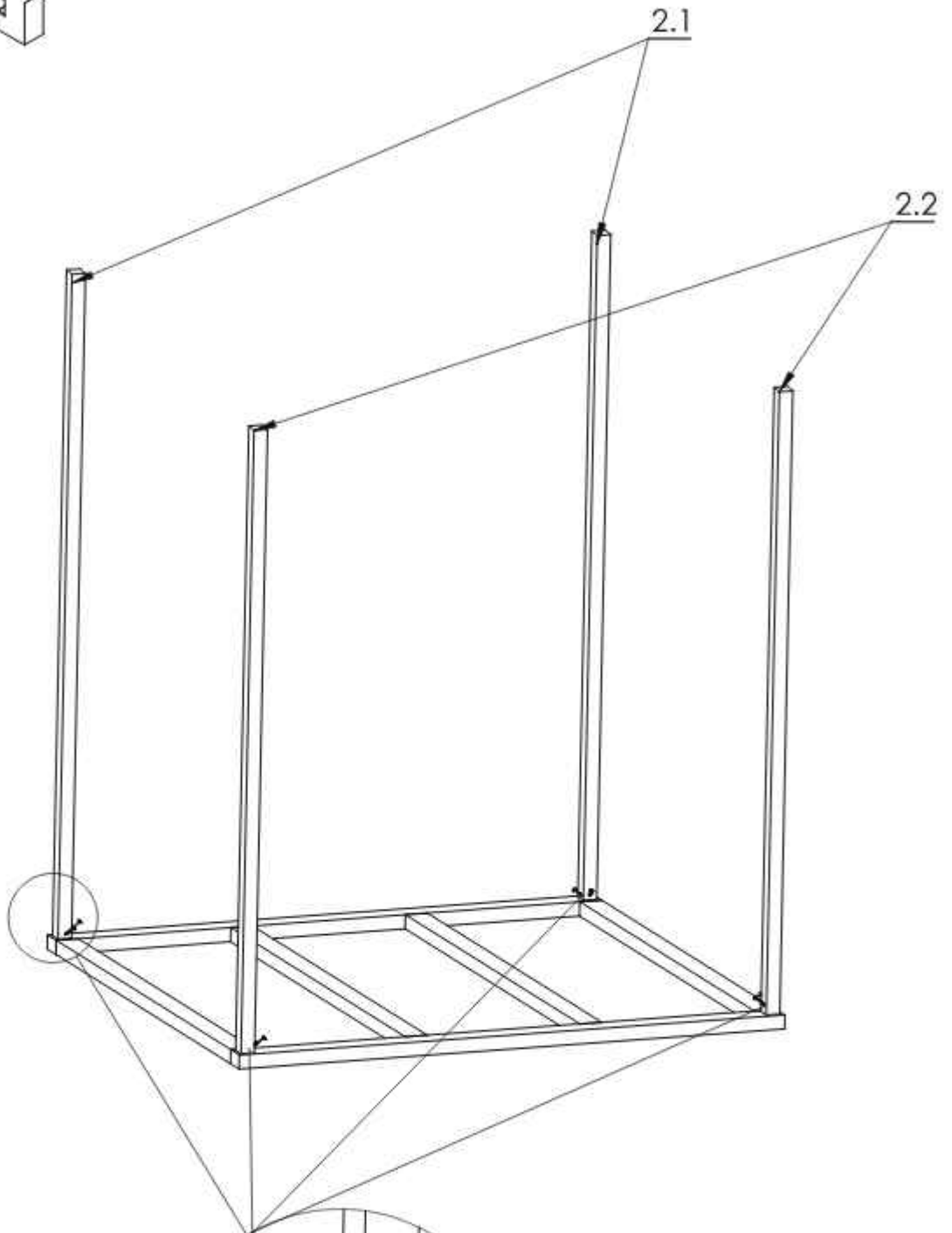
Screws	.19" x 4.72"	12
Screws	.17" x 2.75"	228
Screws	.15" x 2.36"	14
Screws	.15" x 1.96"	68
Screws	.13" x 1.57"	82
Screws	.18" x .98"	12
Nails		128
E		2
G		2



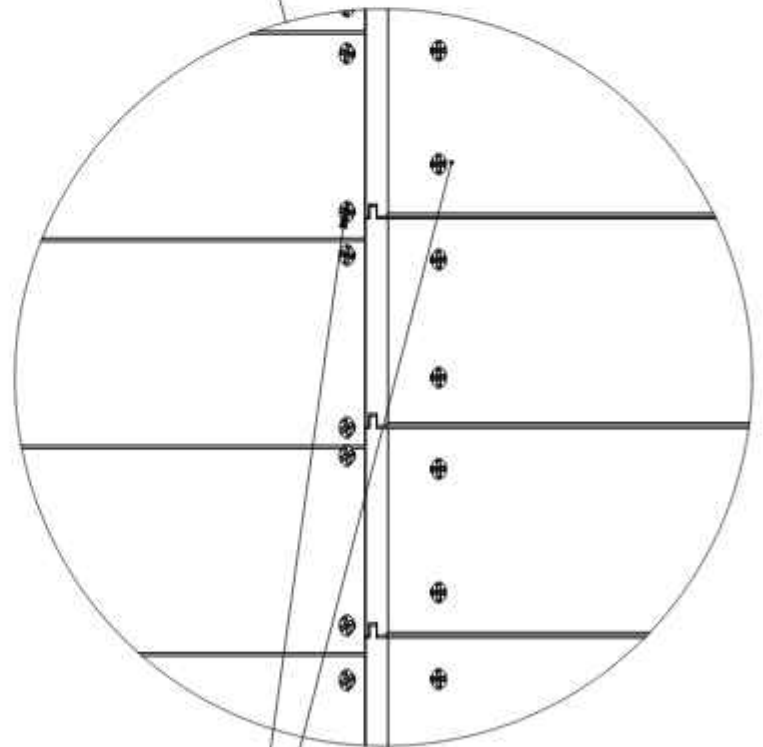
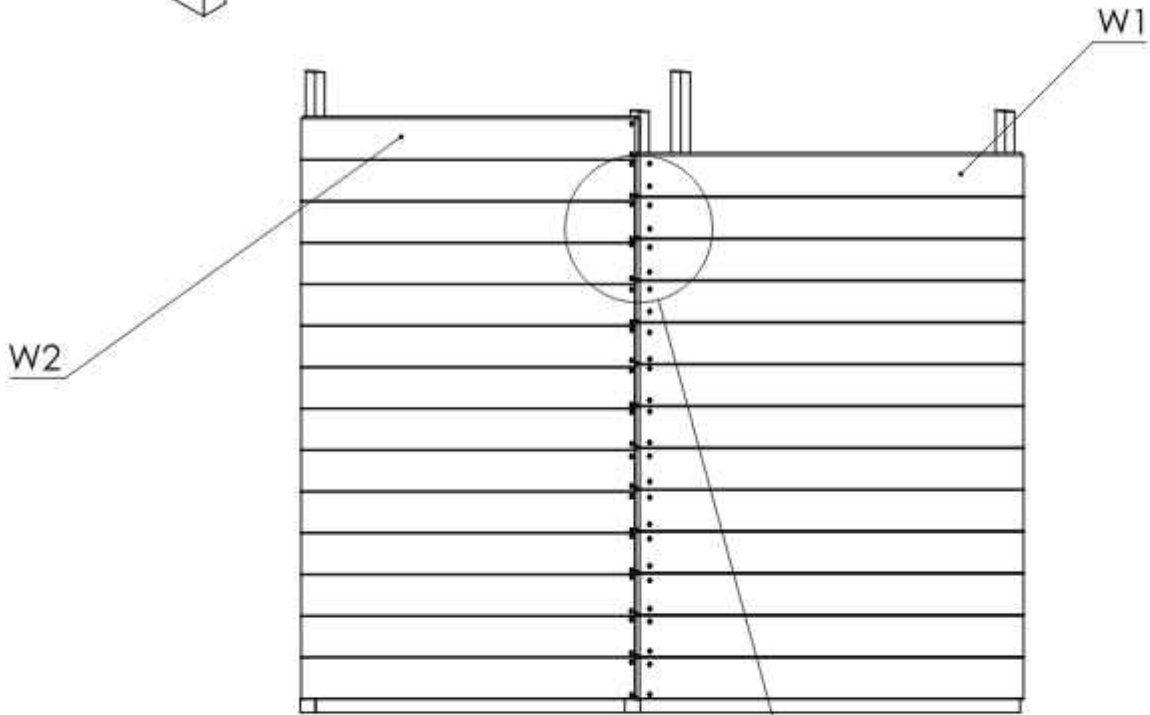
1.1	2
1.2	4
4.72" screws	12



Ø.19"



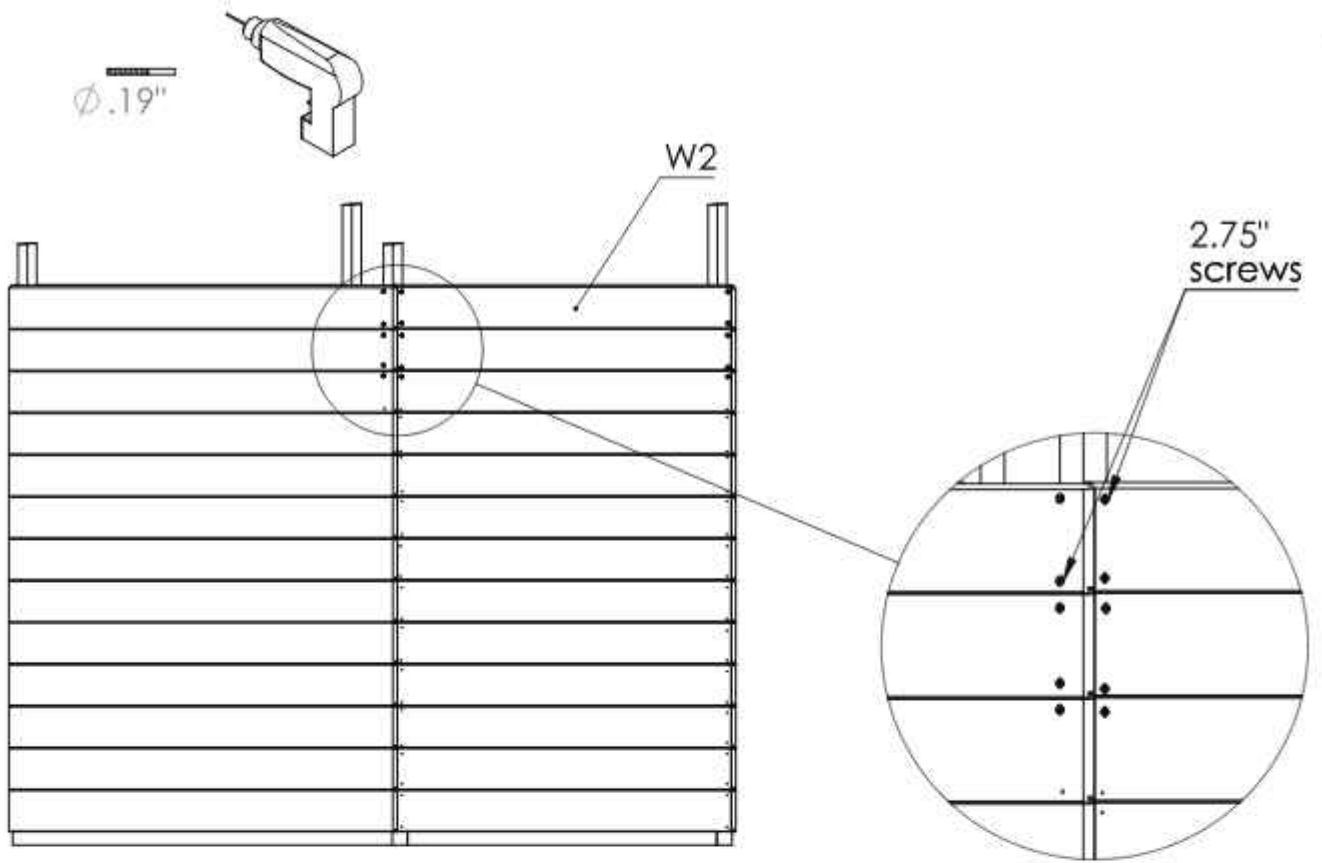
2.1	2
2.2	2
1.96" screws	8



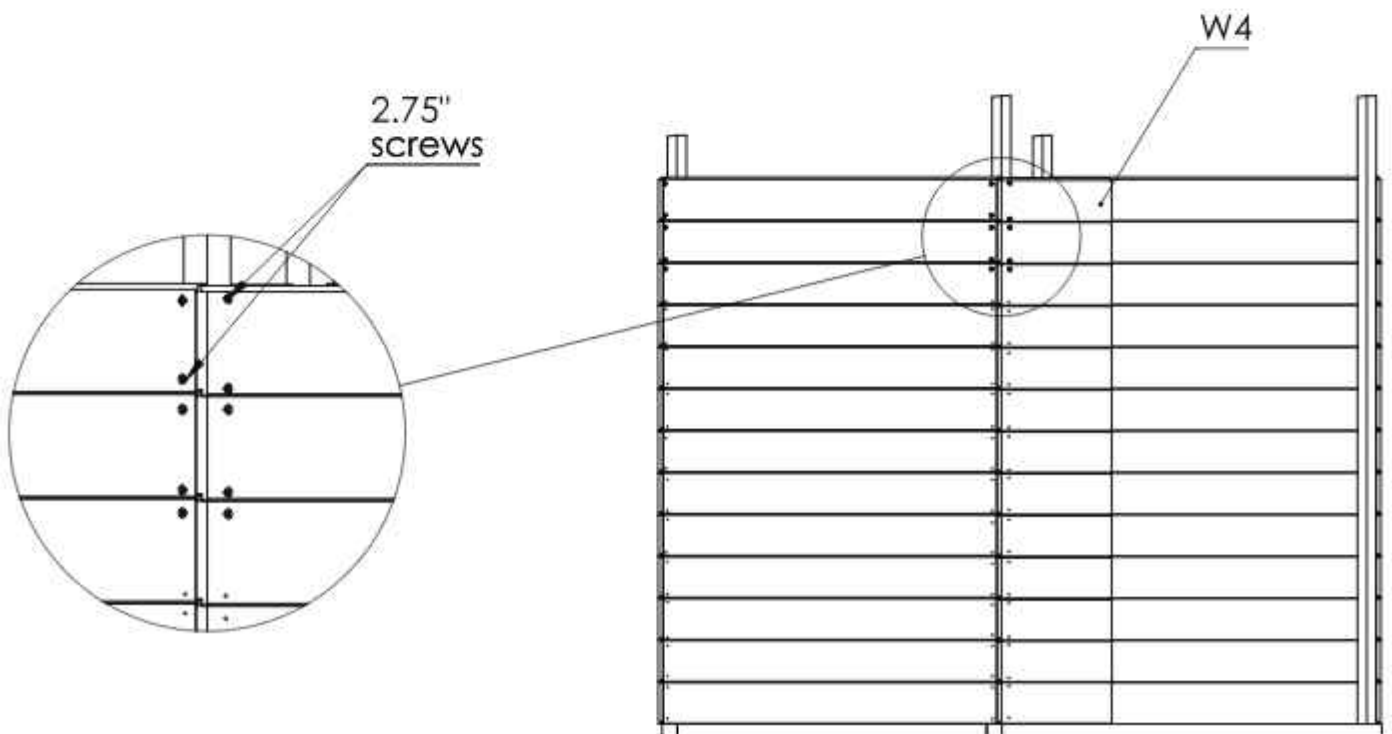
W1	13
W2	14
2.75" screws	54

2.75"  
screws

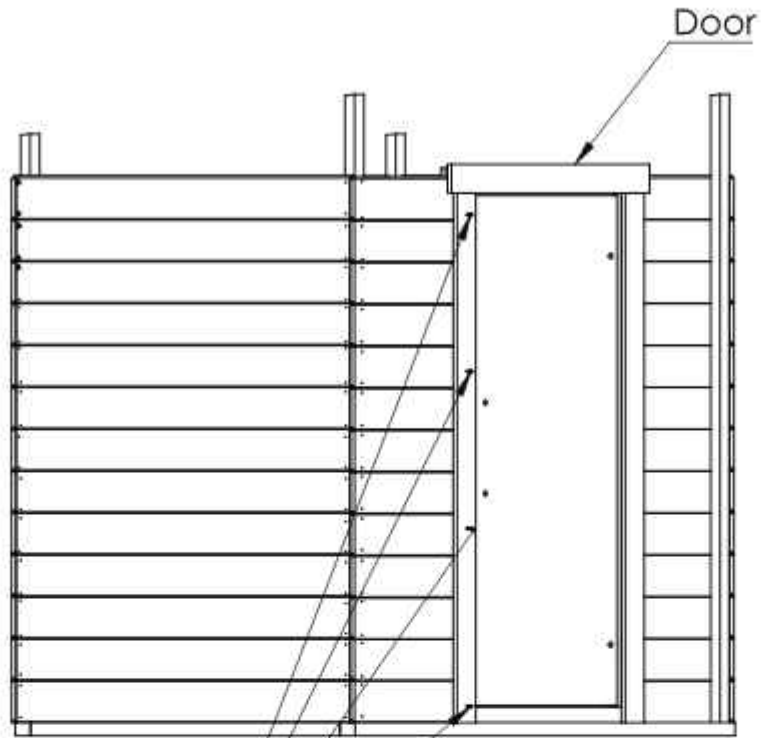




W2	13
W4	13
2.75" screws	104

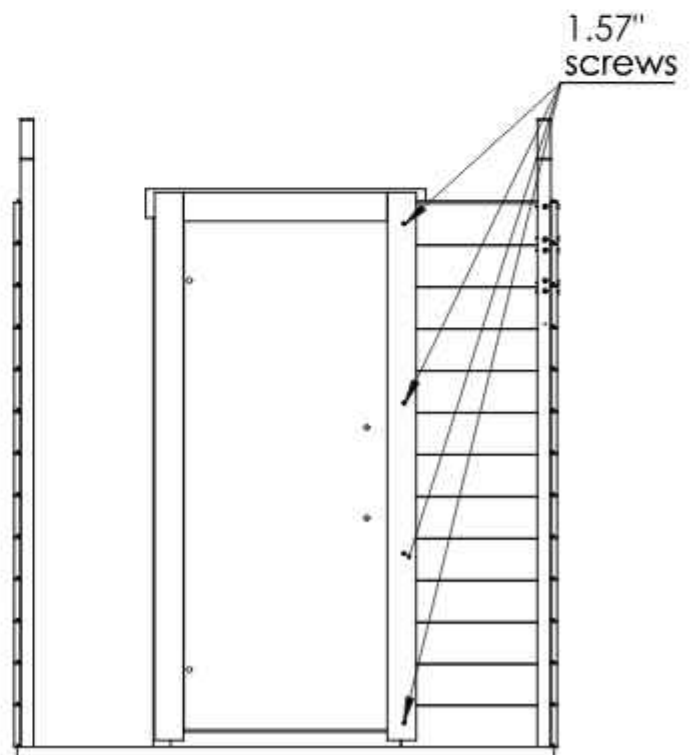


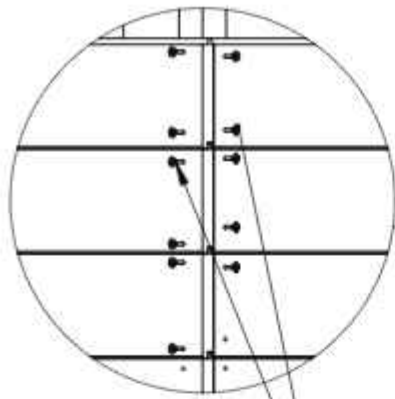
Ø.19"



1.57" screws

Door	1
1.57" screws	8



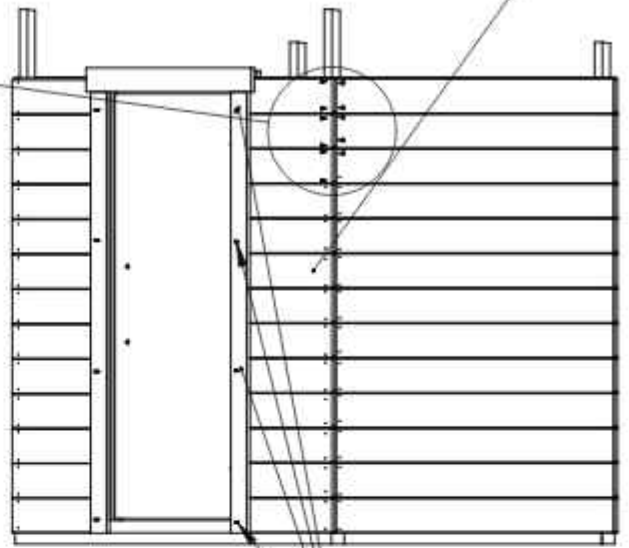


2.75" screws

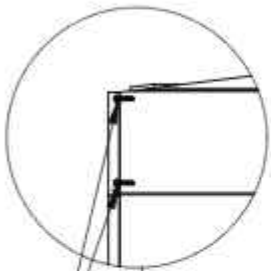


Ø .19"

w3



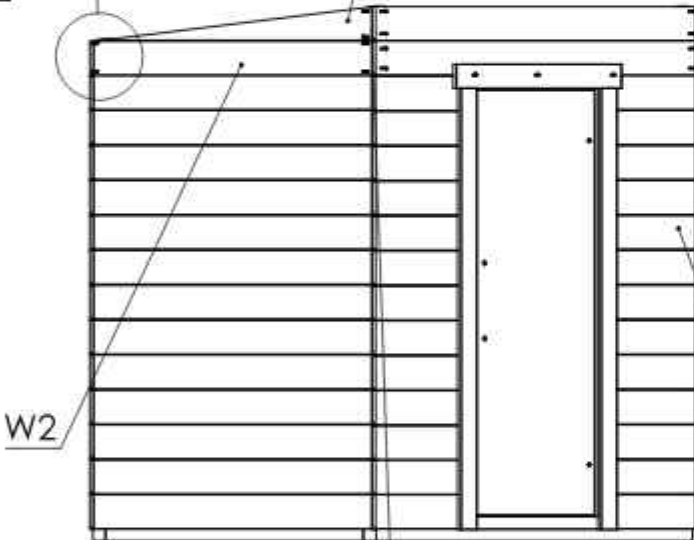
40mm screws



L2

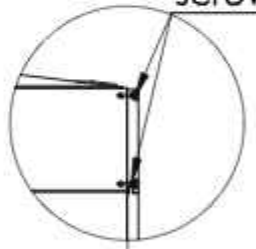
2.75" screws

W1	2
W2	2
W3	13
L1	1
L2	1
2.75" screws	46
1.57" screws	14

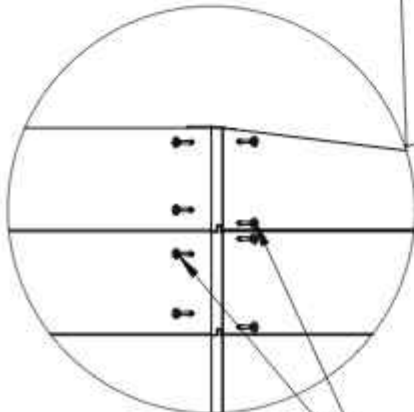


W2

w3



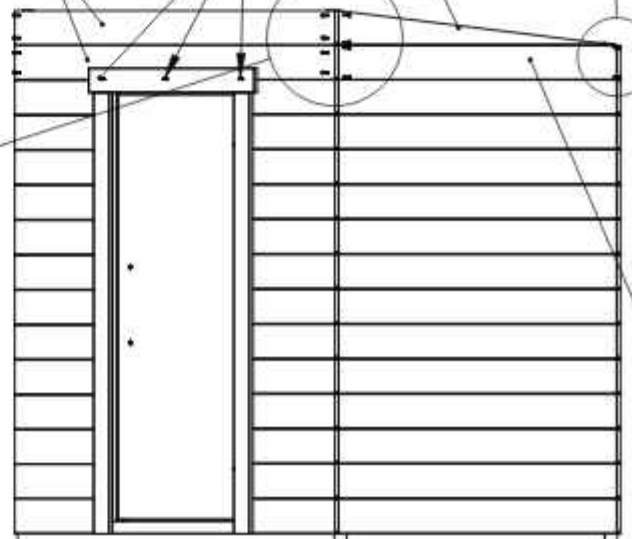
2.75" screws



2.75" screws

1.57" L1 screws

W1

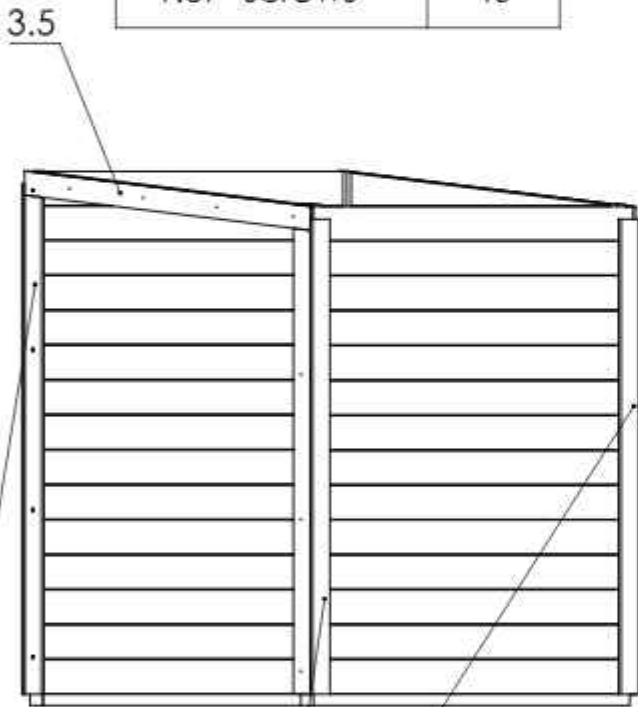
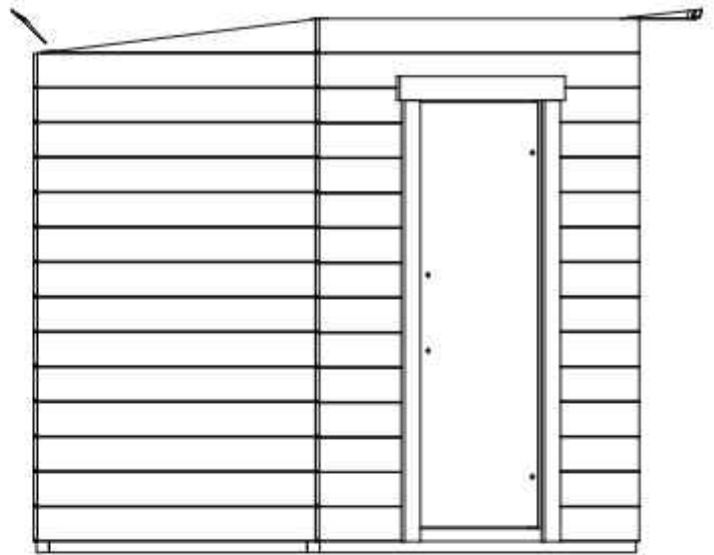


W2

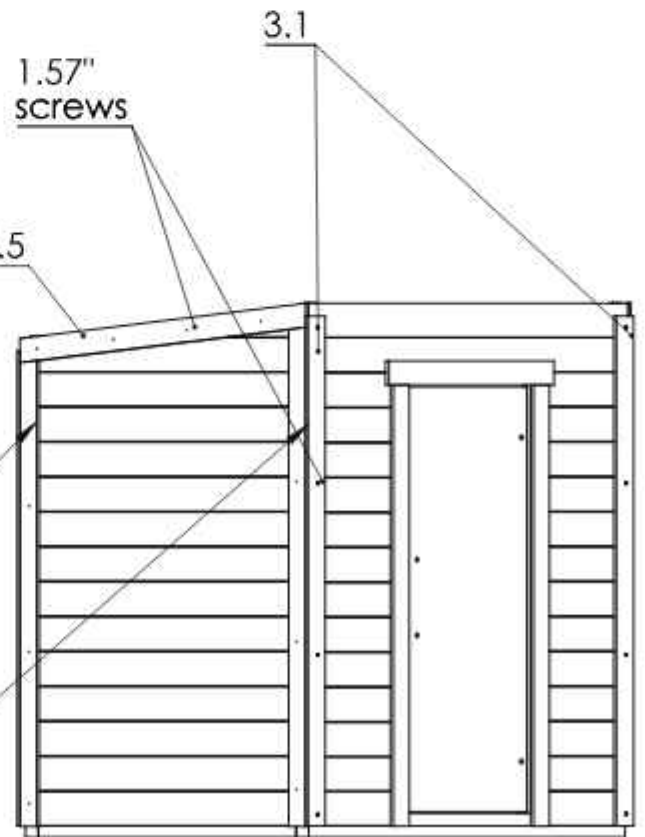
Ø.19"

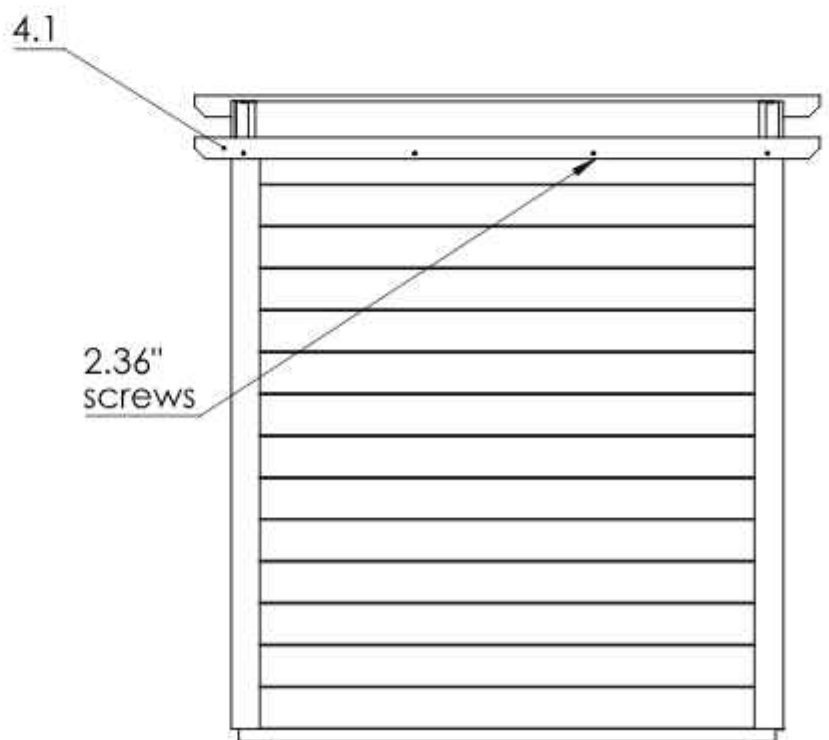
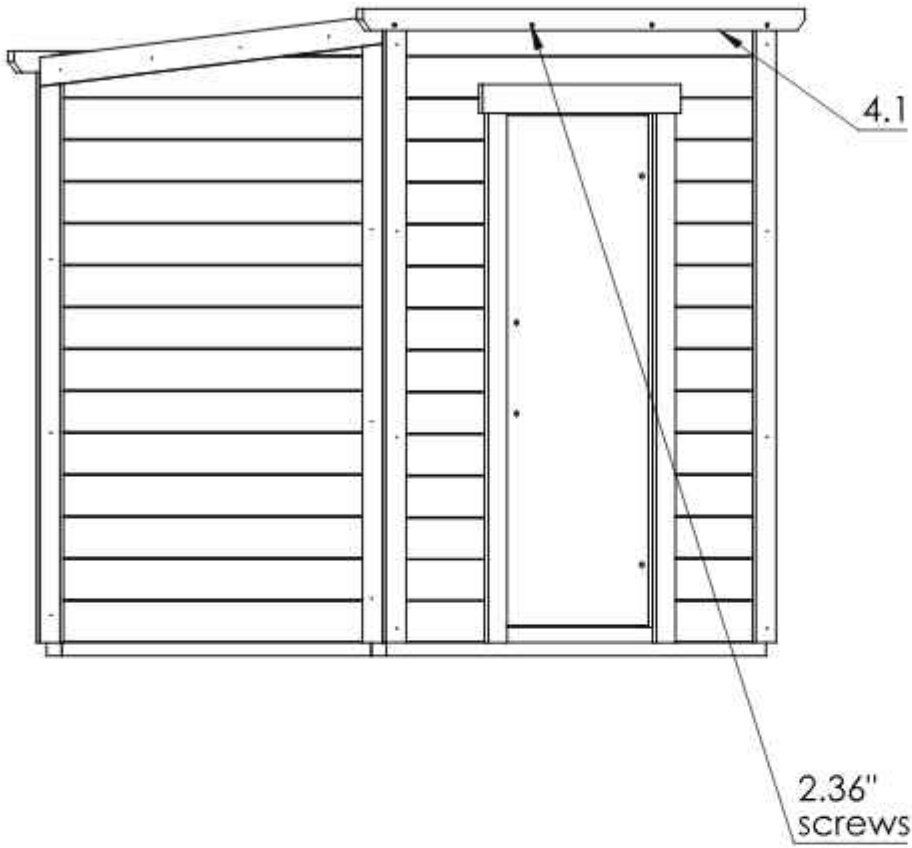
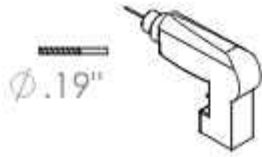


3.1	2
3.2	2
3.3	2
3.4	2
3.5	2
1.57" screws	40



3.4

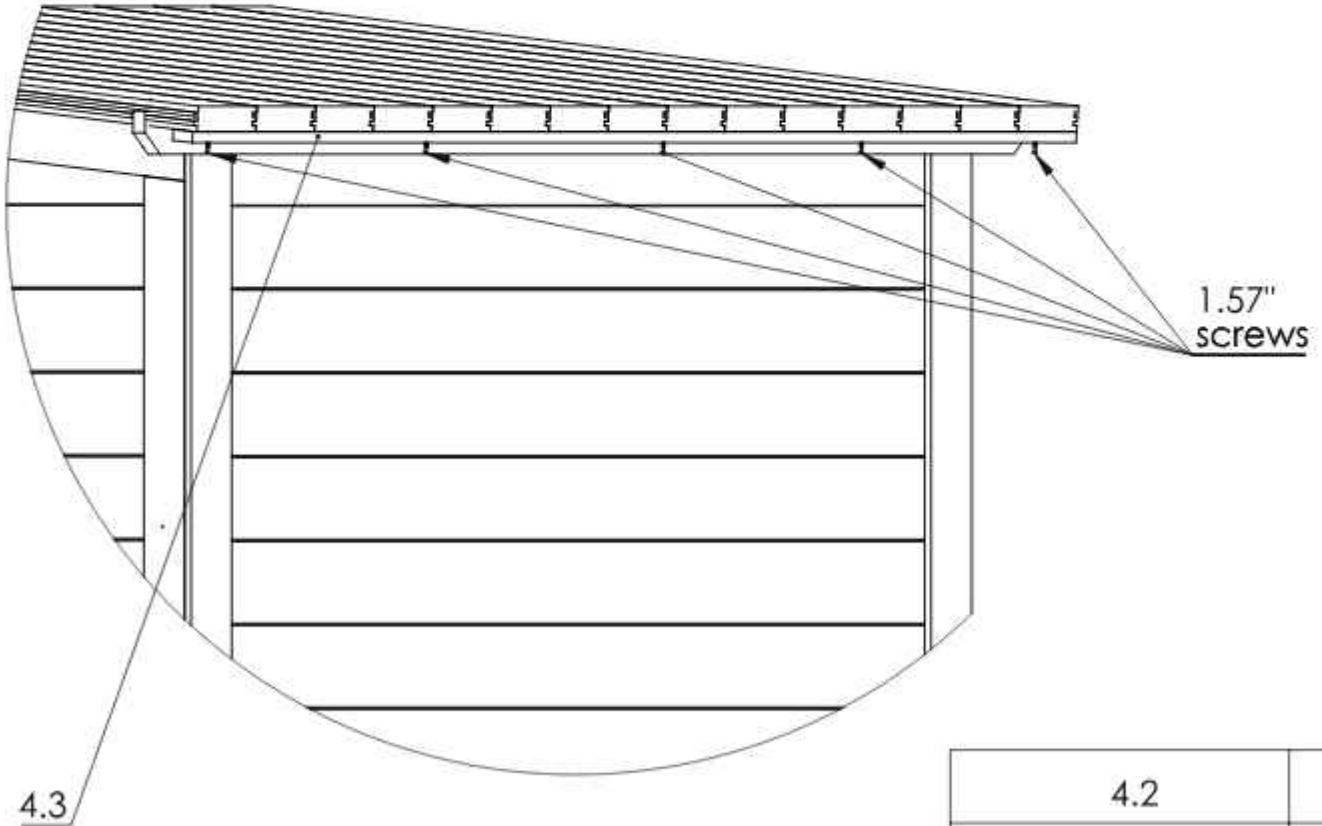
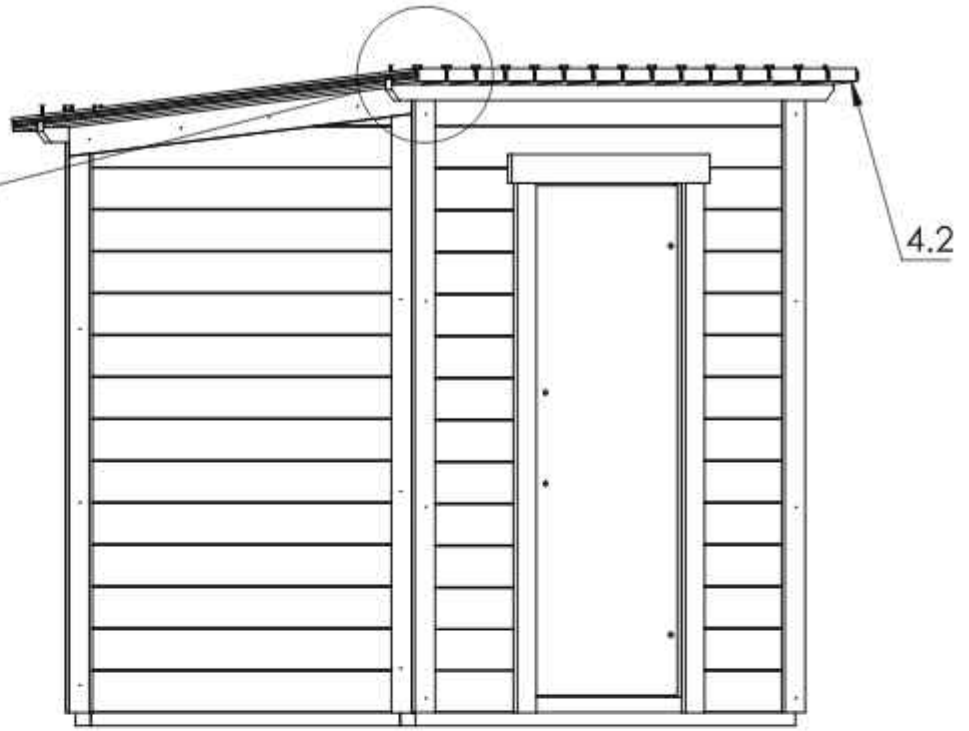
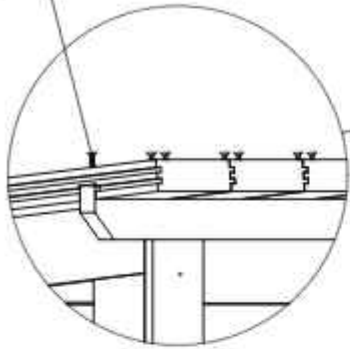




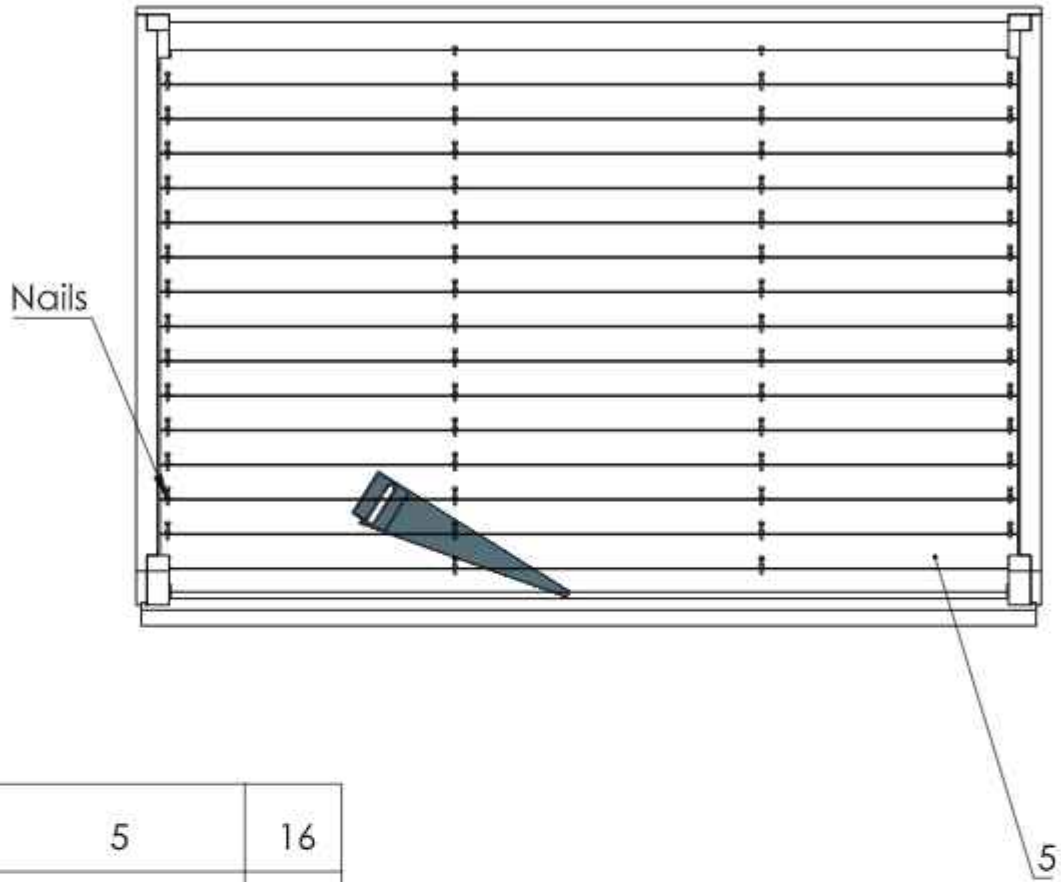
4.1	2
2.36" screws	8



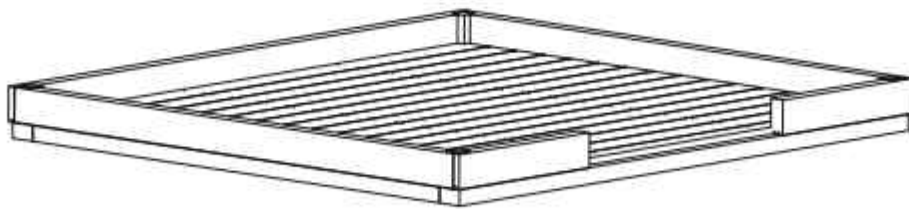
1.96" screws



4.2	15
1.96" screws	60
4.3	1
1.57" screws	5

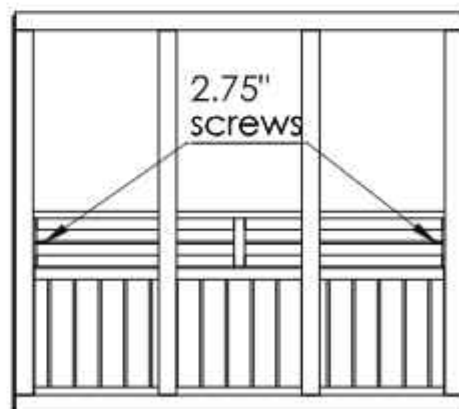
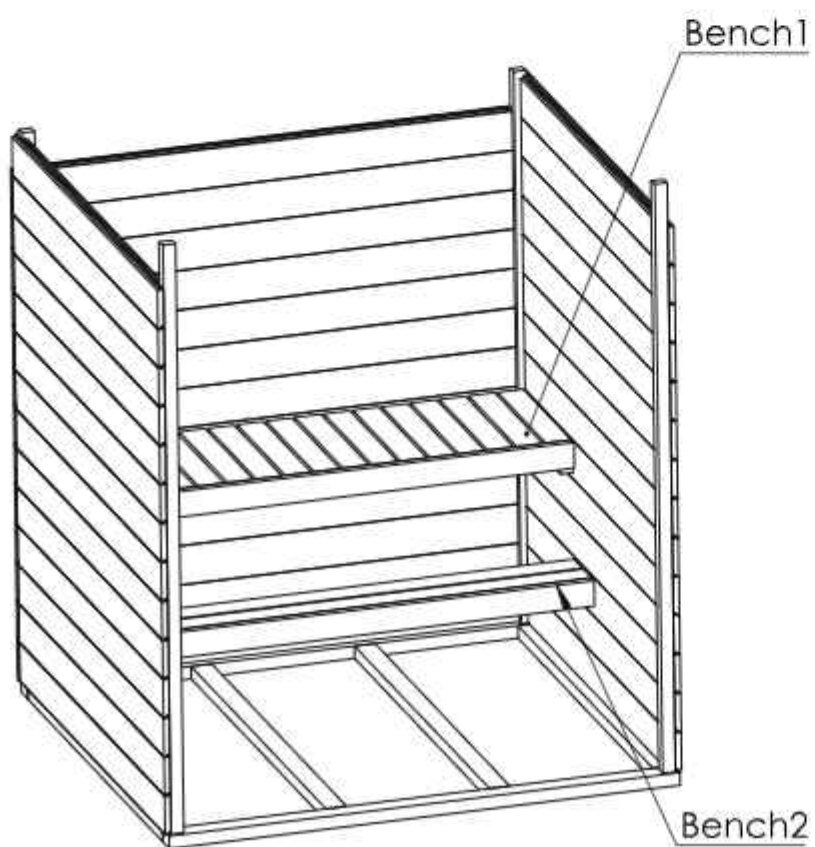
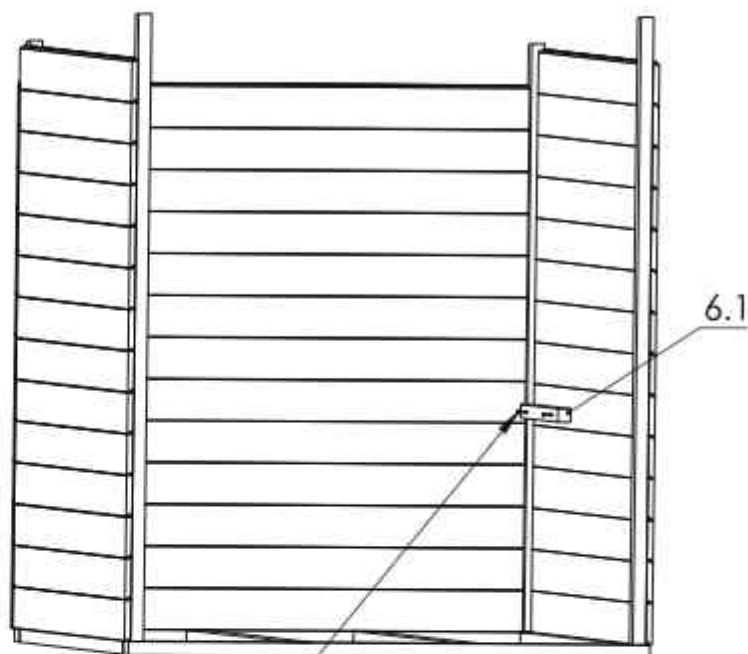


5	16
Nails	128

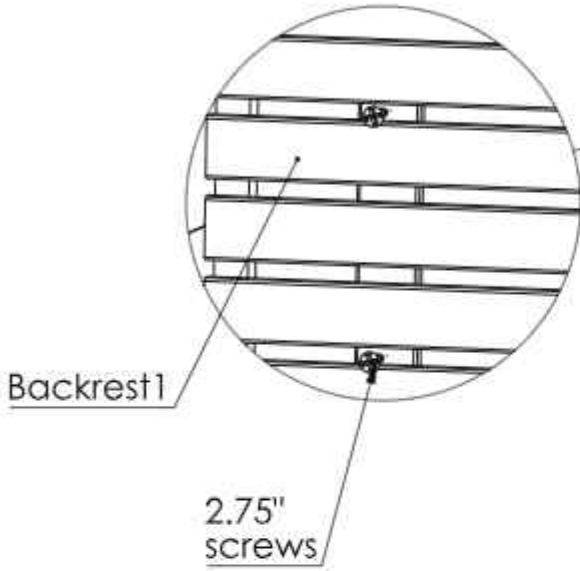
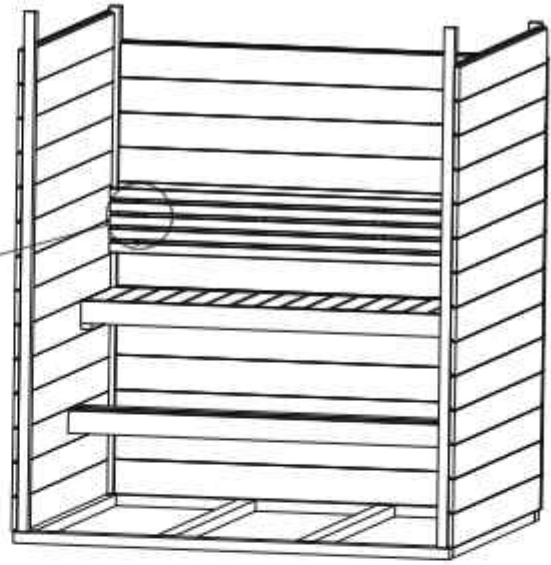




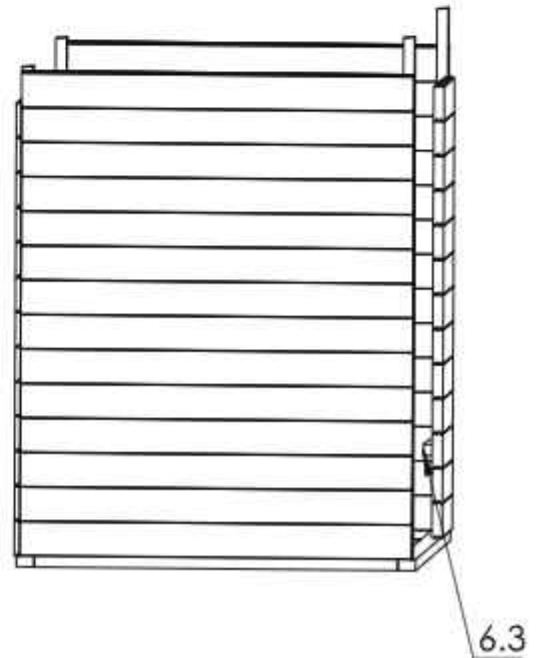
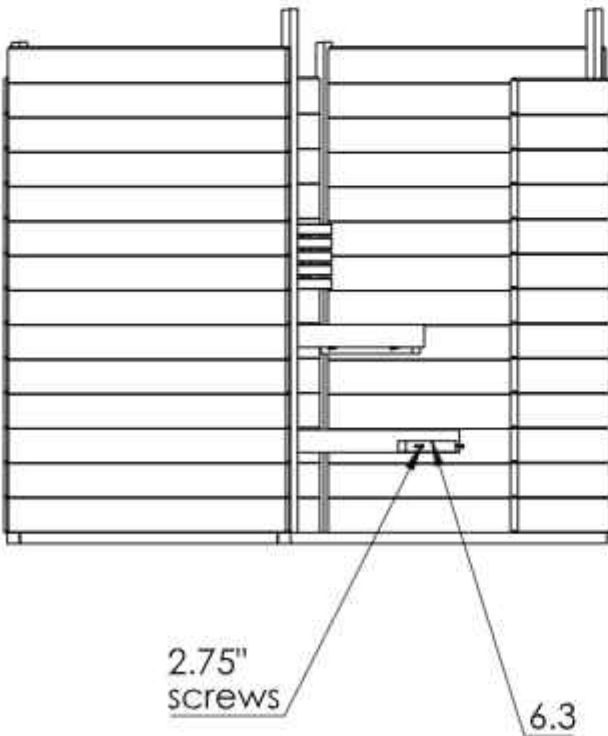
6.1	2
Bench1	1
Bench2	1
2.75" screws	6

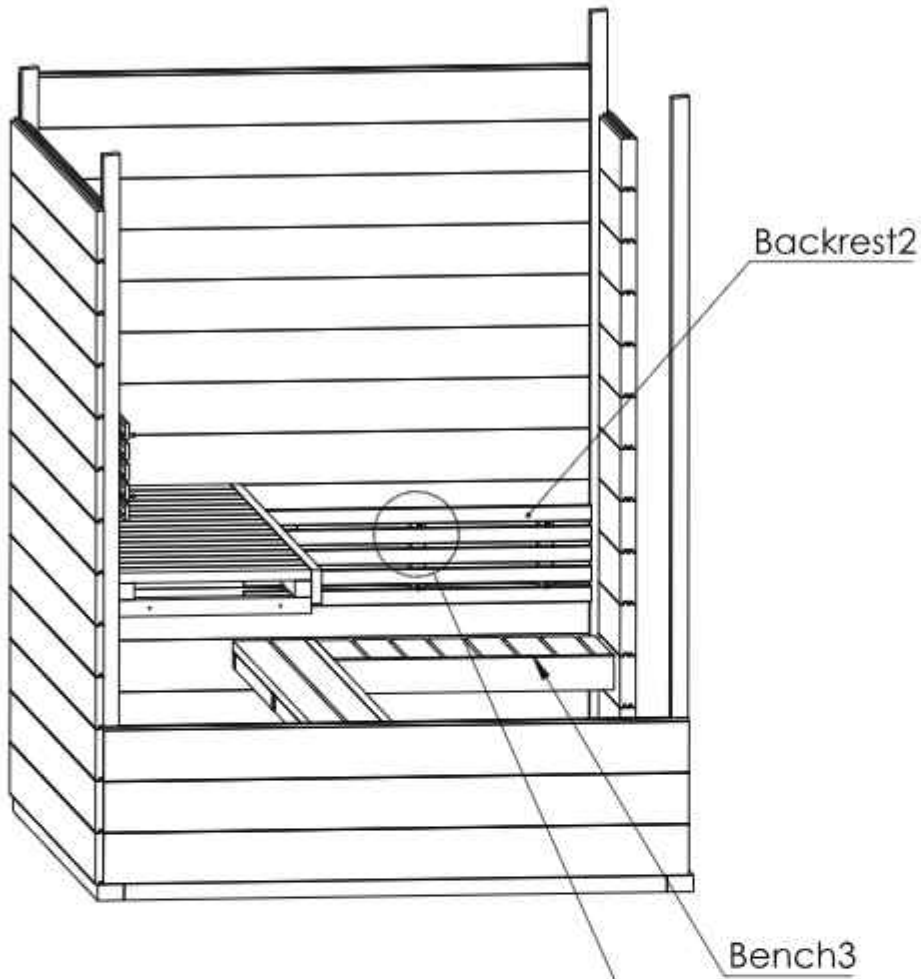
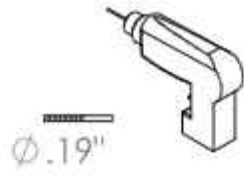




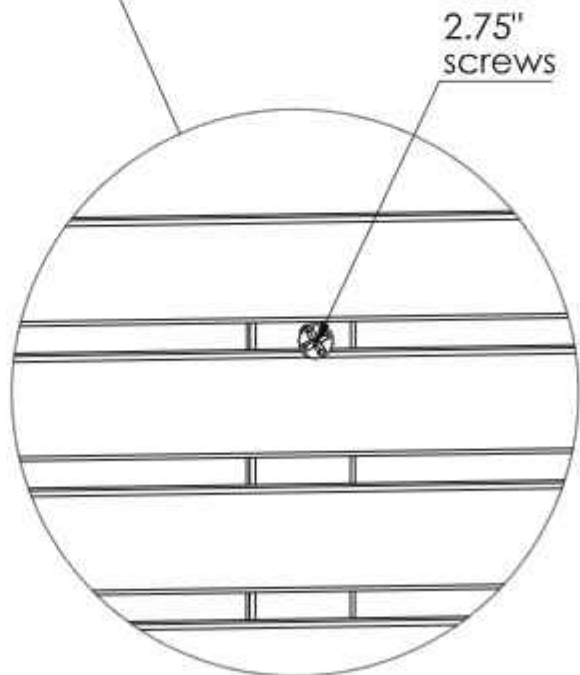


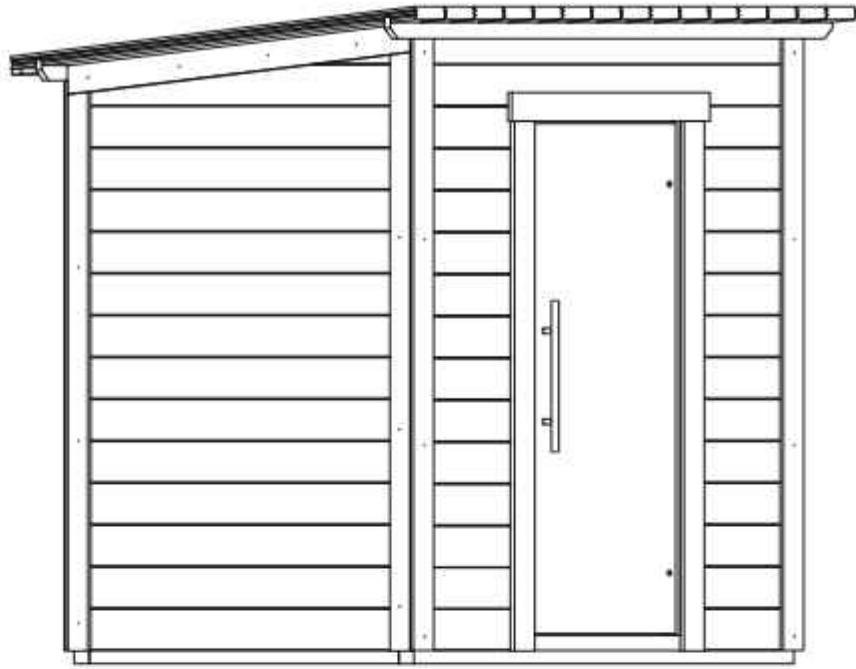
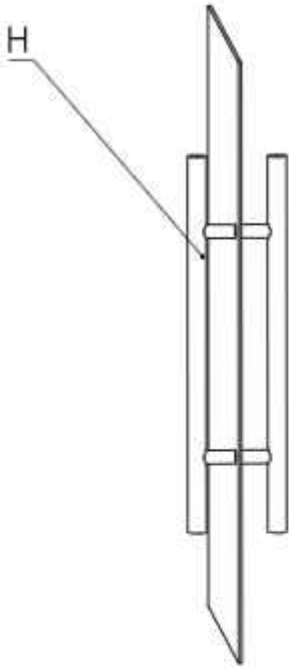
Backrest1	1
6.3	2
2.75" screws	12



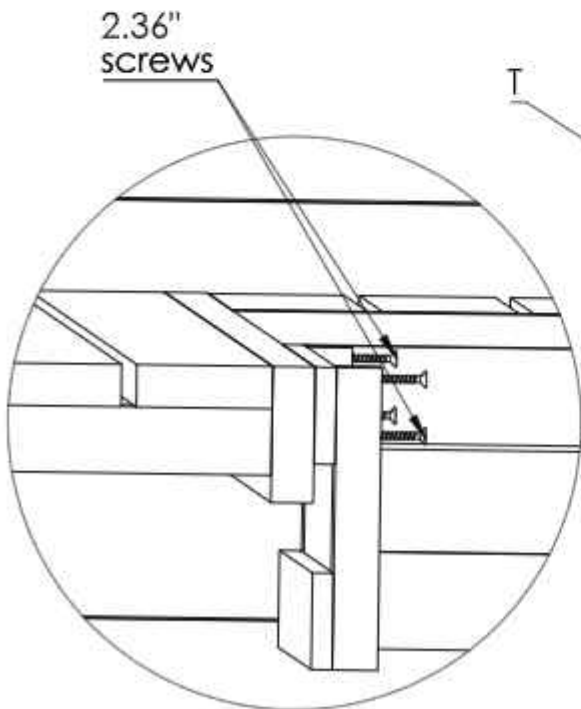


Bench3	1
Backrest2	1
2.75" screws	6

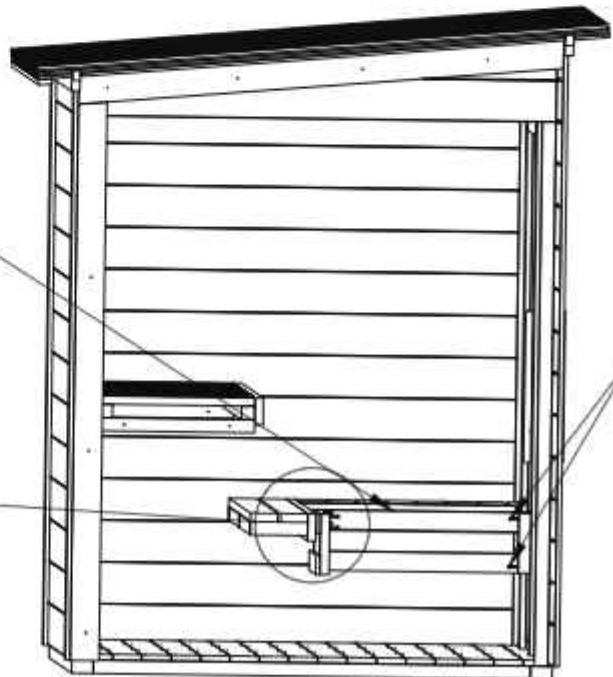




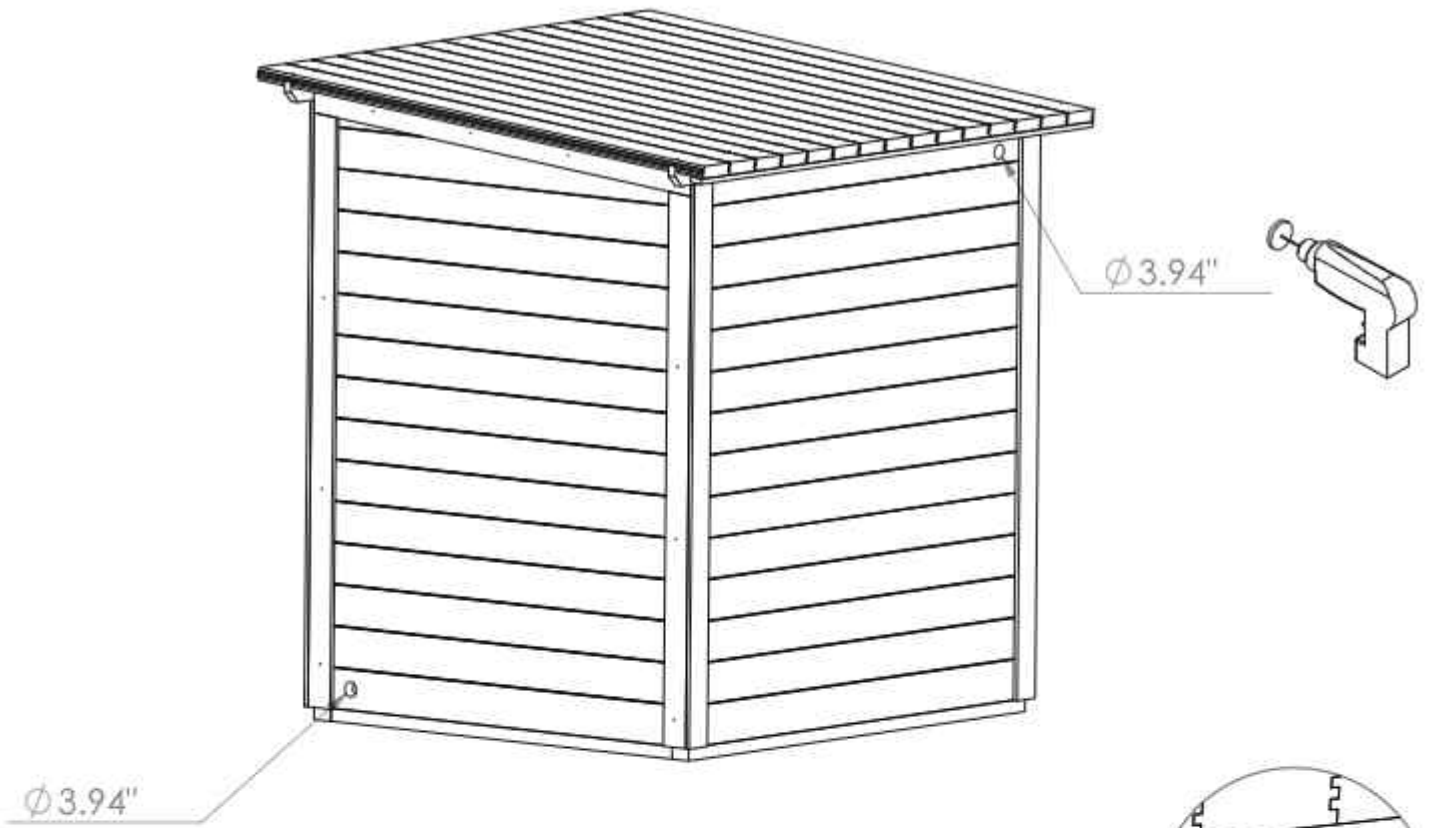
H	1
T	1
2.36" screws	6



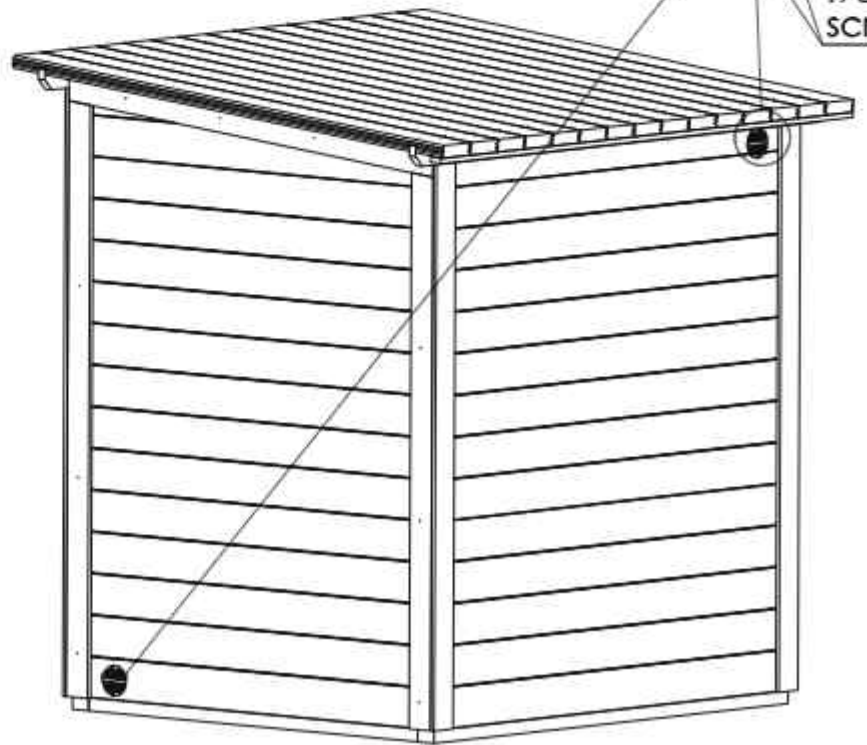
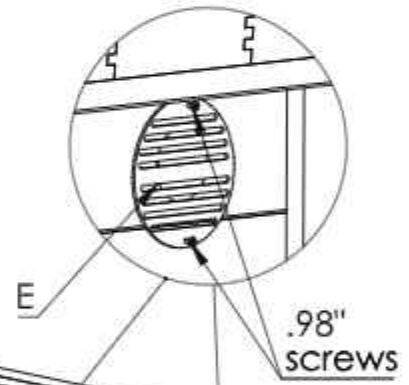
T

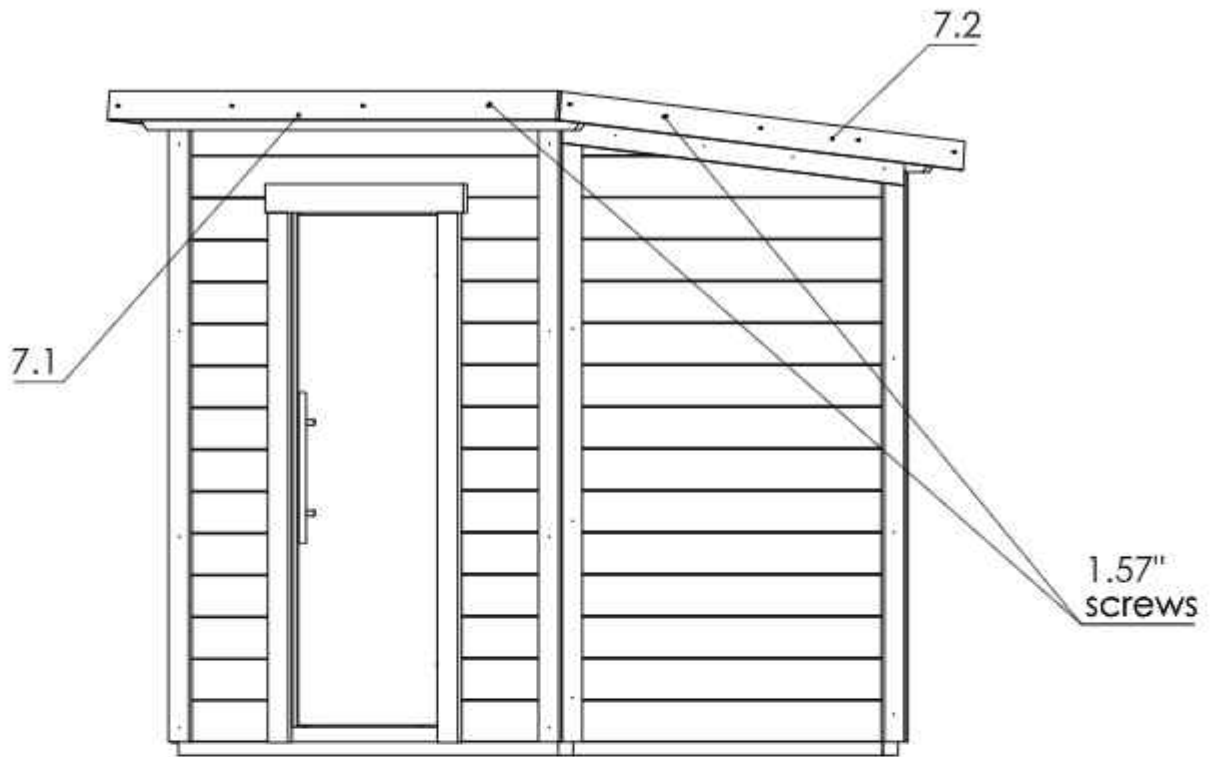


2.36" screws



E	4
G	2
.98" screws	12





7.1	1
7.2	2
1.57" screws	15

