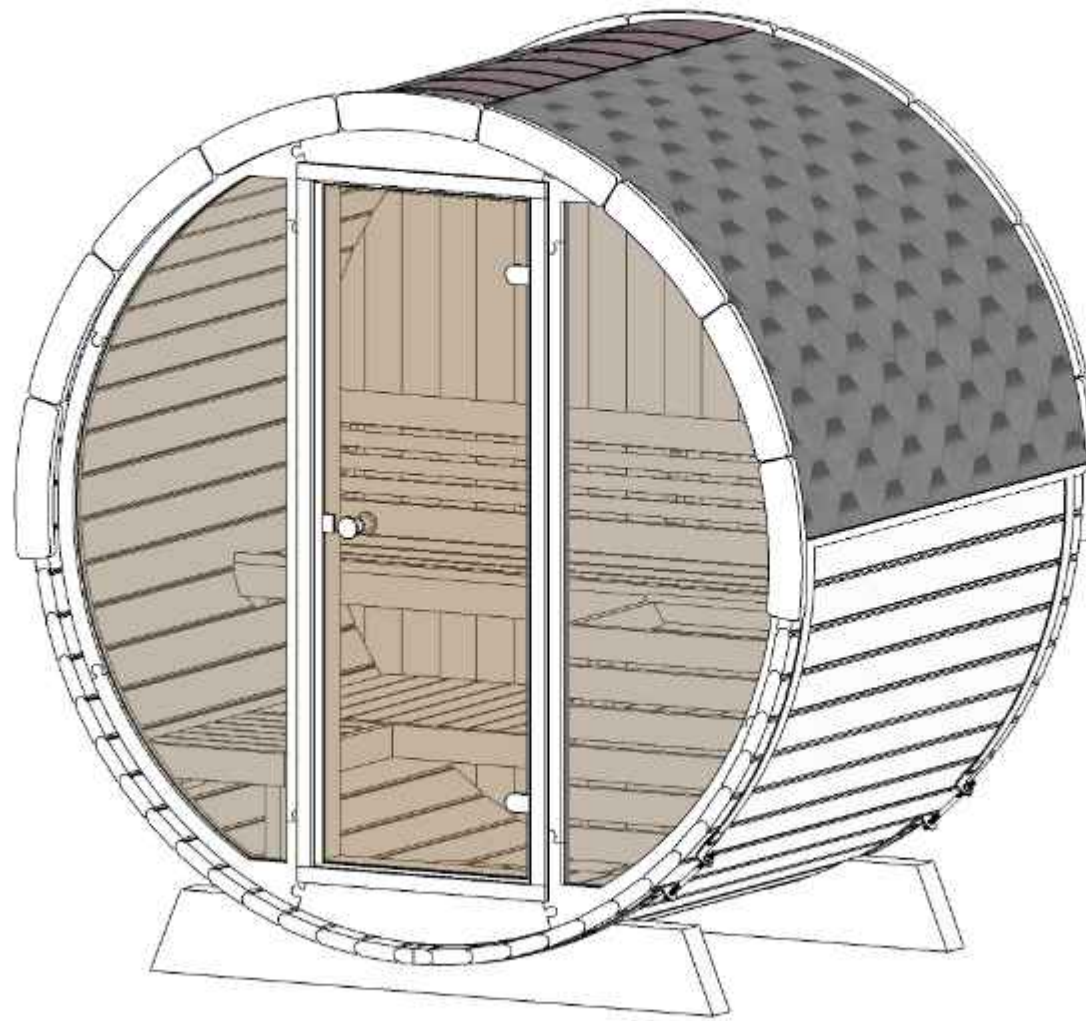




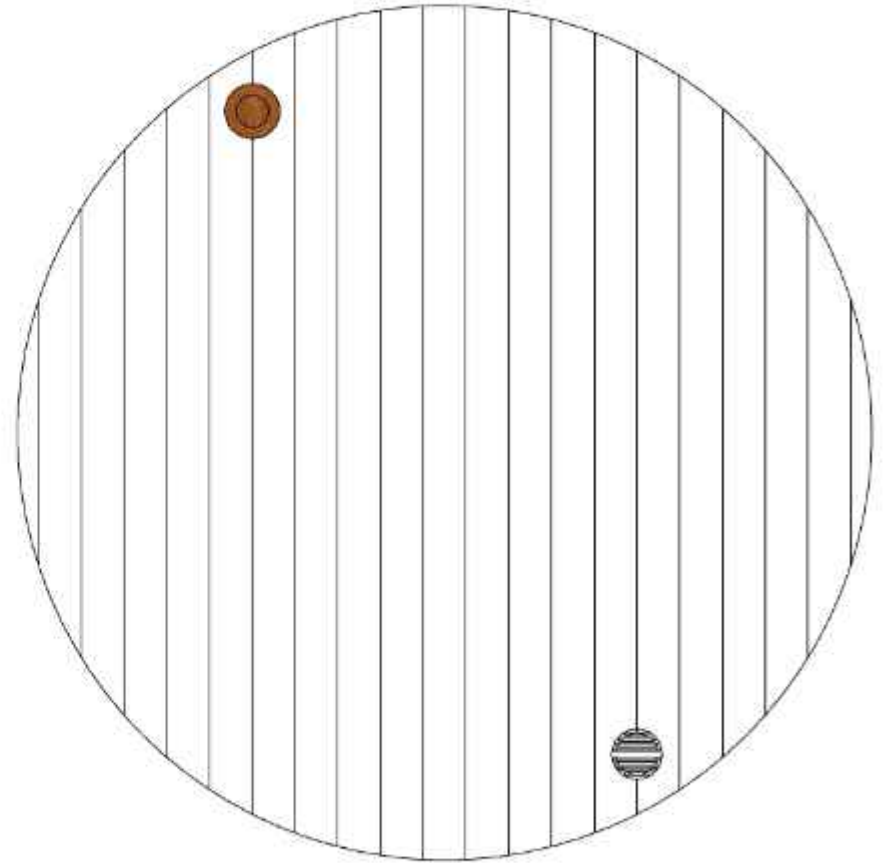
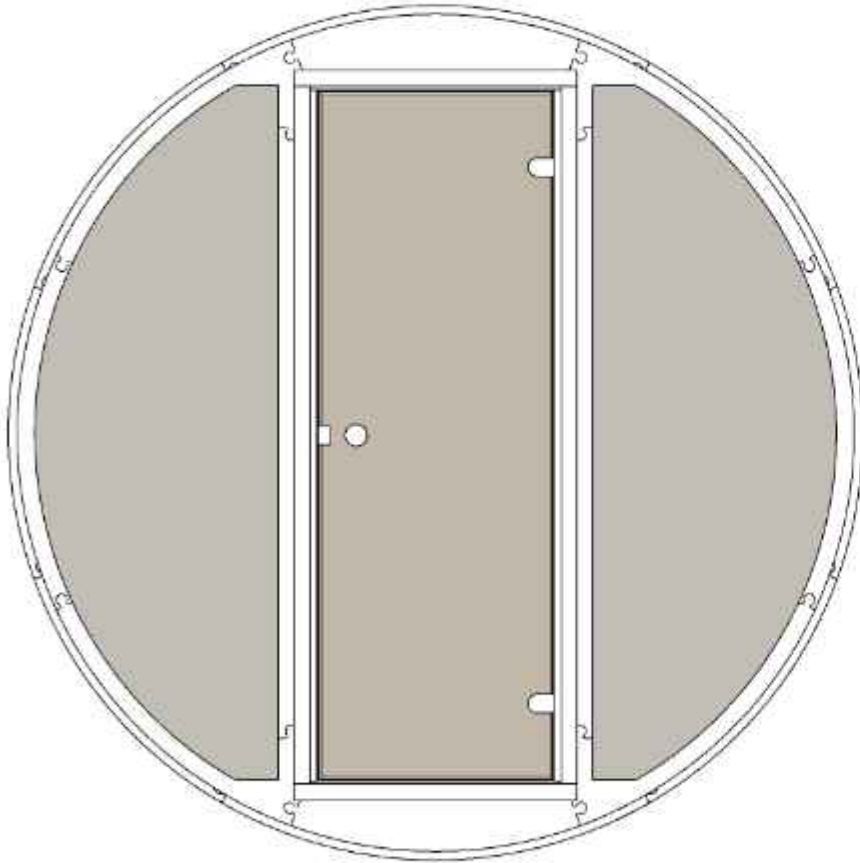
Ergo-Series EE6G Barrel Sauna
Full Glass Front 63D" x 90H"



Note: Please read manual before construction

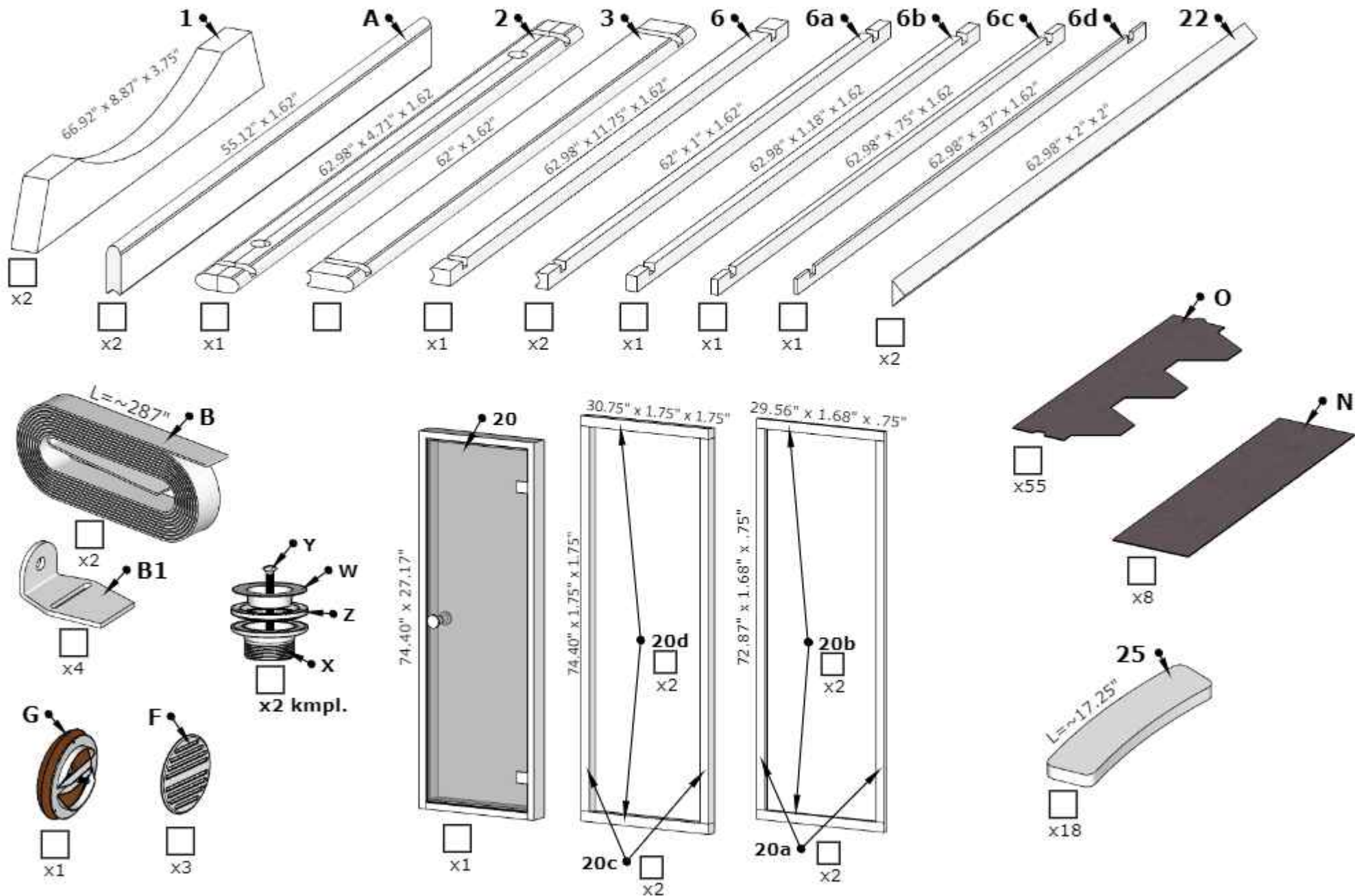
Rev: 1.0_9/2023

Front & Back Walls



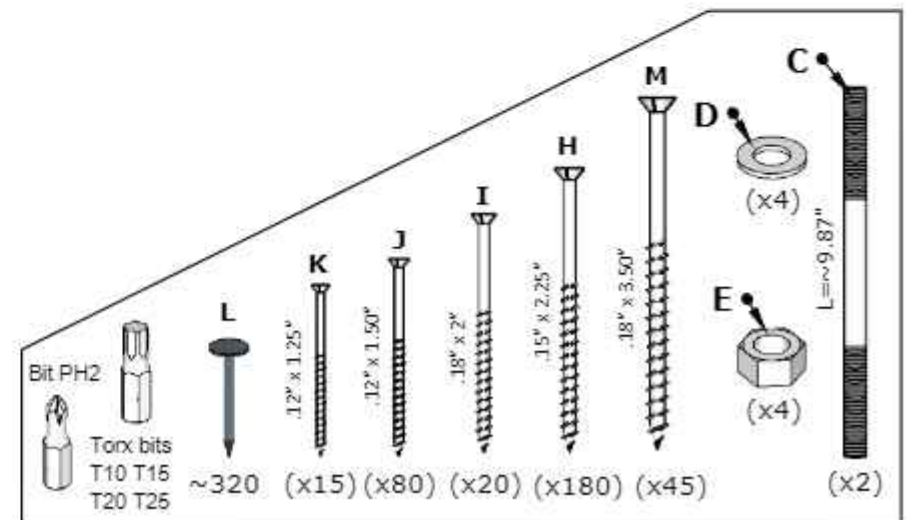
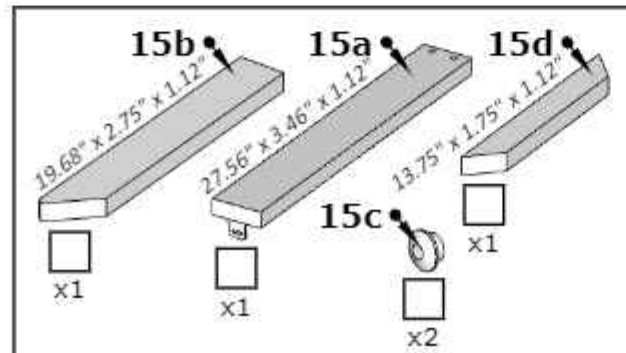
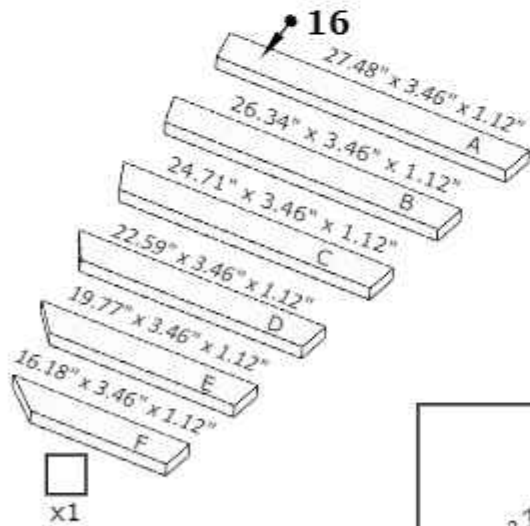
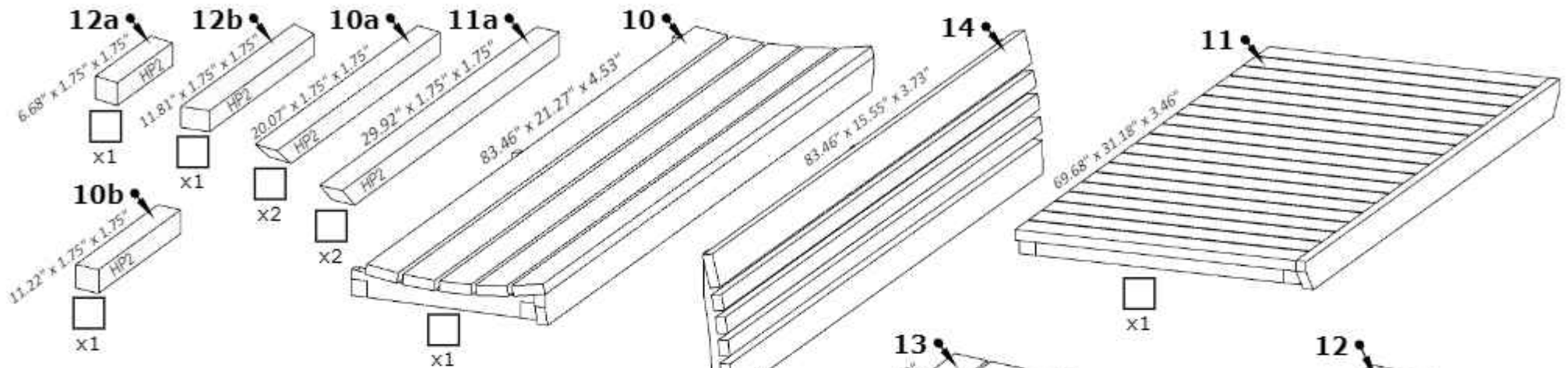
EE6G Barrel Sauna 63D" x 90H"

Details list 1.



EE6G Barrel Sauna 63D" x 90H"

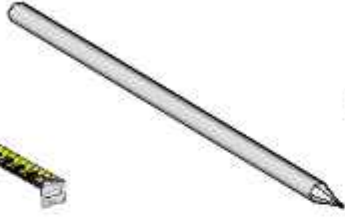
Details list 2.



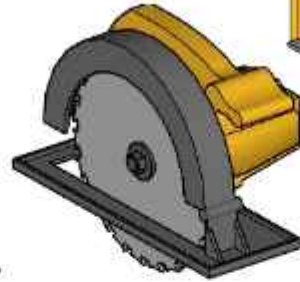
Tools needed



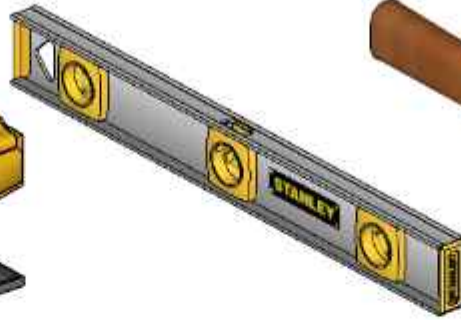
Measuring tape



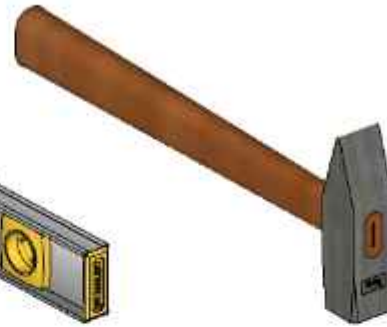
Marker pen



Circular saw



Water level



Hammer



Extra hands



Ratchet strap



Silicone gun
(Only glass-wall models)



Drill



Crescent wrench

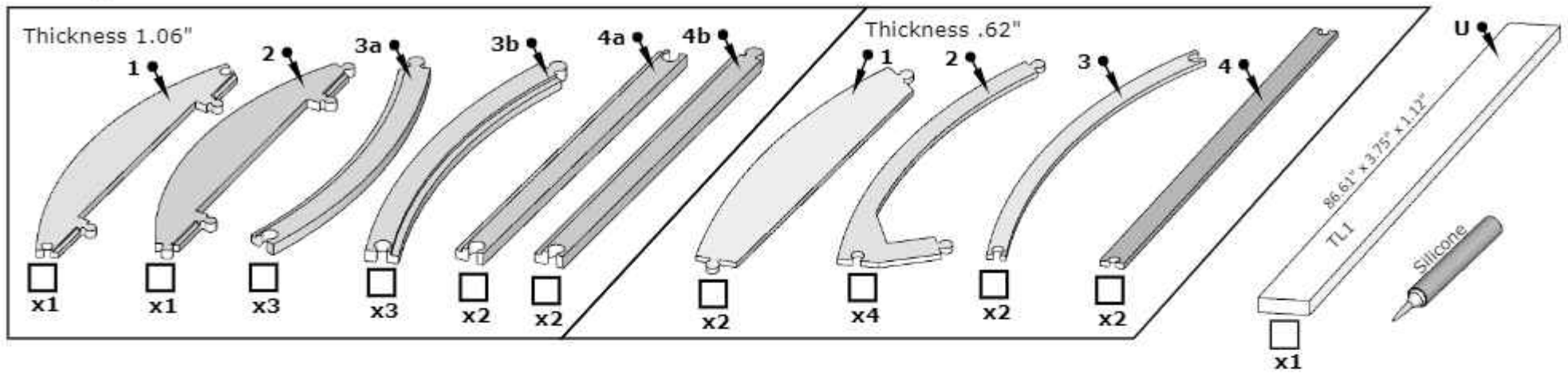


Utility knife

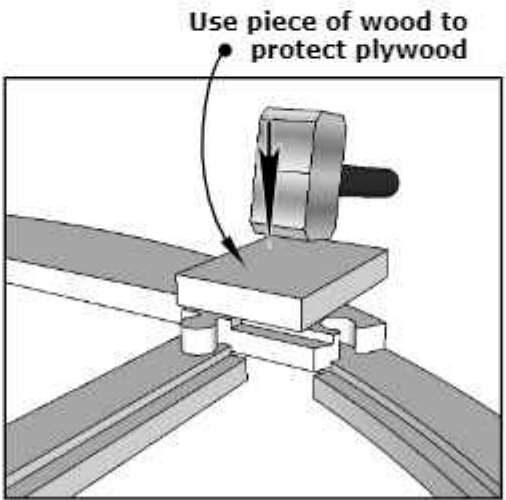
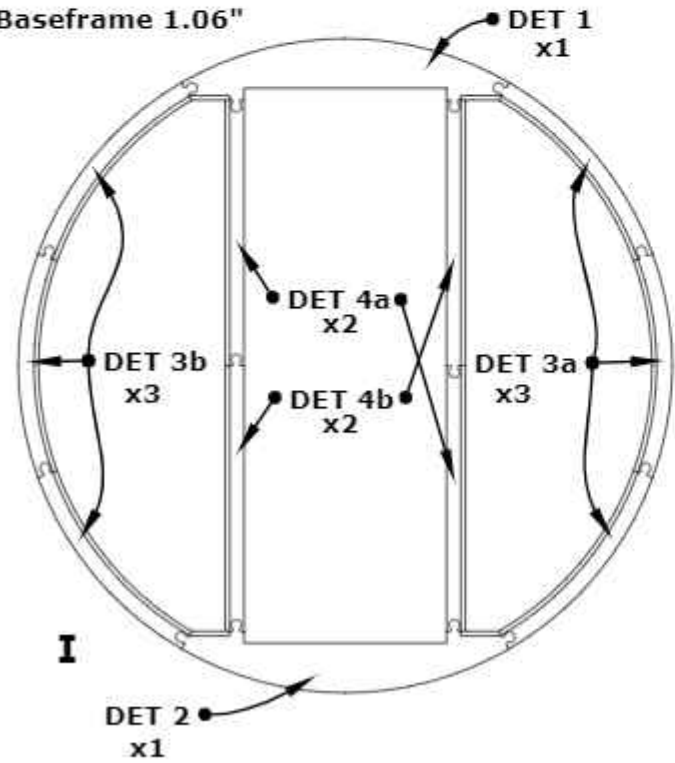


Rubber mallet

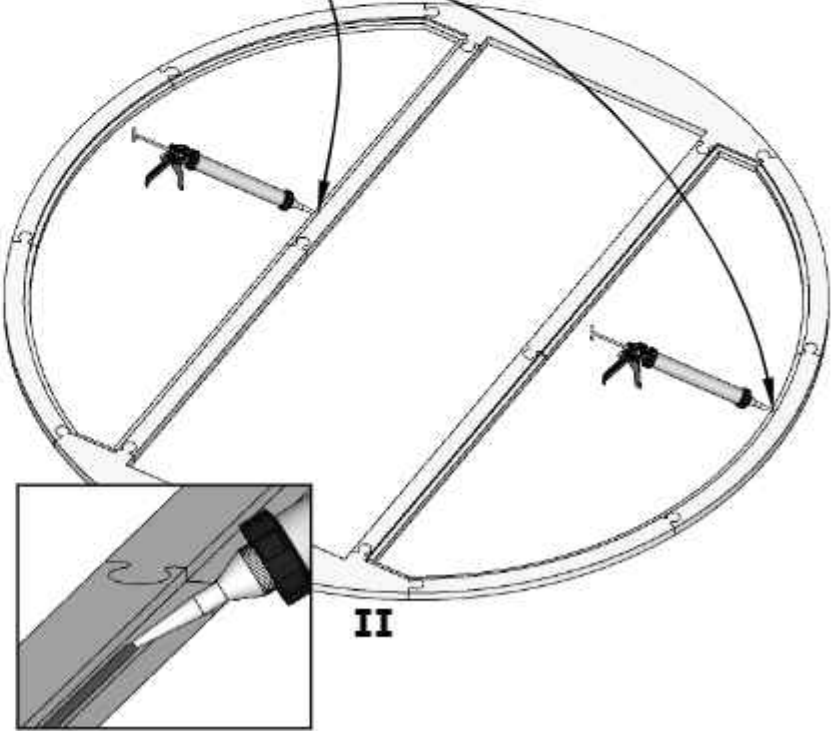
Front glass wall installation



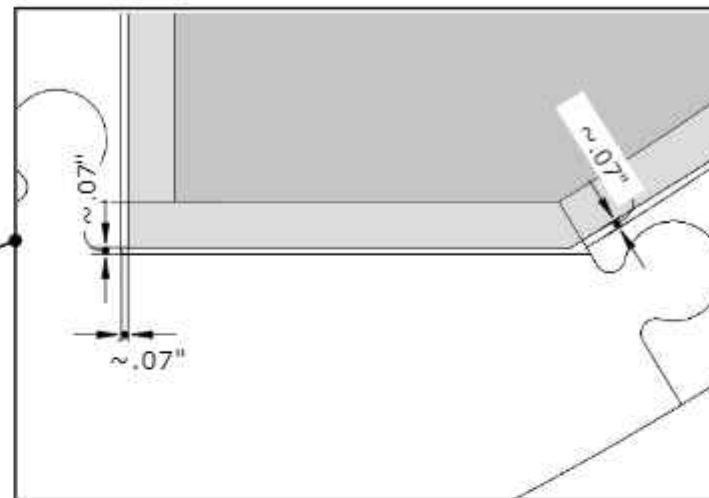
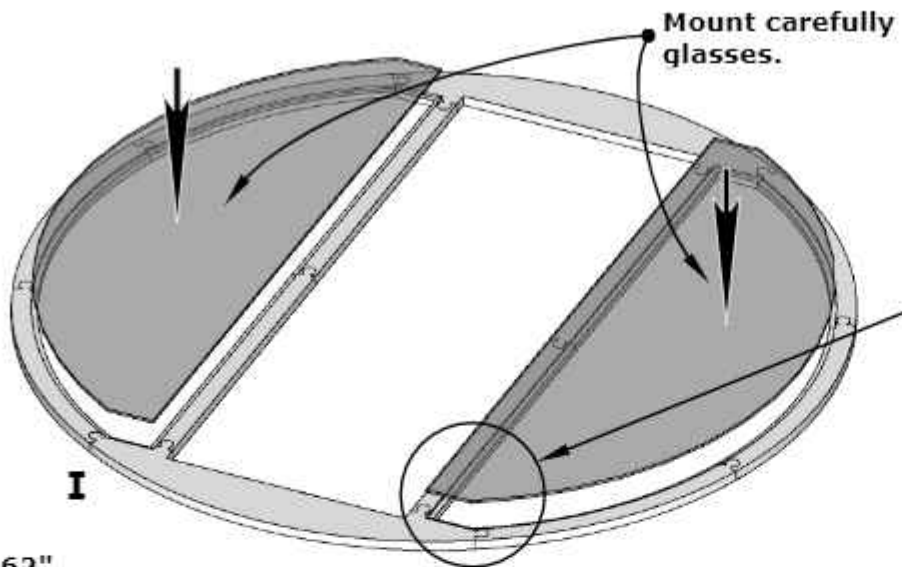
Baseframe 1.06"



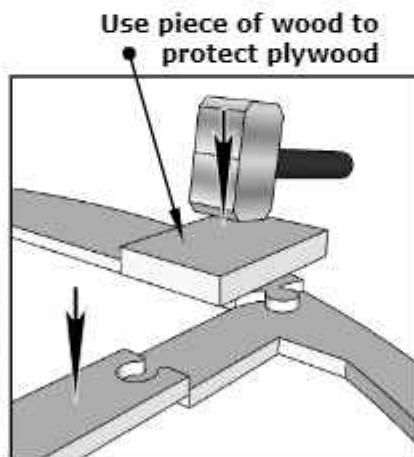
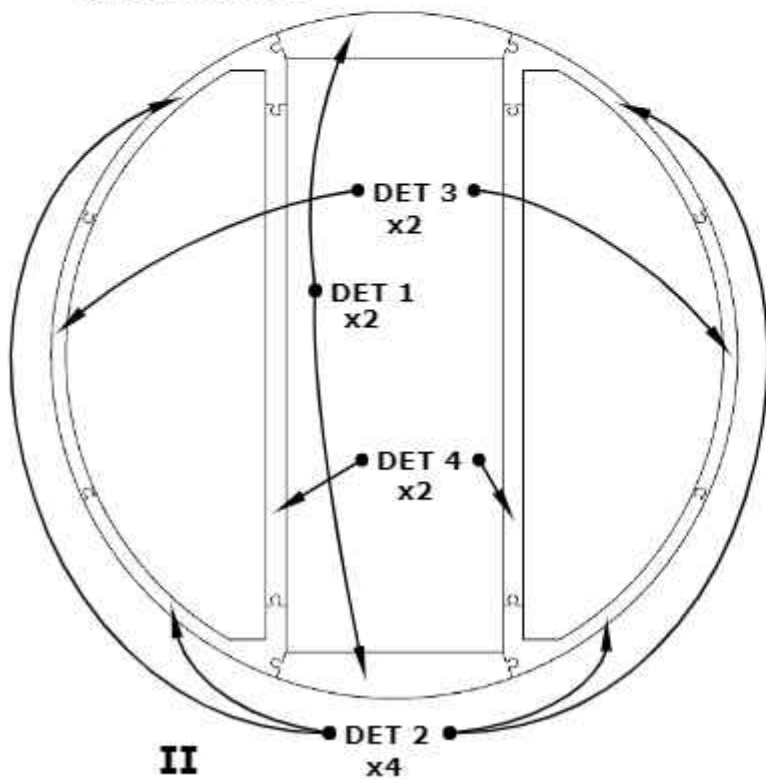
Apply waterproof silicone to the groove



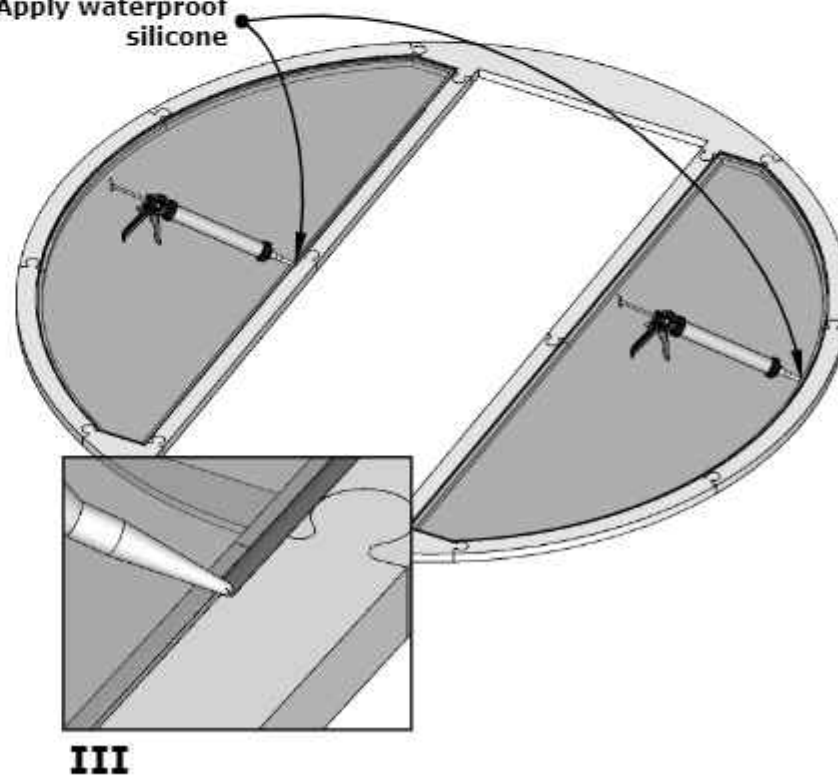
Front glass wall installation



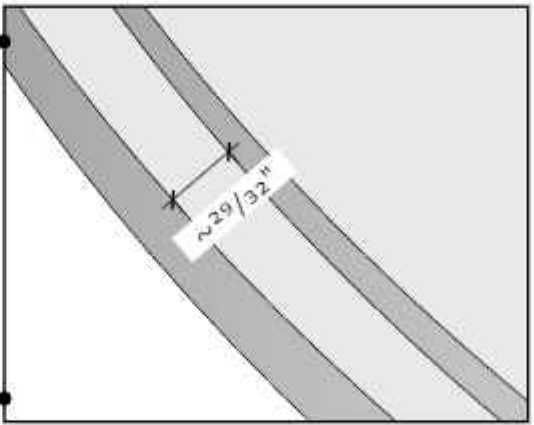
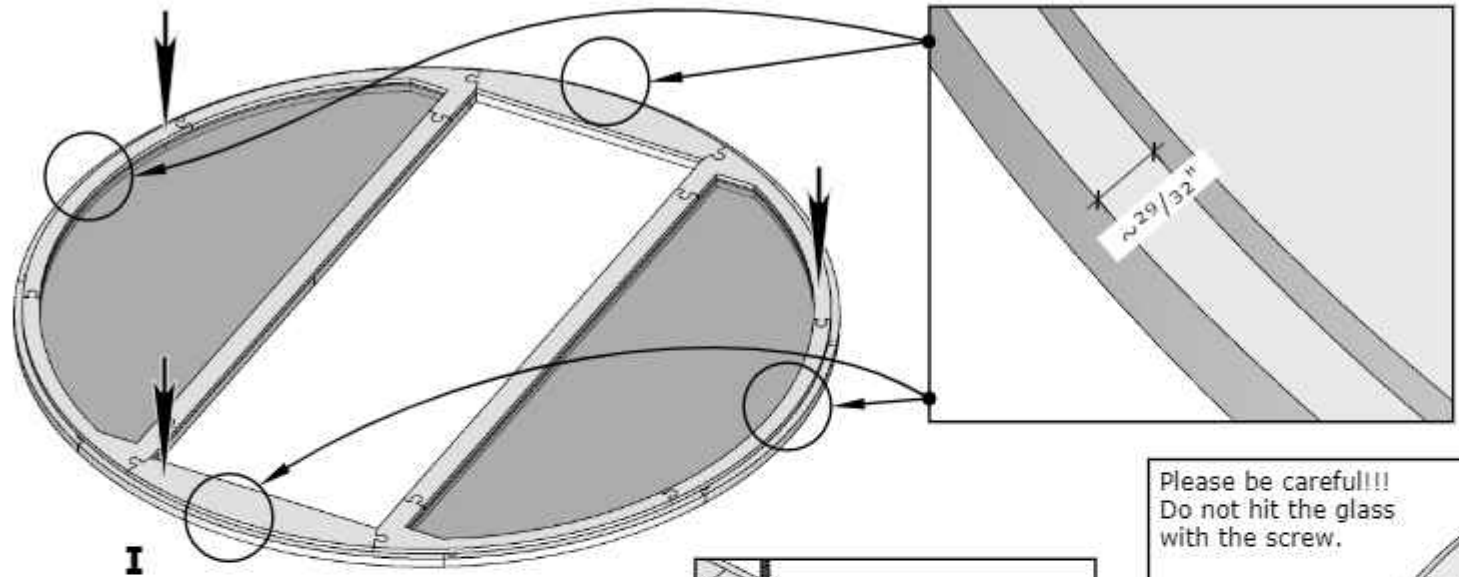
Coverframe .62"



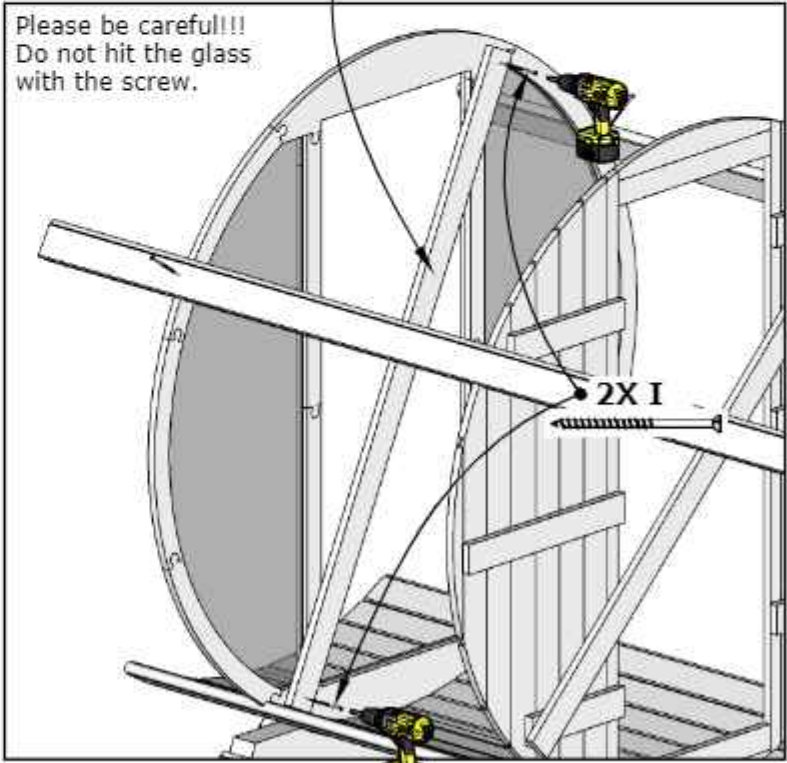
Apply waterproof silicone



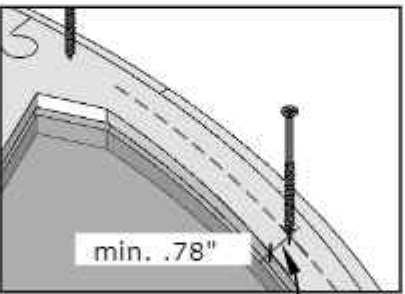
Front glass wall installation



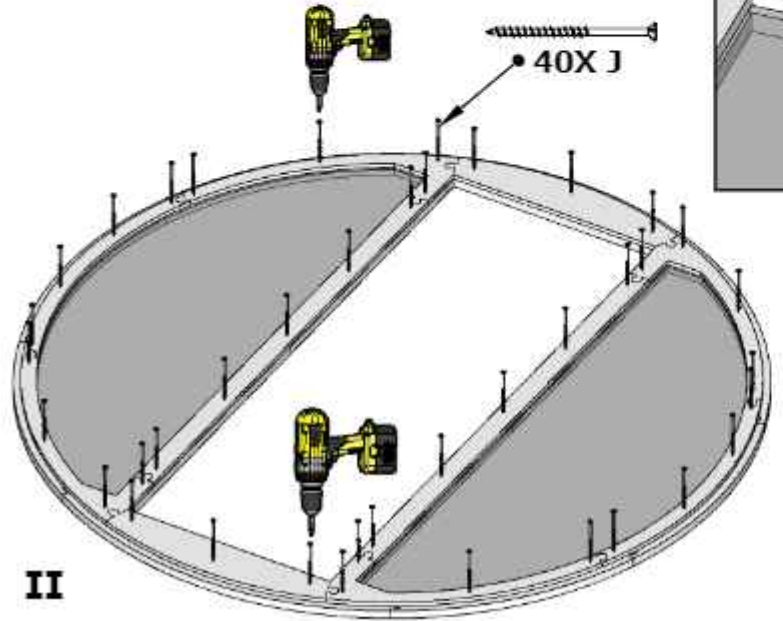
DET U
• Fix it diagonally to make wall more rigid during the installation.



Please be careful!!!
Do not hit the glass with the screw.



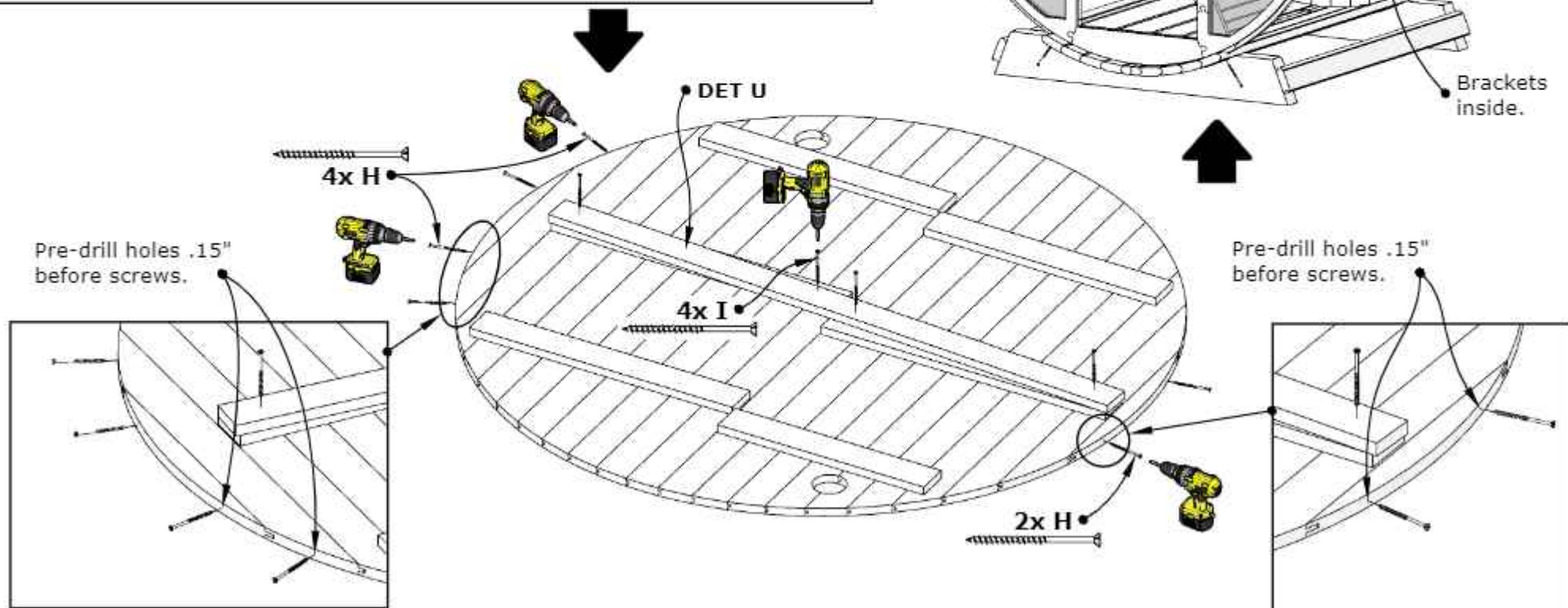
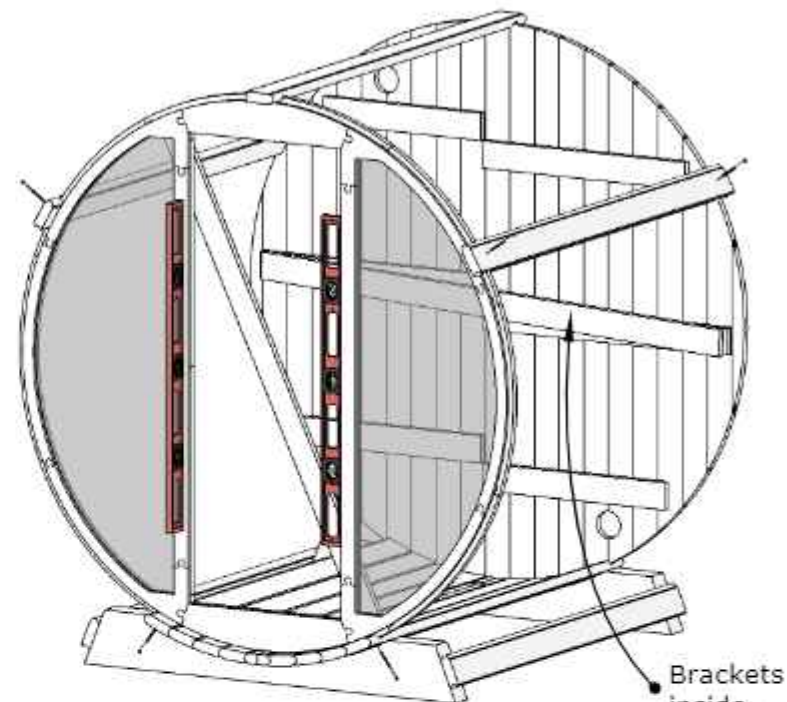
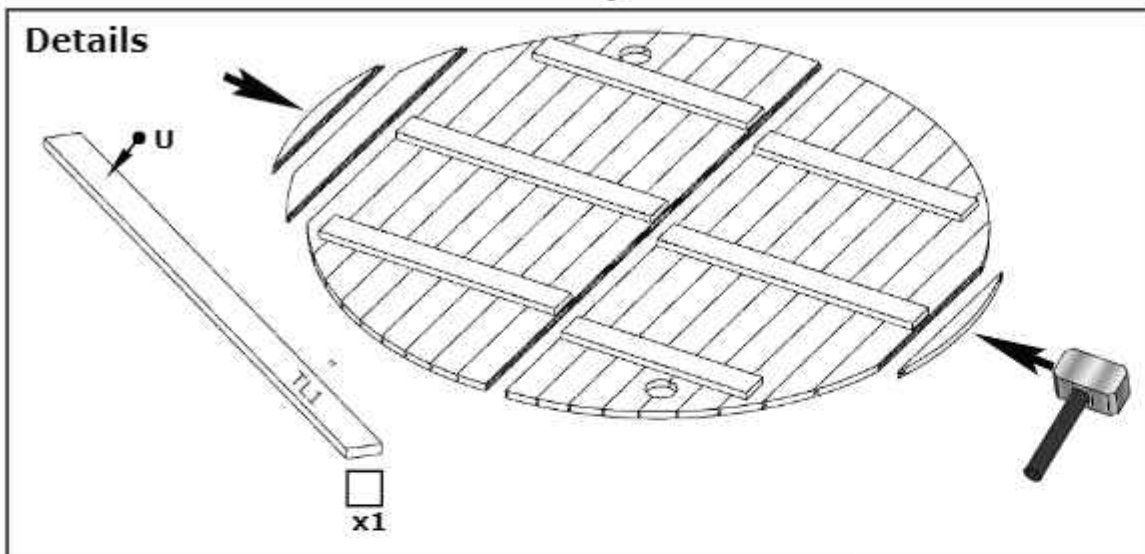
Please be careful!!!
Do not hit the glass with the screw.

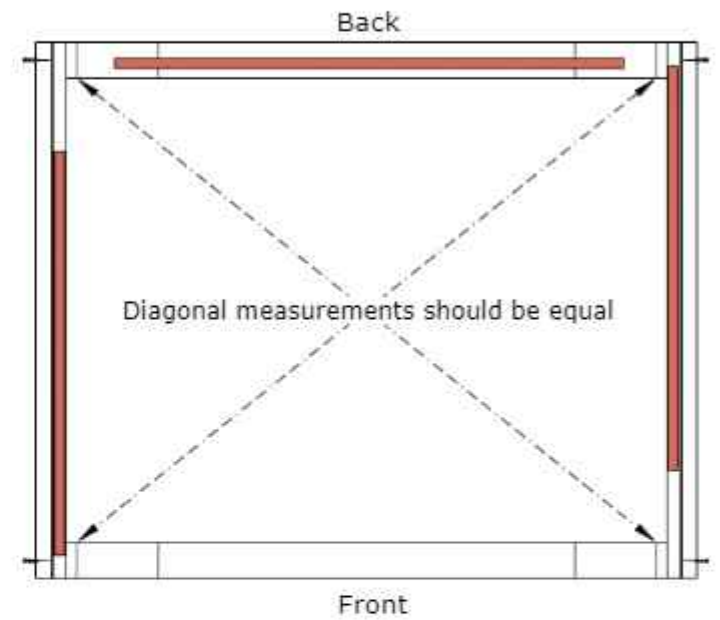
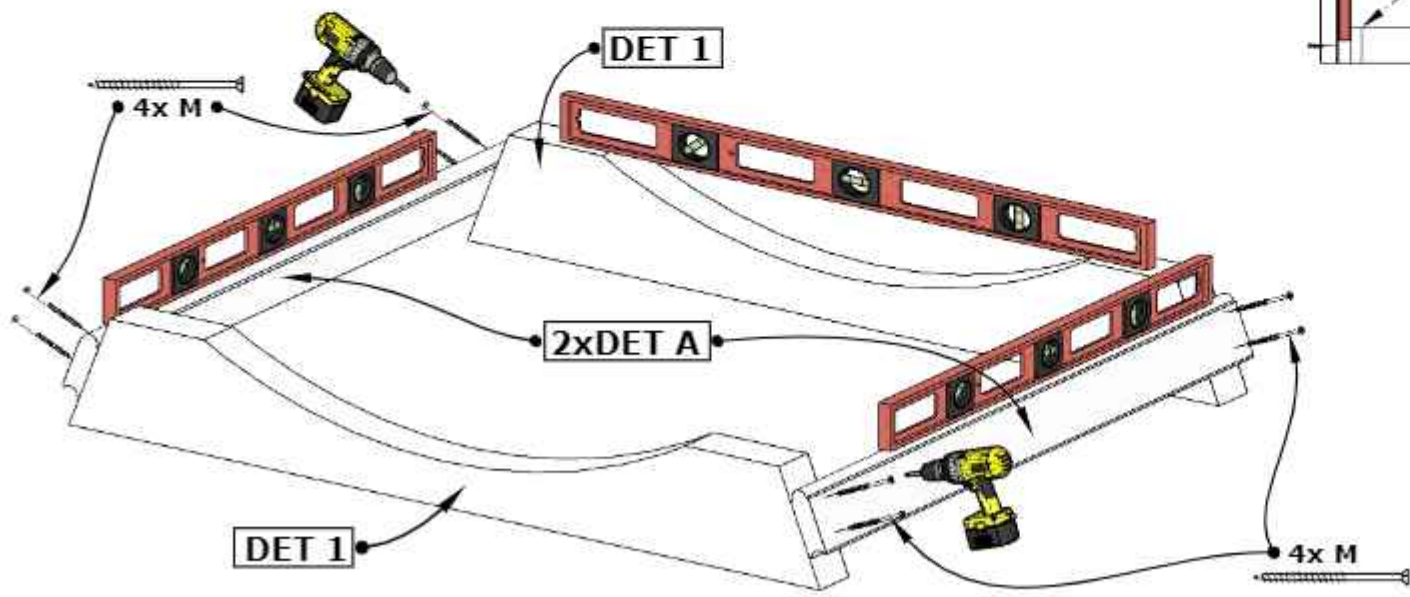


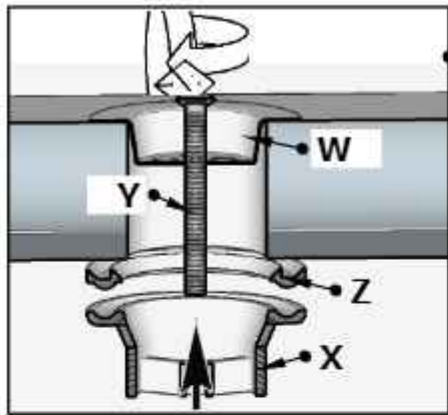
II

Wooden back wall assembly

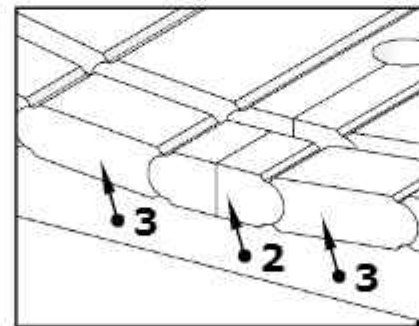
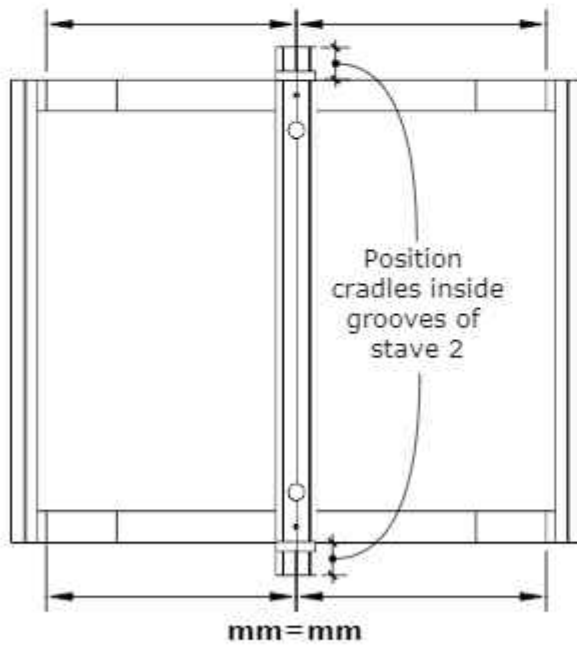
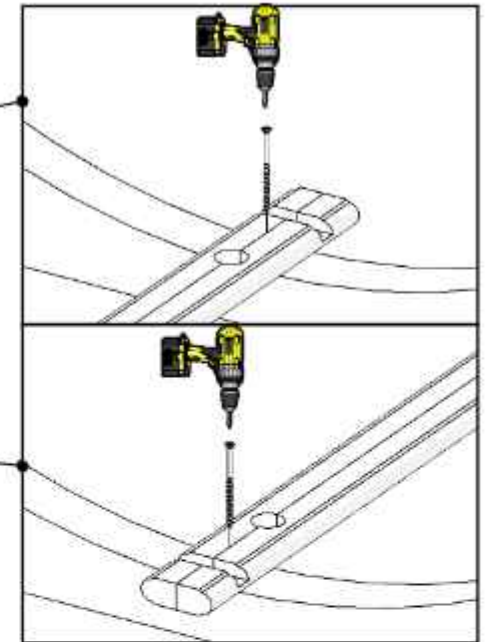
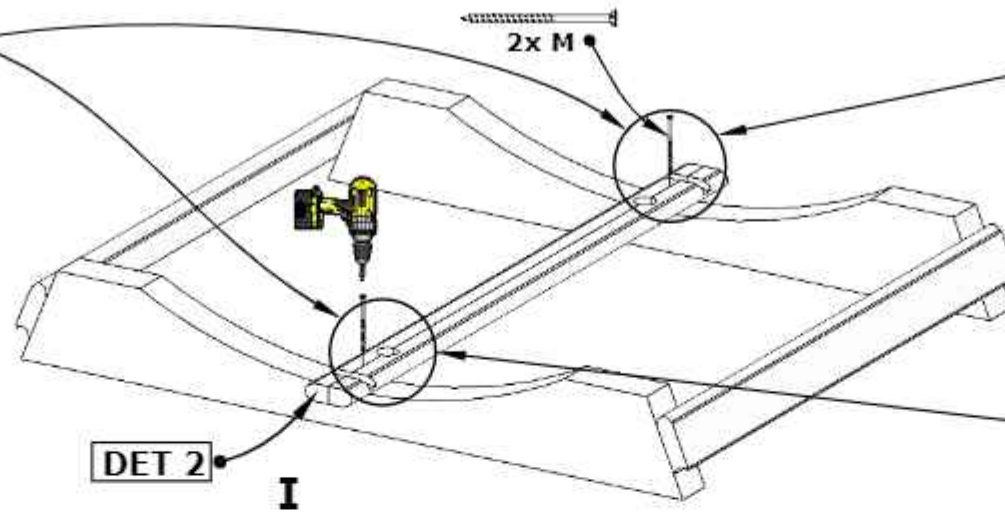
Details



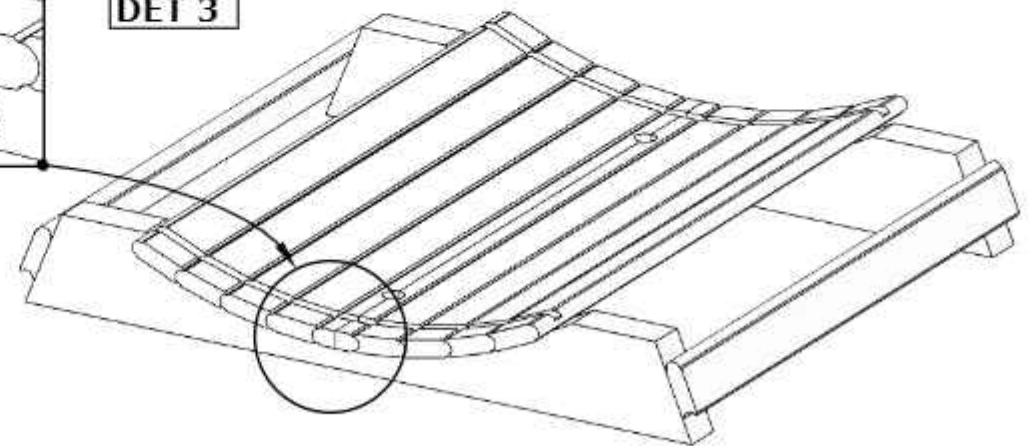




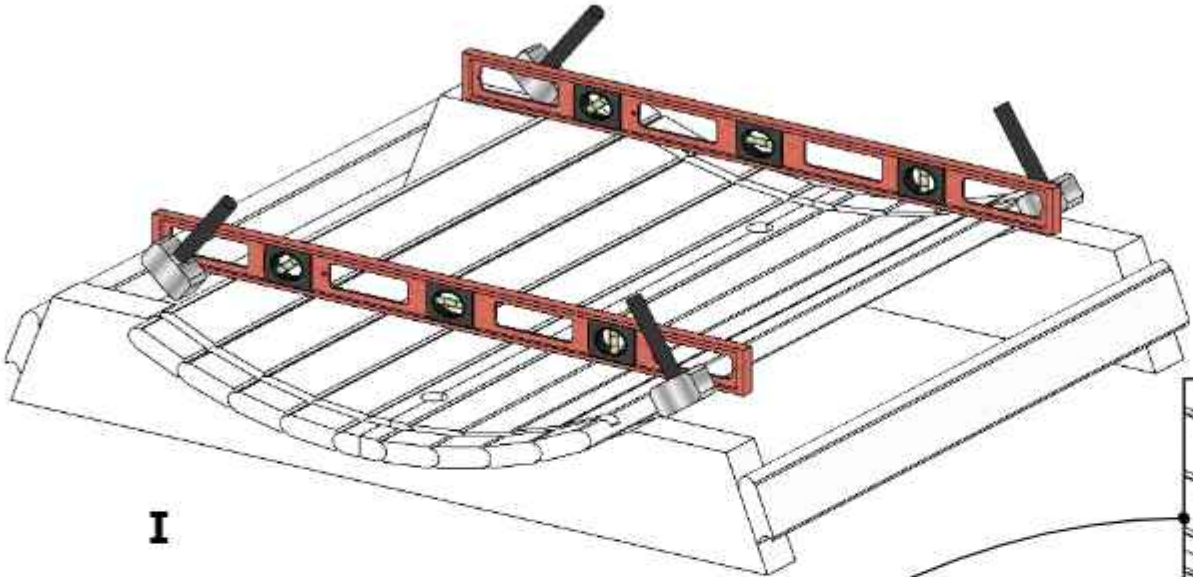
Center stave 2 on cradle 1



DET 3

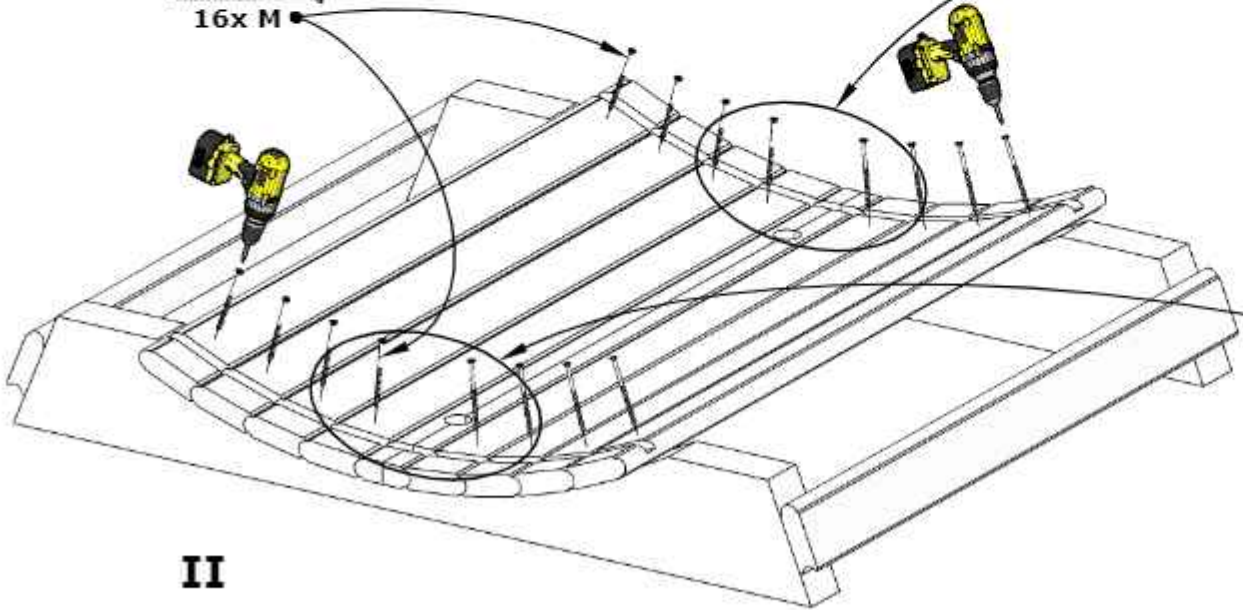


II

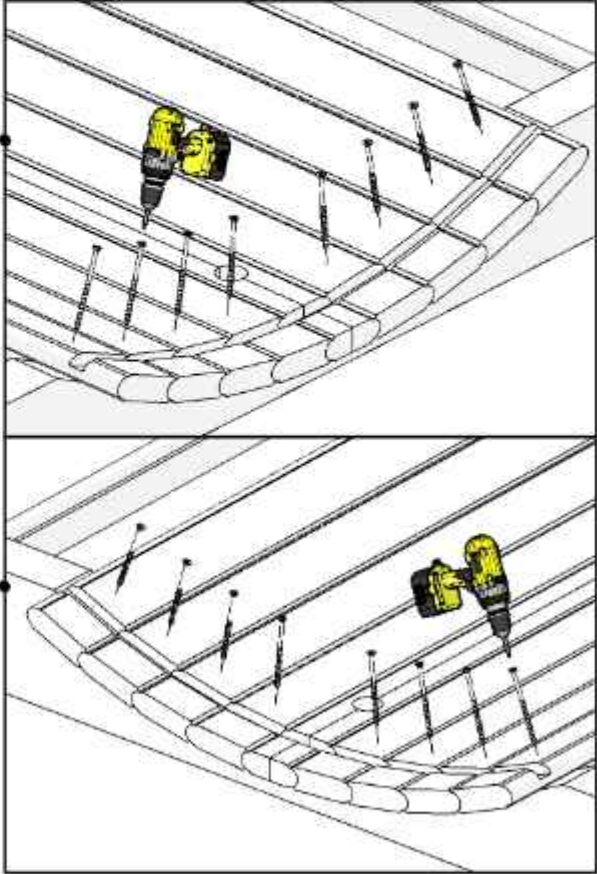


I

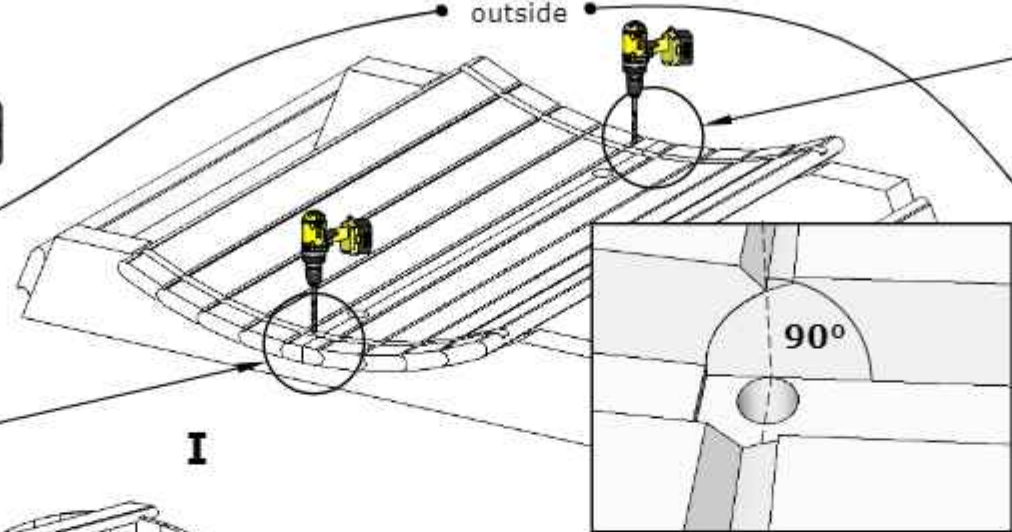
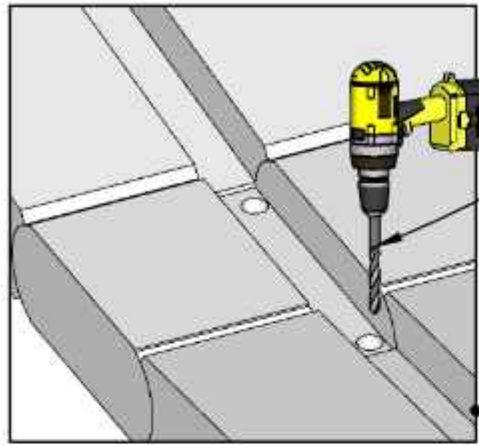
16x M



II

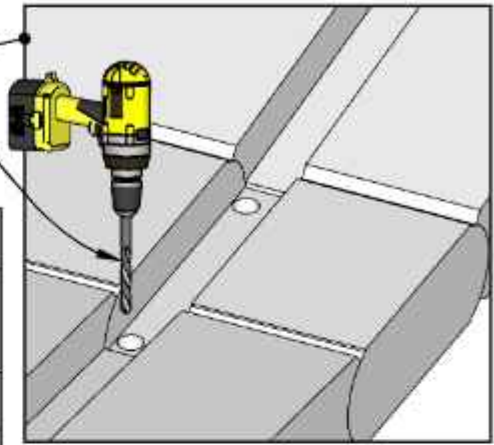


EE6G Barrel Sauna 63D" x 90H"



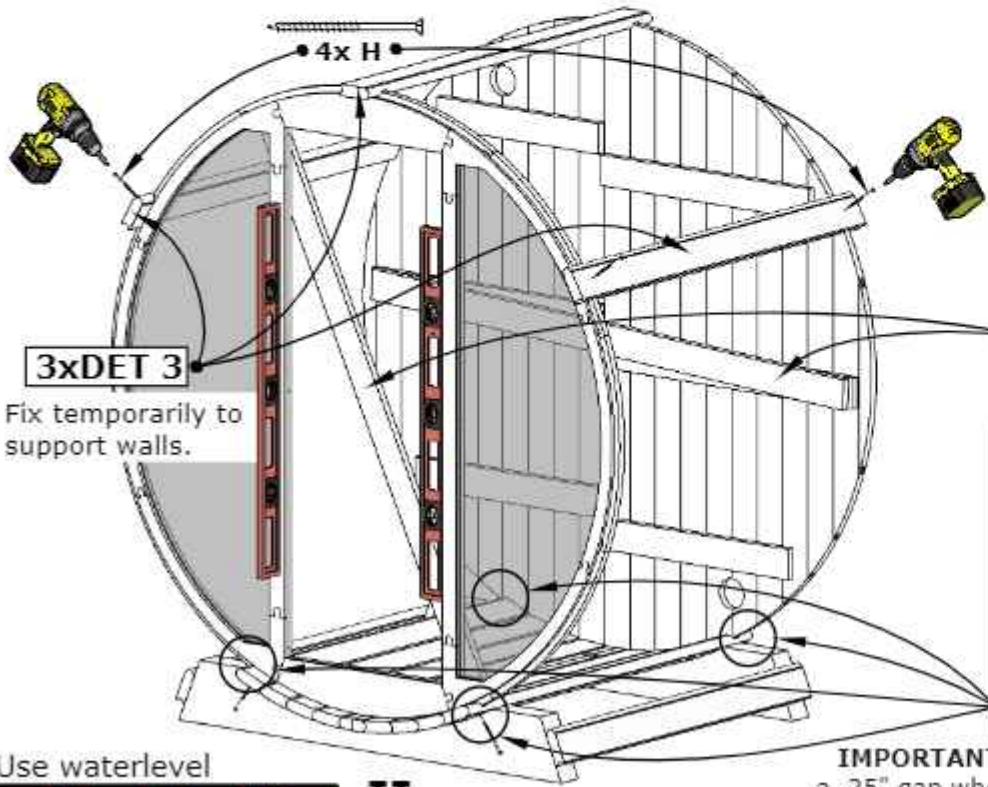
Drill 4 holes .50" through DET 2 outside

90°



I

Check walls installation manual on extra pages!
Sauna wall configuration depends on Your model!



4x H

3xDET 3

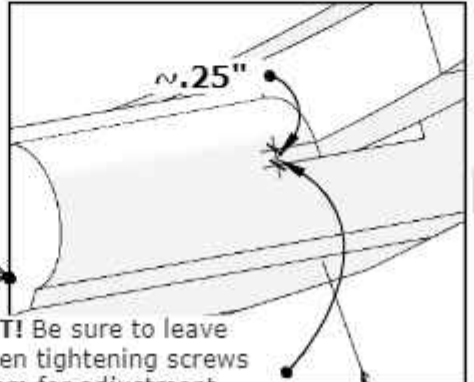
Fix temporarily to support walls.

Brackets inside

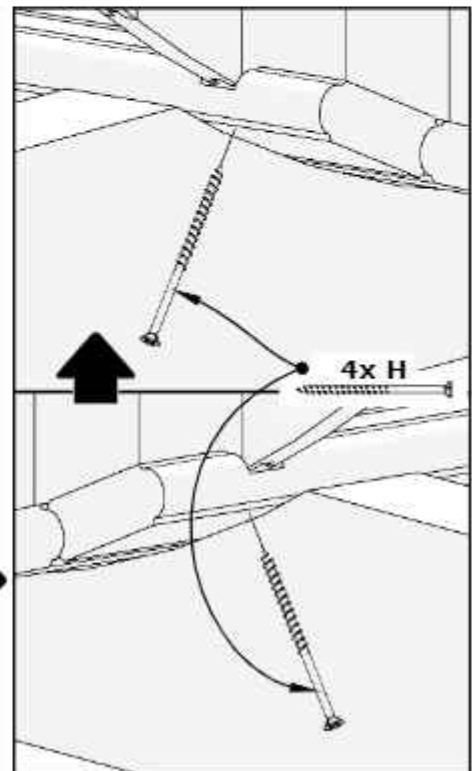


Use waterlevel

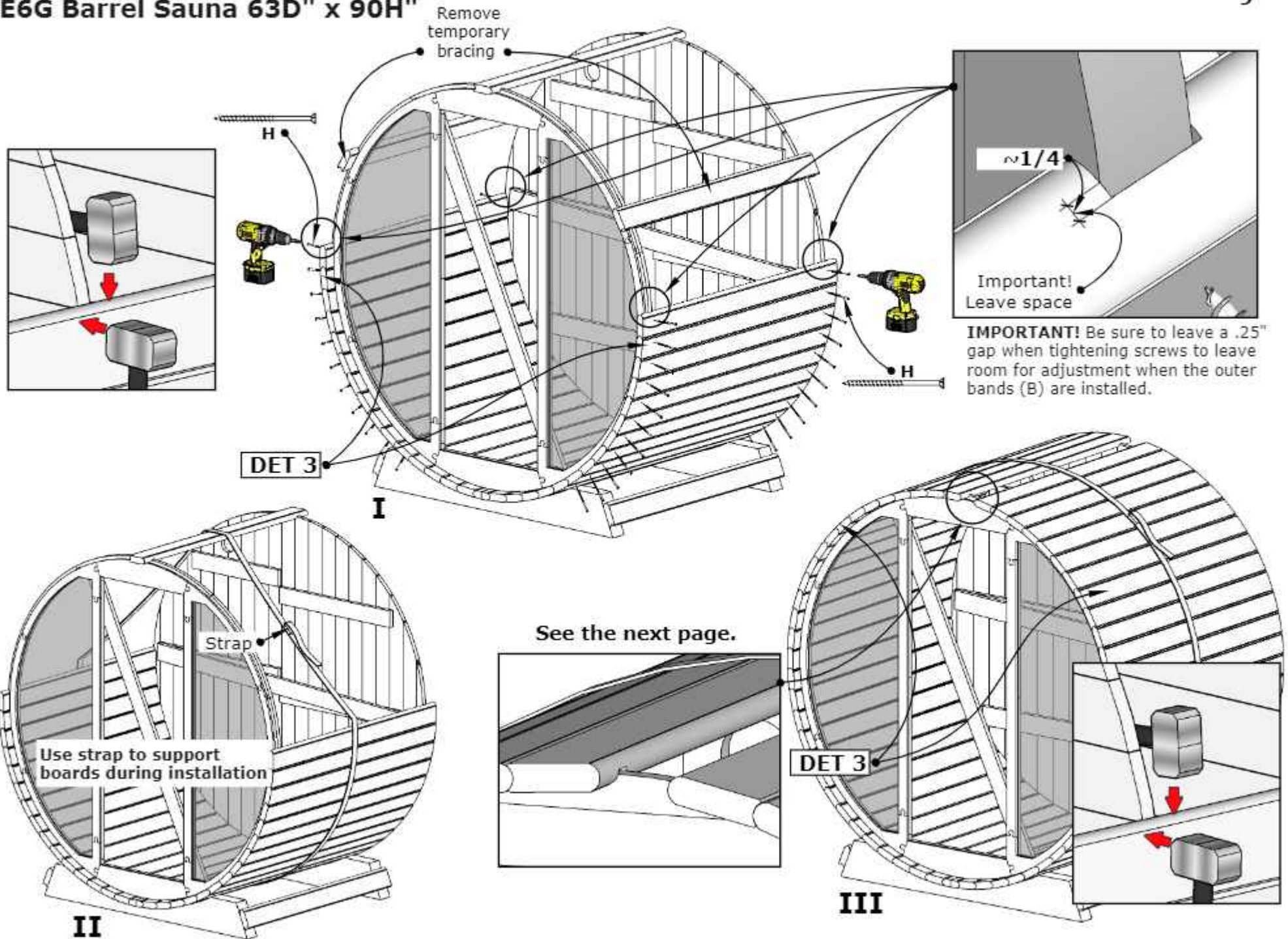
II

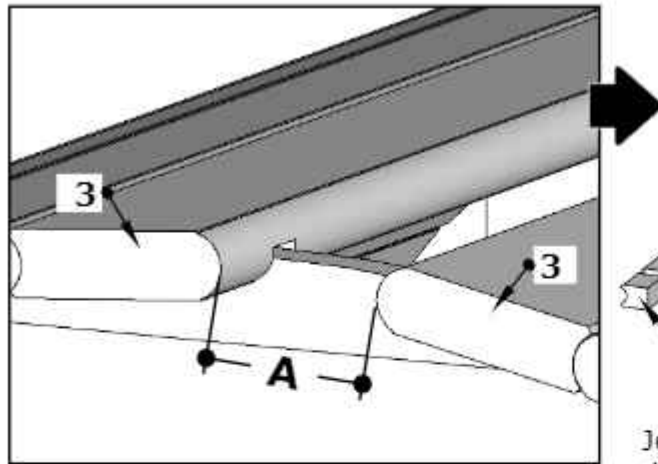


IMPORTANT! Be sure to leave a .25" gap when tightening screws to leave room for adjustment when the outer bands (B) are installed.

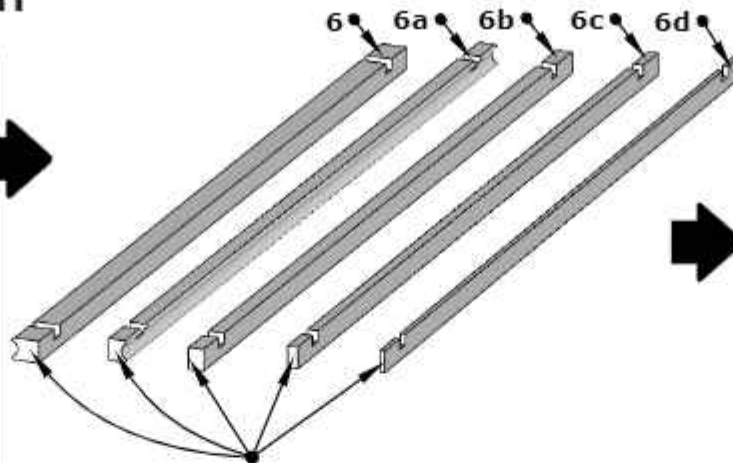


4x H

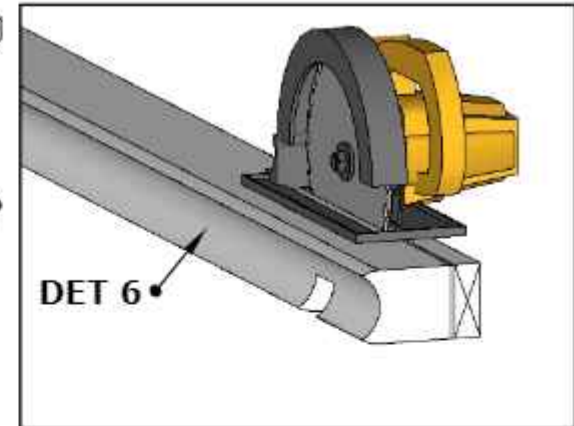




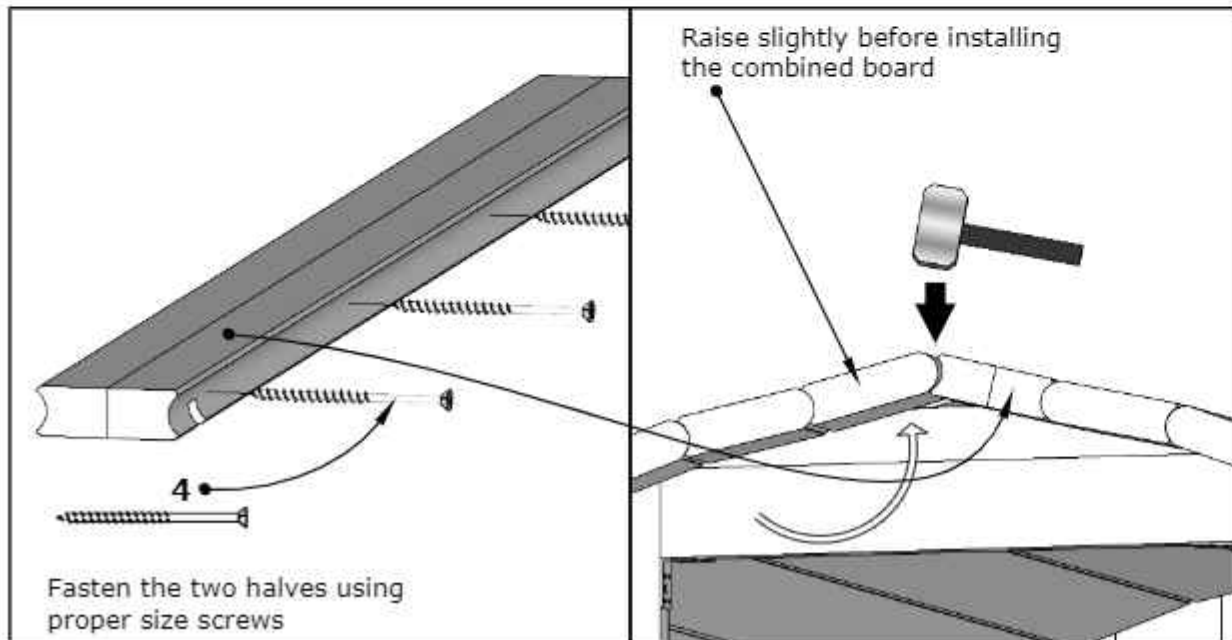
I



Join two boards together (as shown in diagram II) that will bridge the width of the "A" gap. It is recommended that the combined boards are approximately .25" wider than the gap.



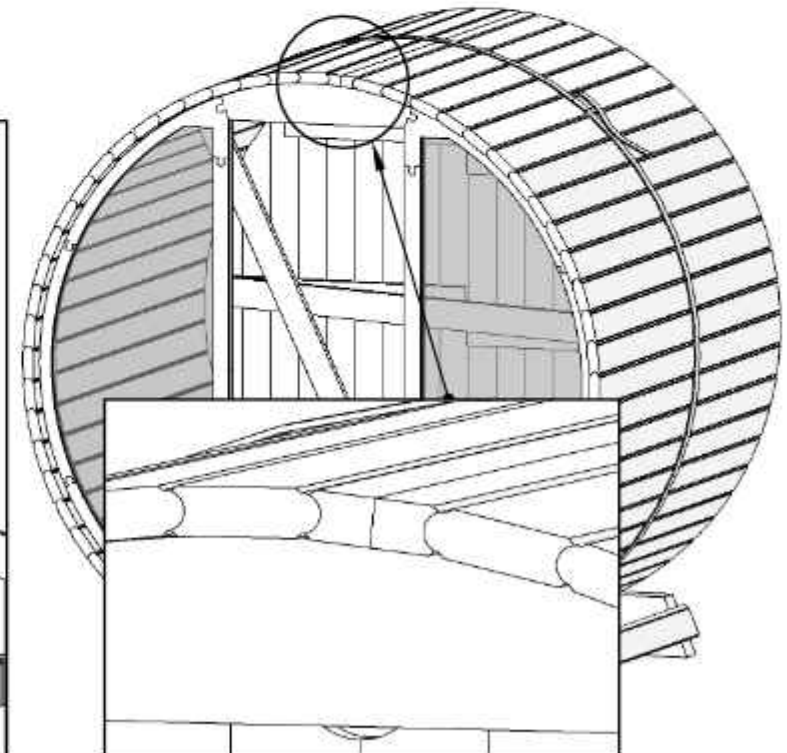
If needed, trim the flat edge of the board to create the desired width.



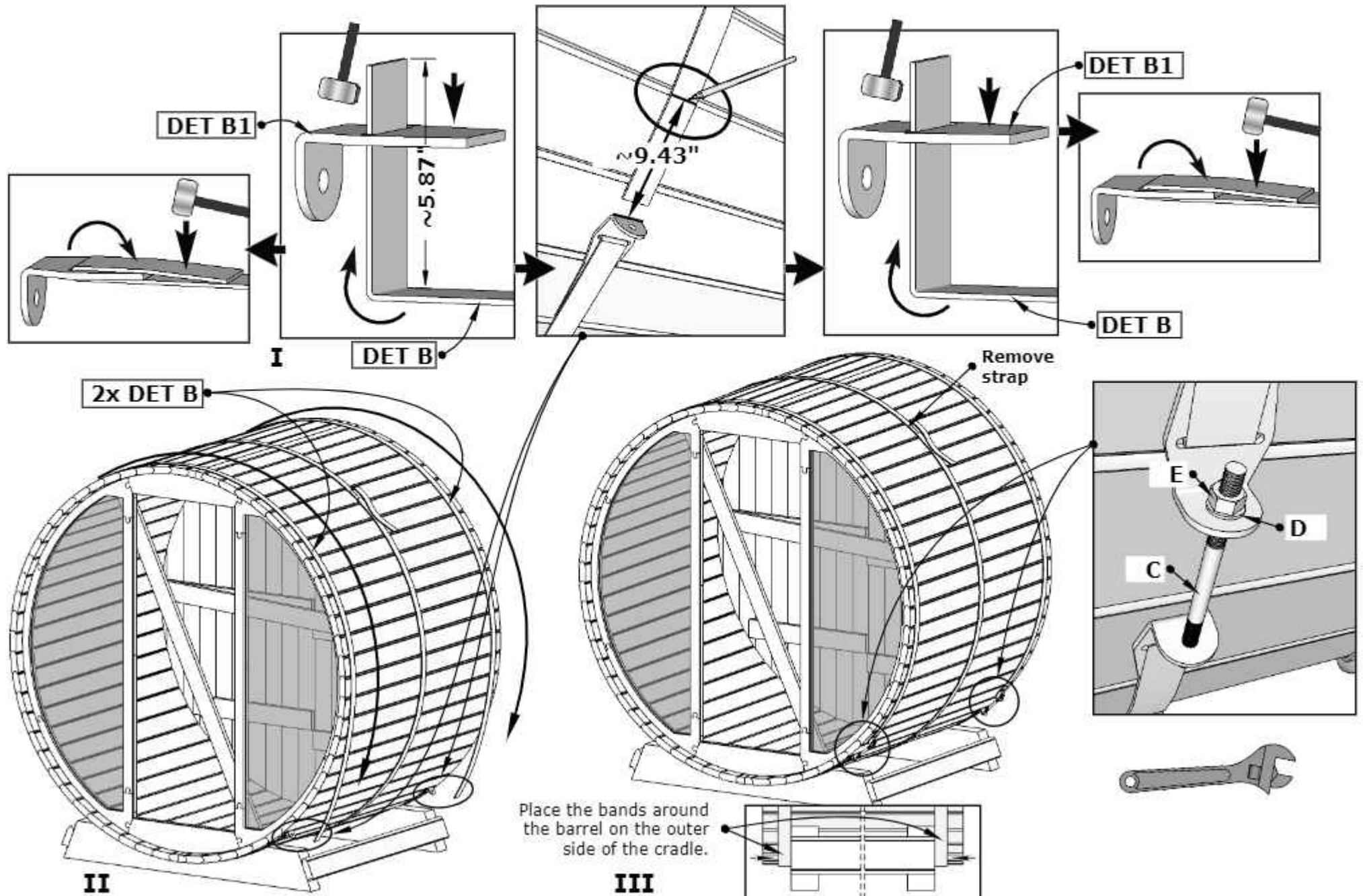
Fasten the two halves using proper size screws

Raise slightly before installing the combined board

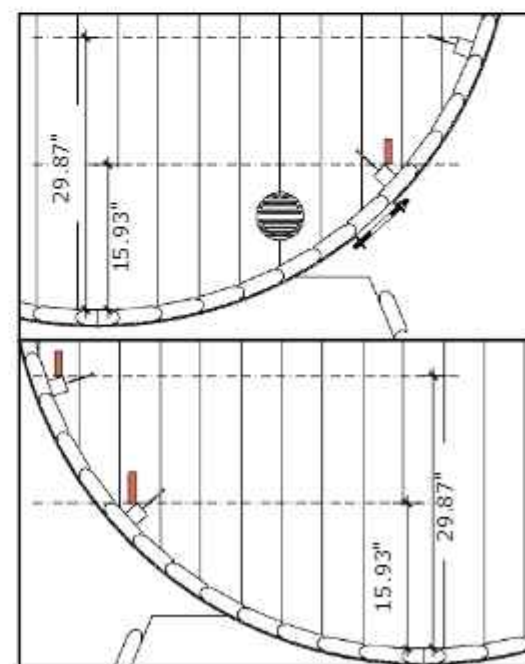
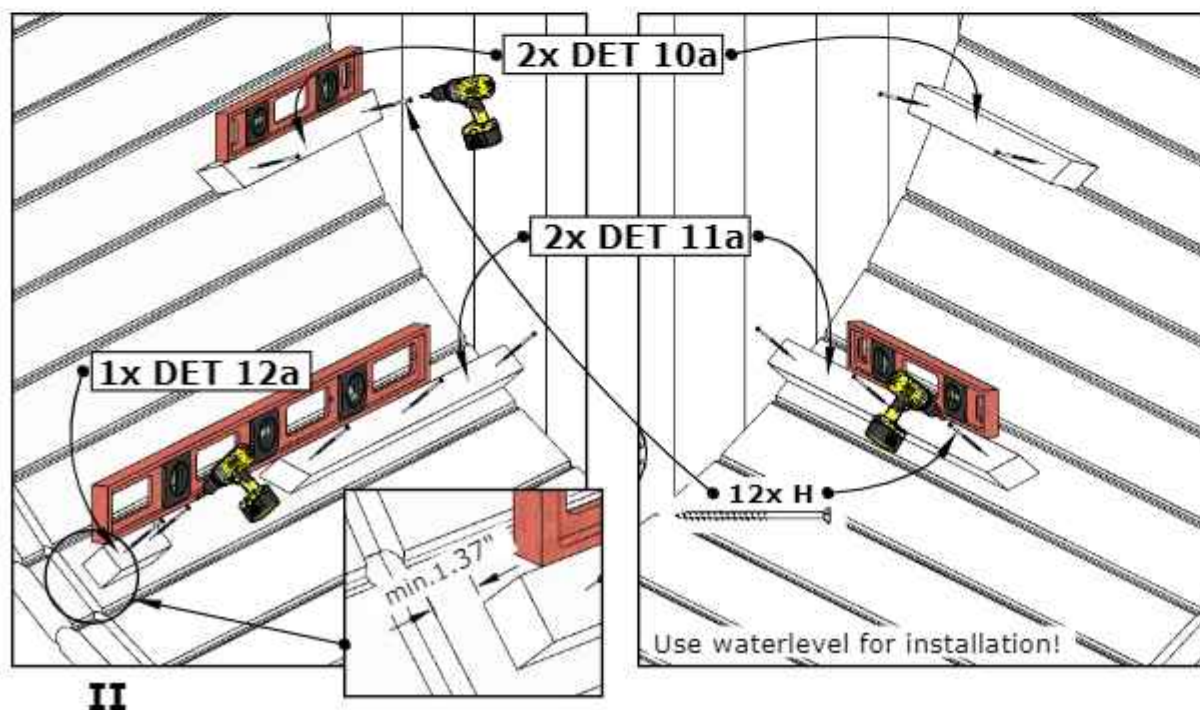
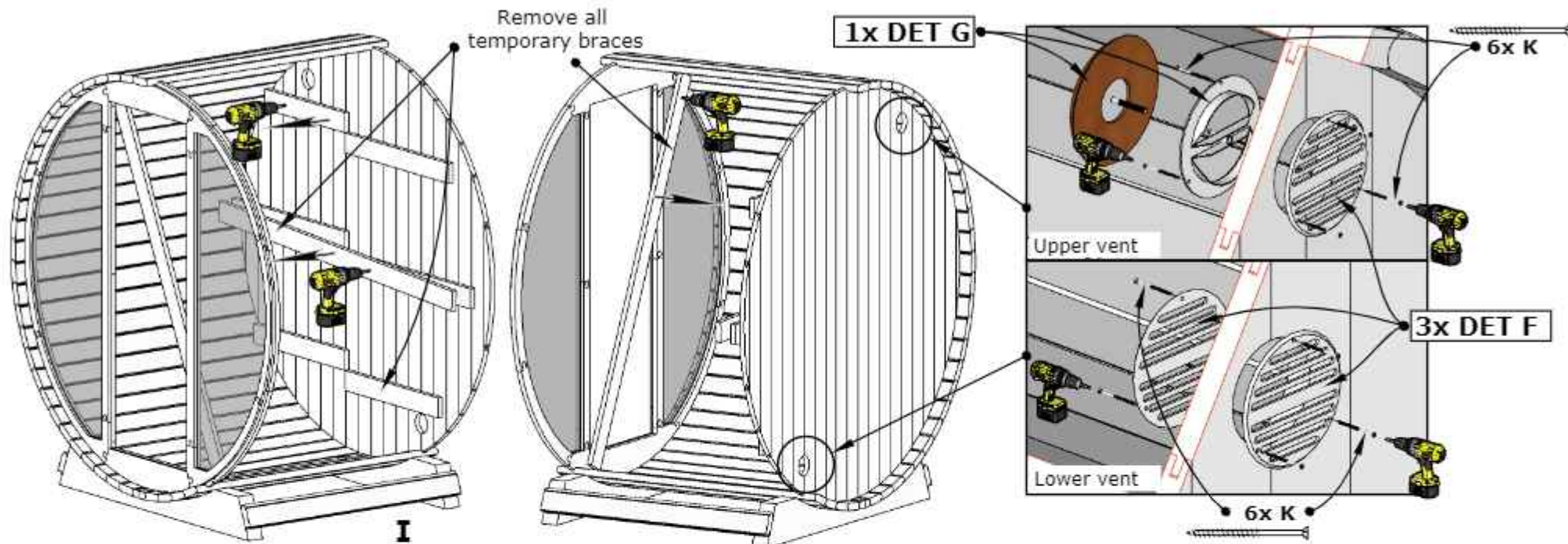
II

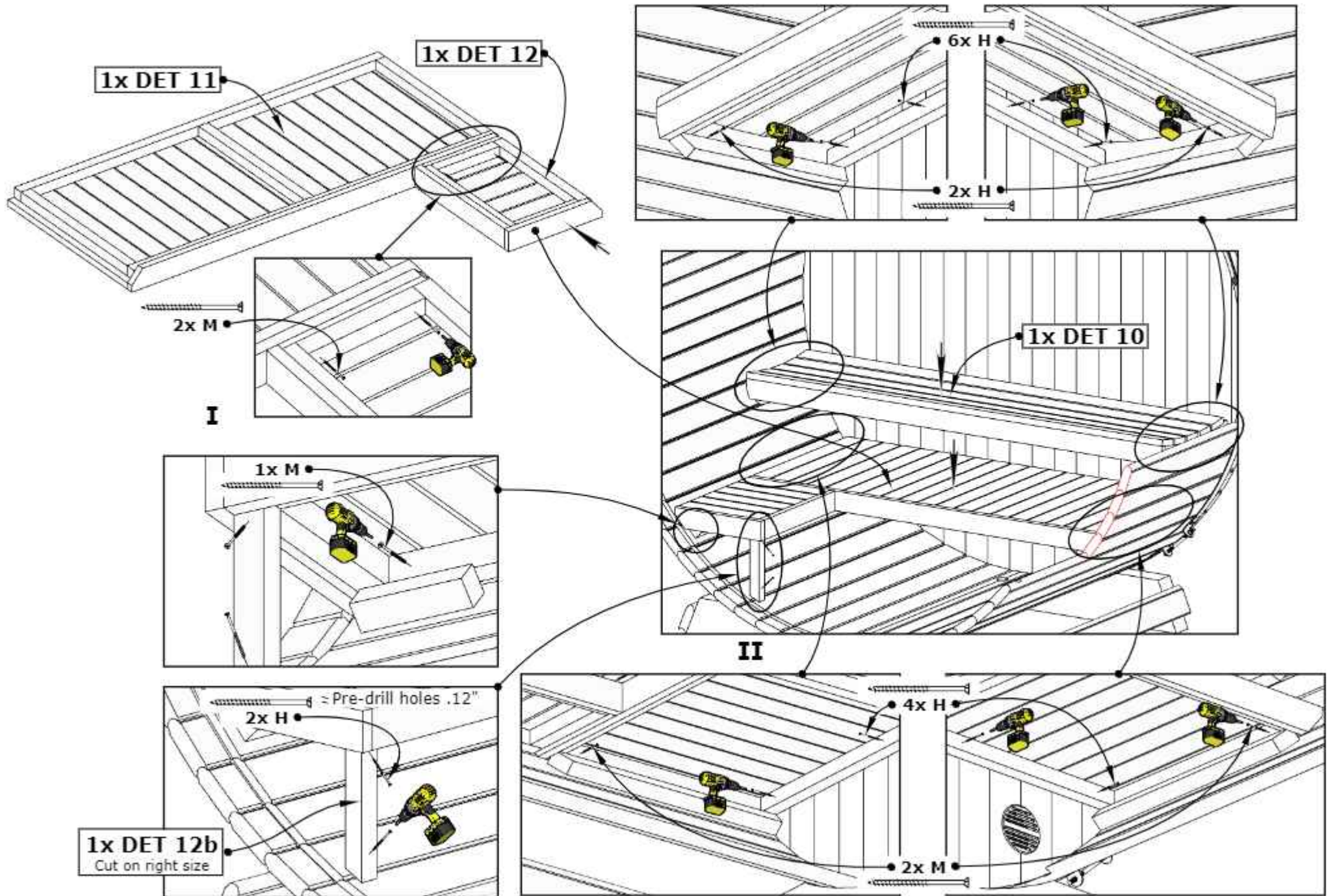


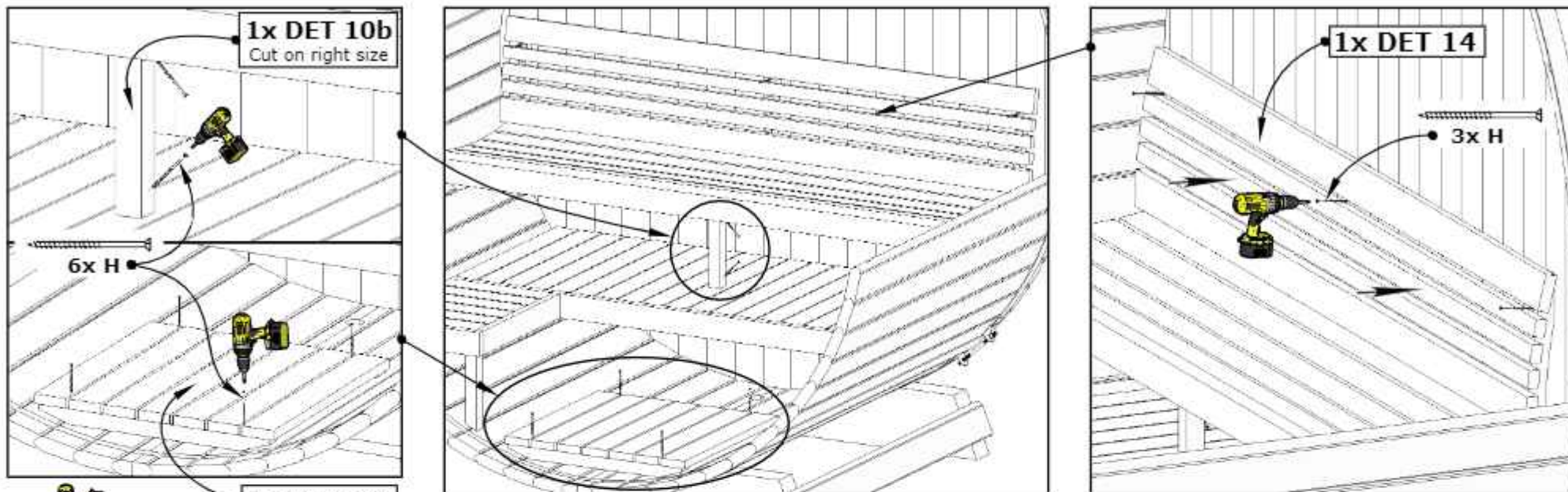
III



EE6G Barrel Sauna 63D" x 90H"

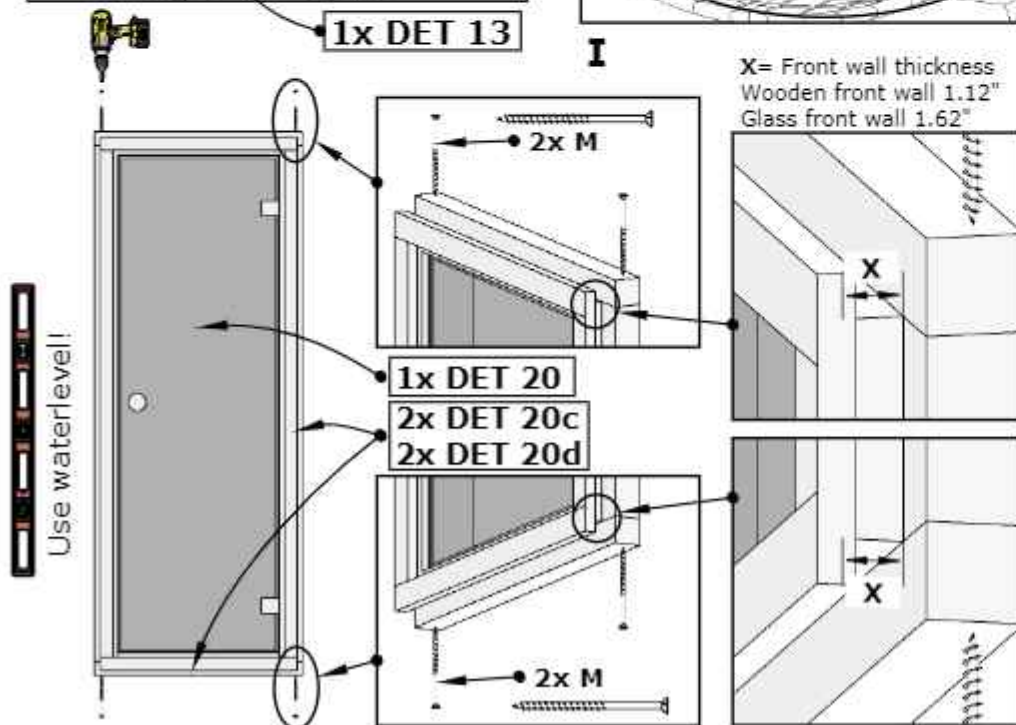




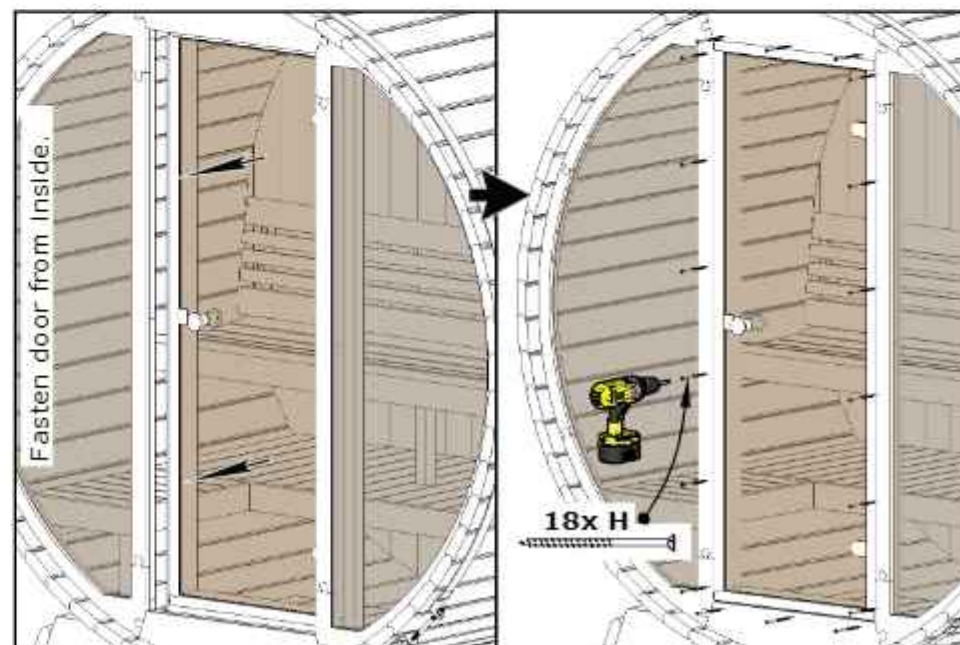


I

X= Front wall thickness
Wooden front wall 1.12"
Glass front wall 1.62"



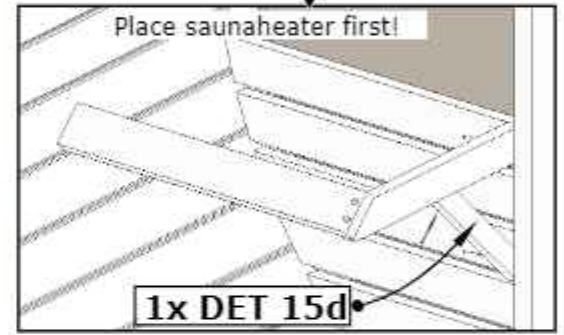
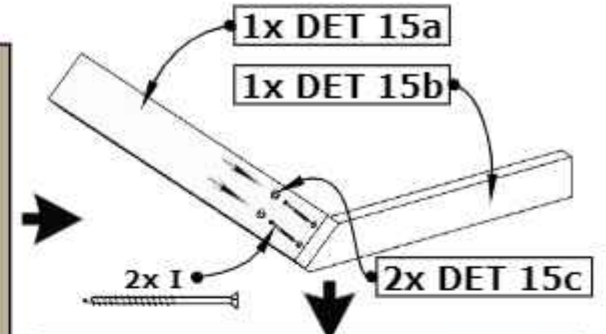
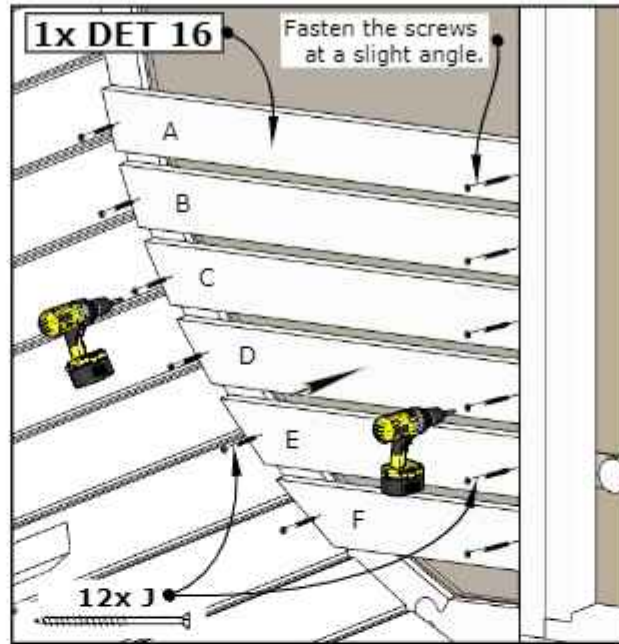
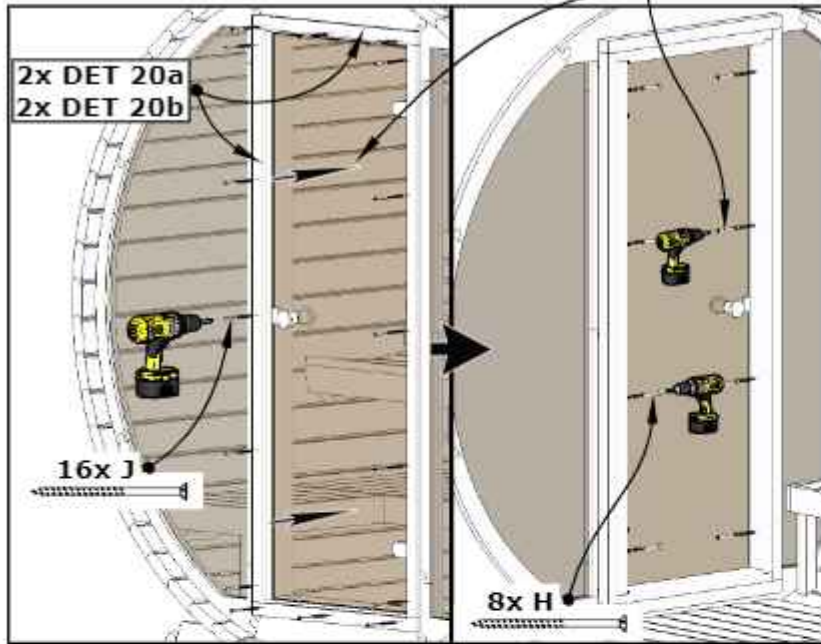
II



EE6G Barrel Sauna 63D" x 90H"

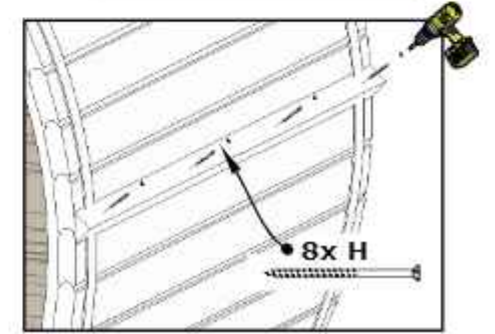
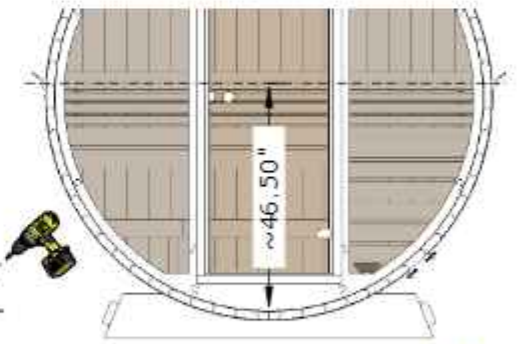
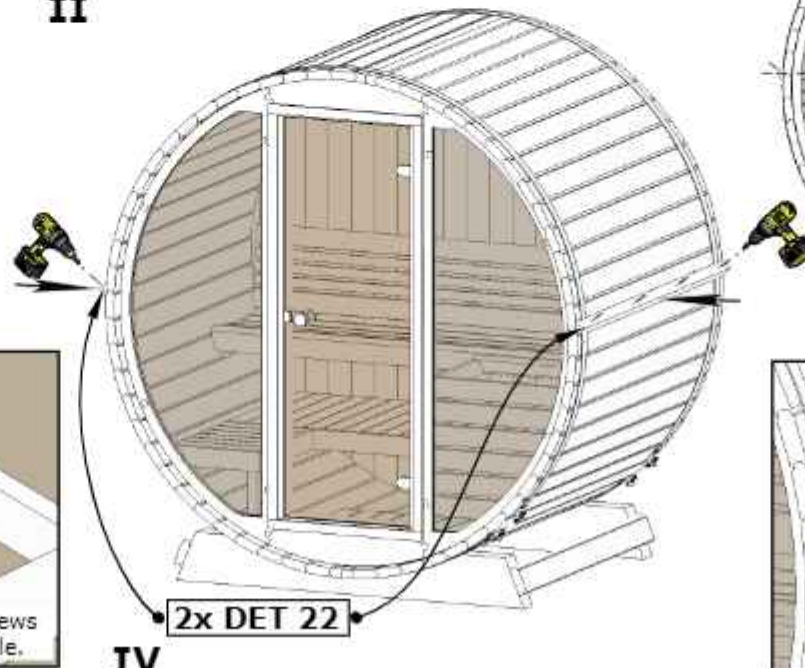
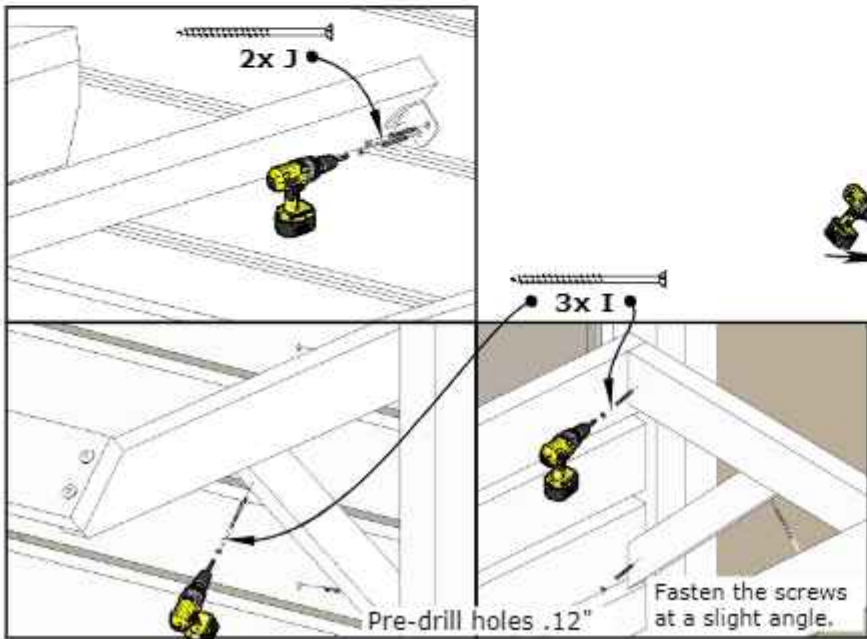
Ensure door frame is pressed tightly against the wall and fasten from inside

Please be careful!!! Do not hit the glass with the screw.



I

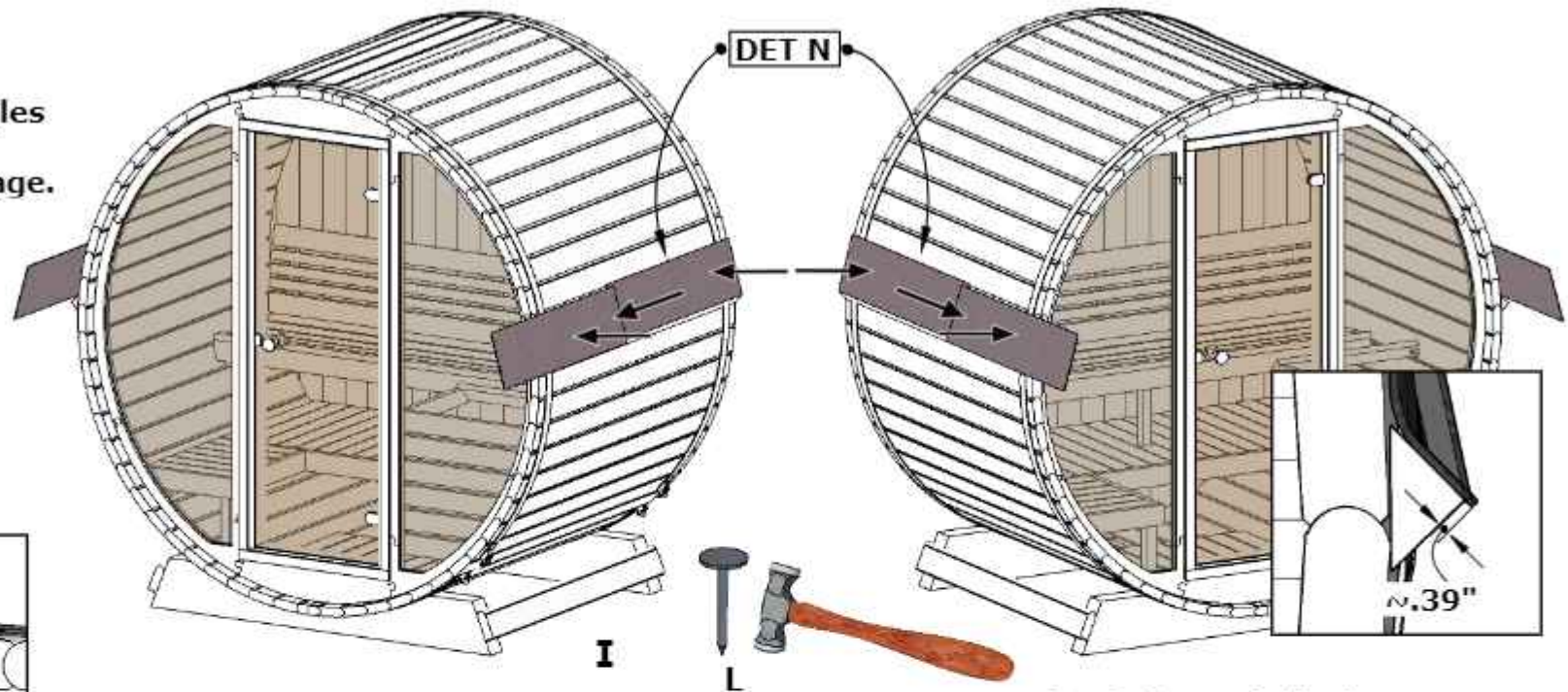
II



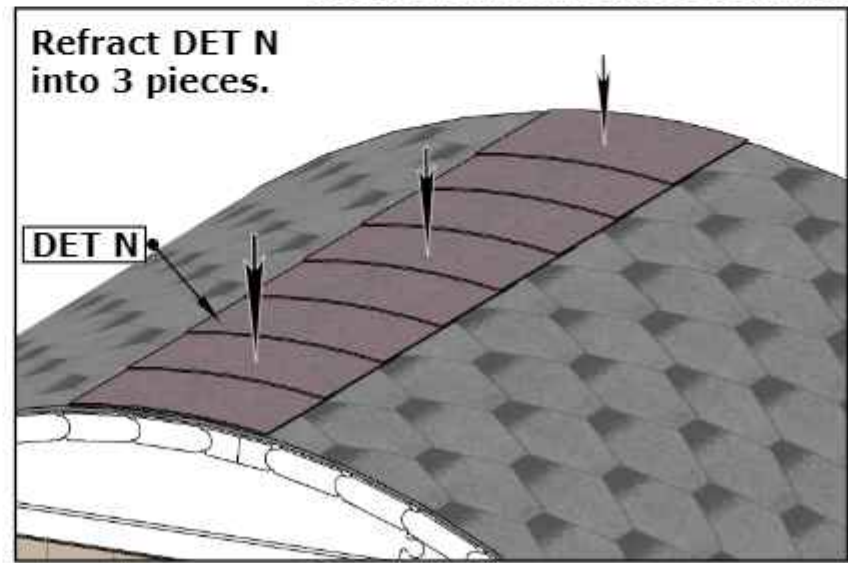
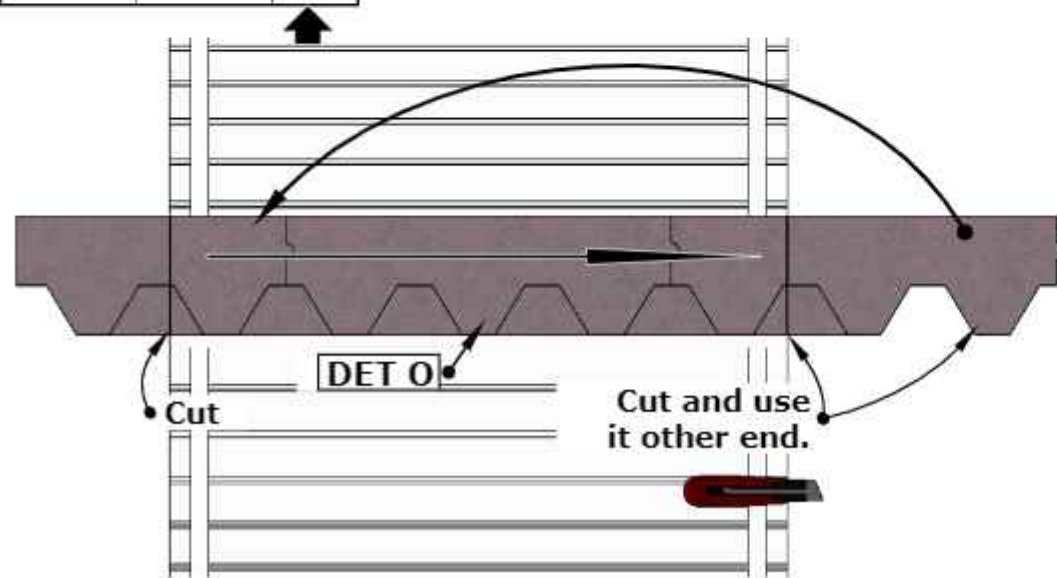
III

IV

NB! Check also shingles installation manual inside shingles package.



Check also roof shingles installation manual inside package.



II

III

