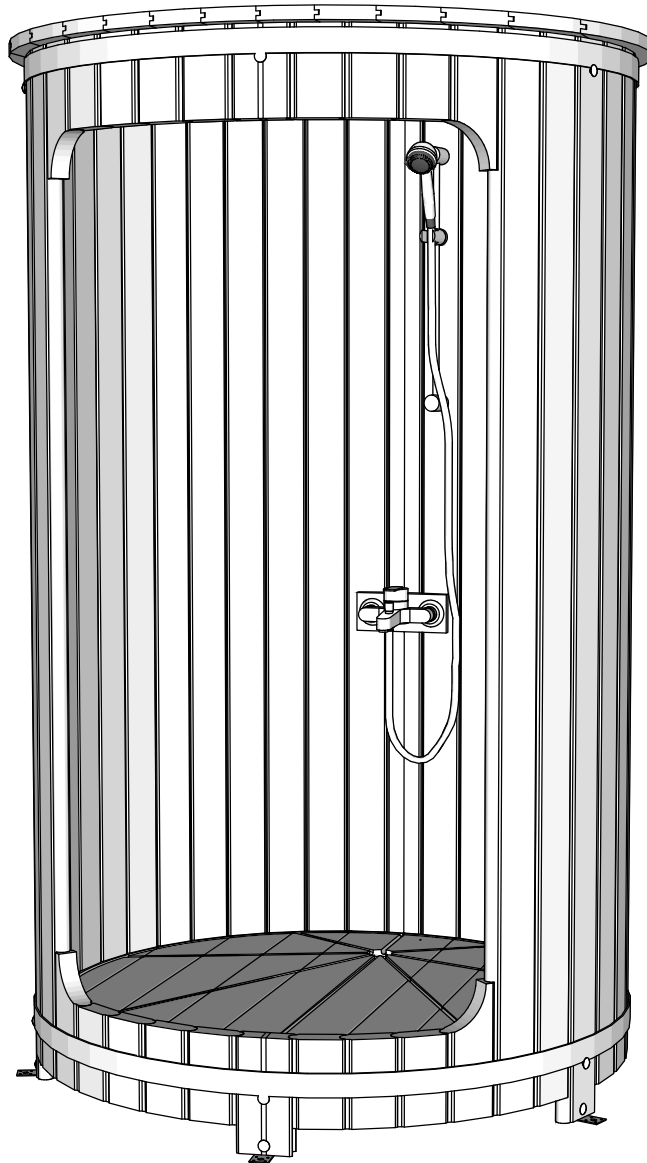




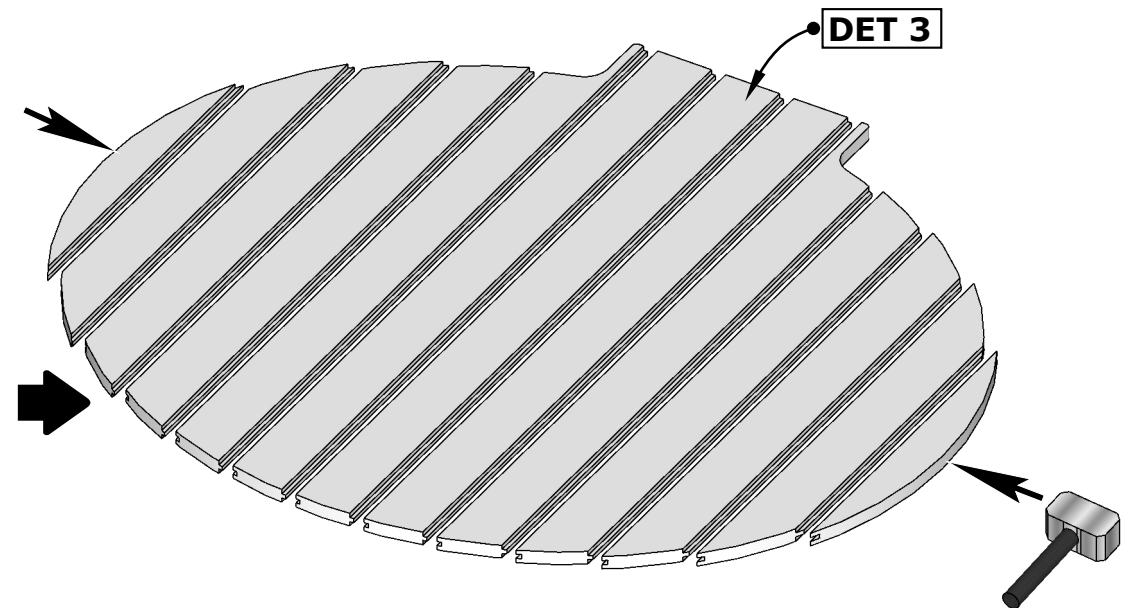
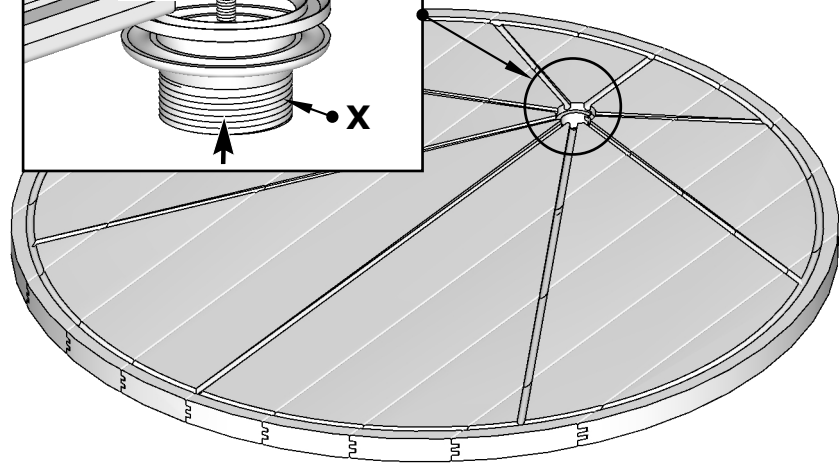
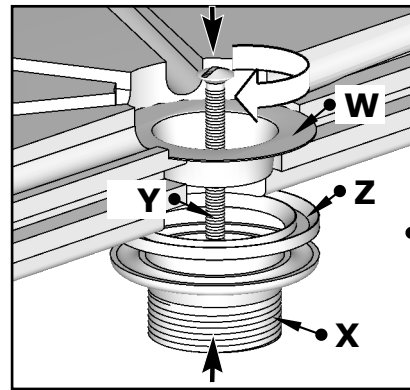
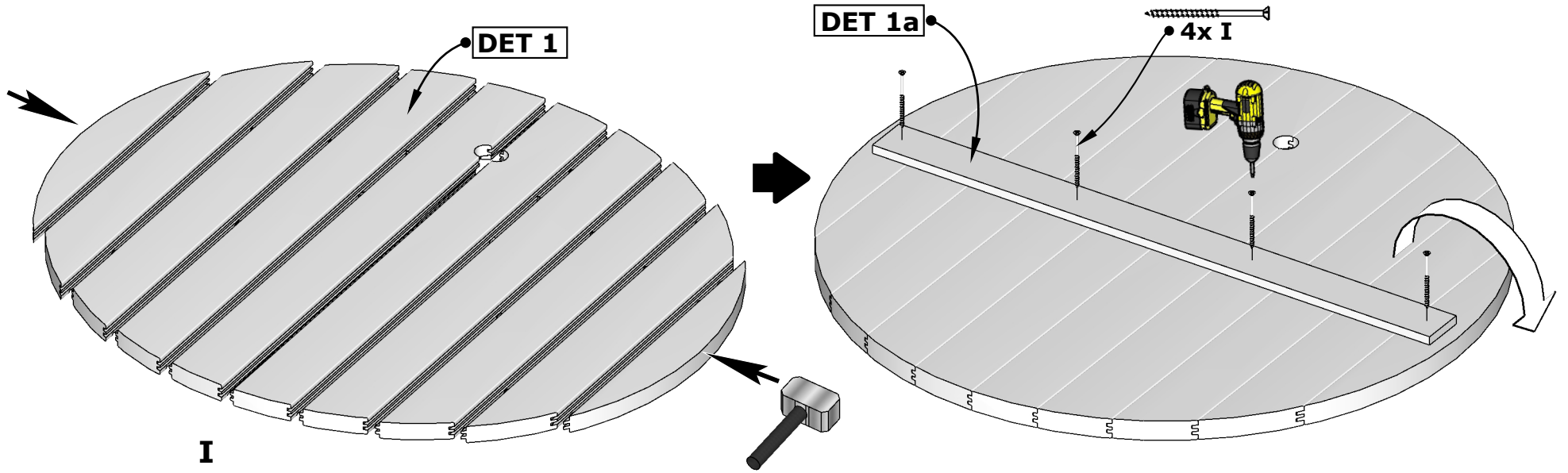
Model R3 Outdoor Barrel Shower
53D" x 90H"



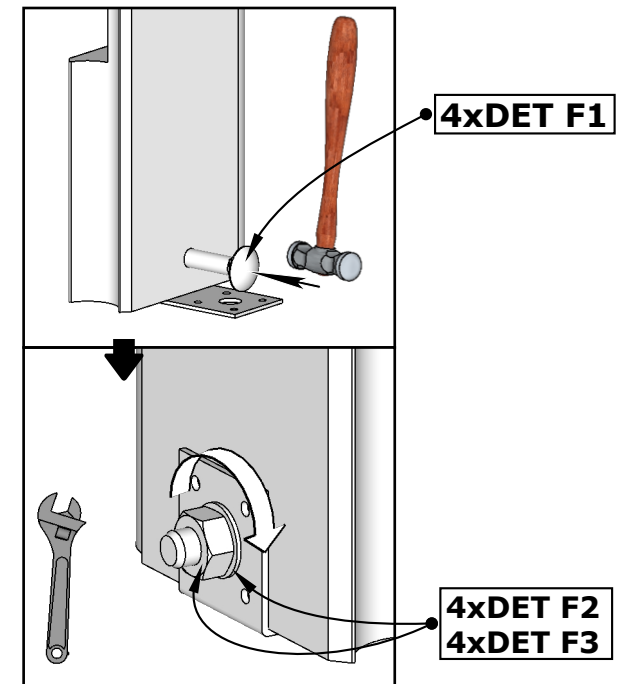
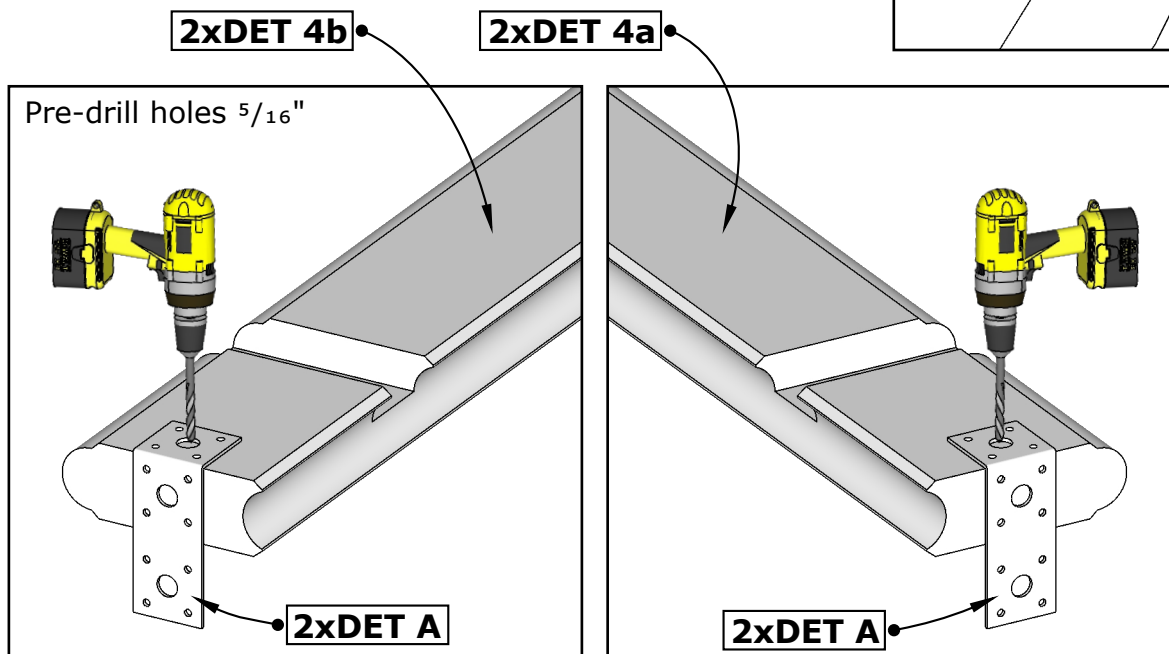
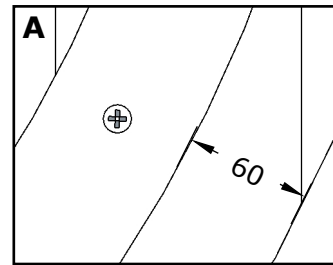
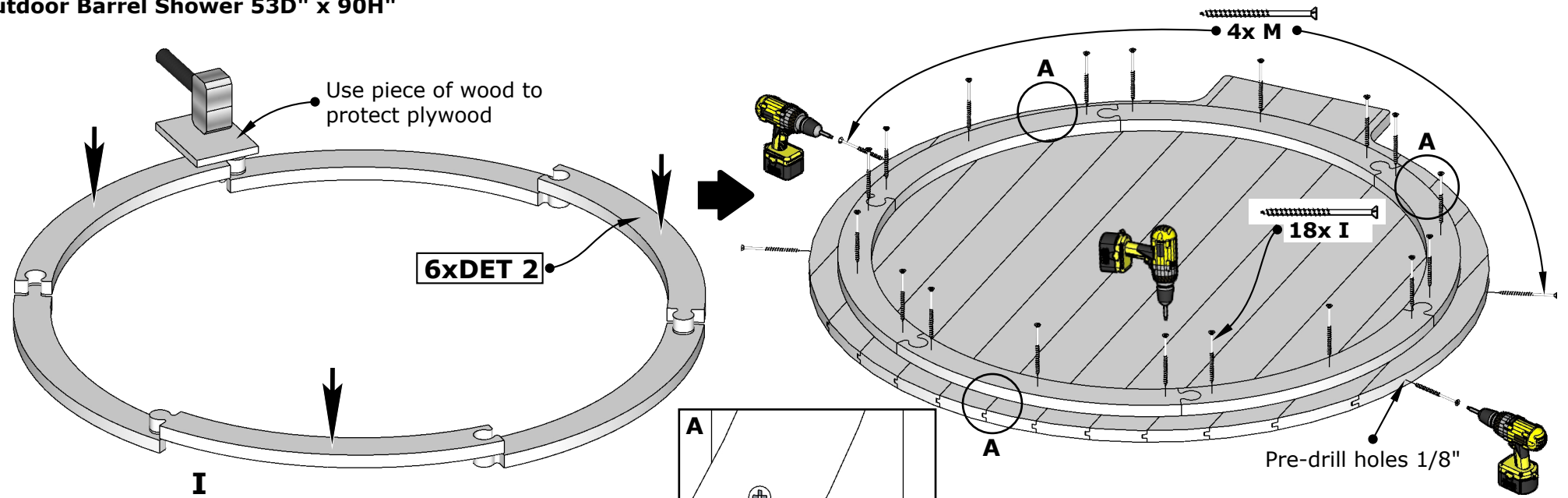
Note: Please read manual before construction

Rev 4/2023

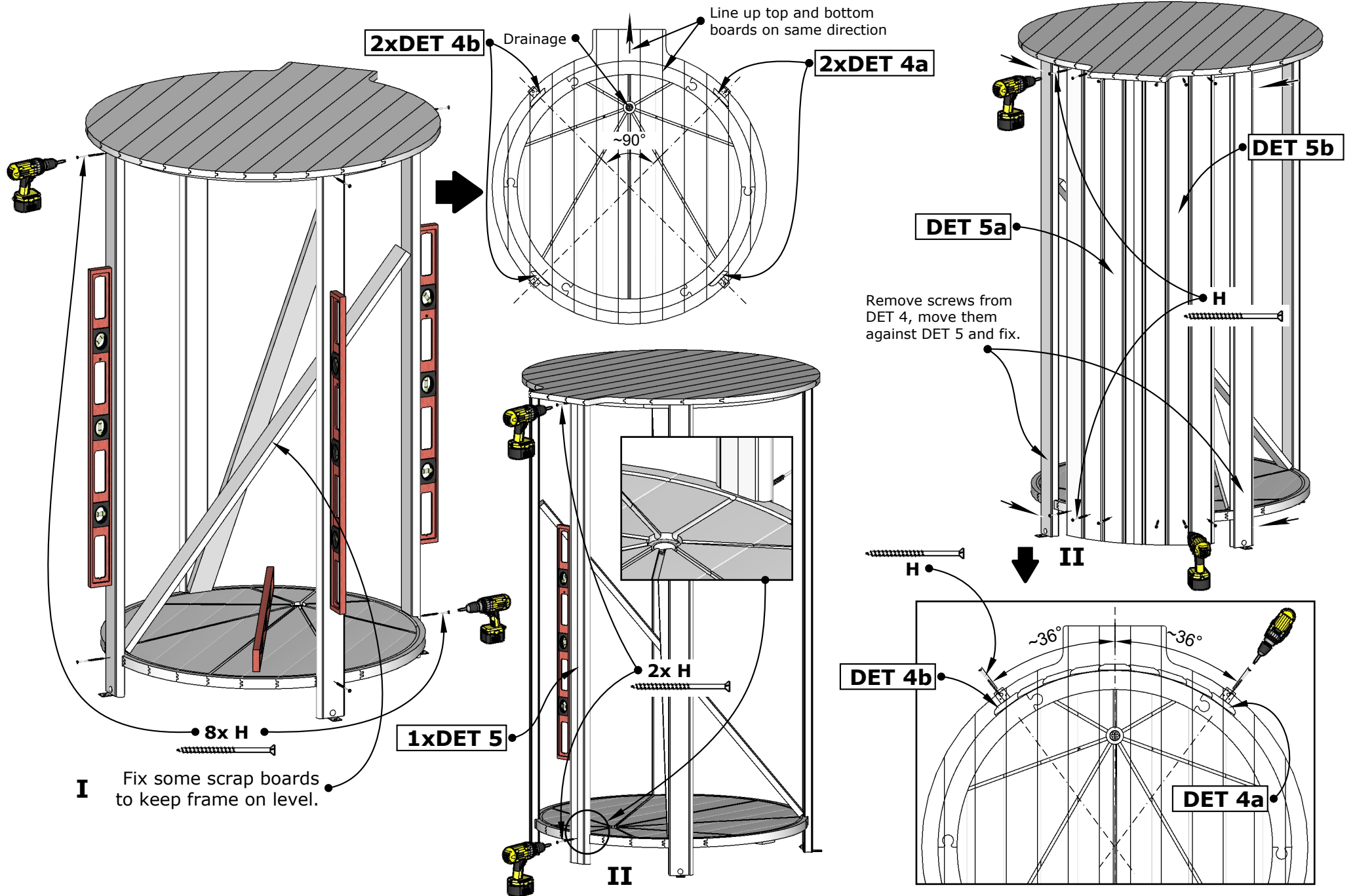
Outdoor Barrel Shower 53D" x 90H"



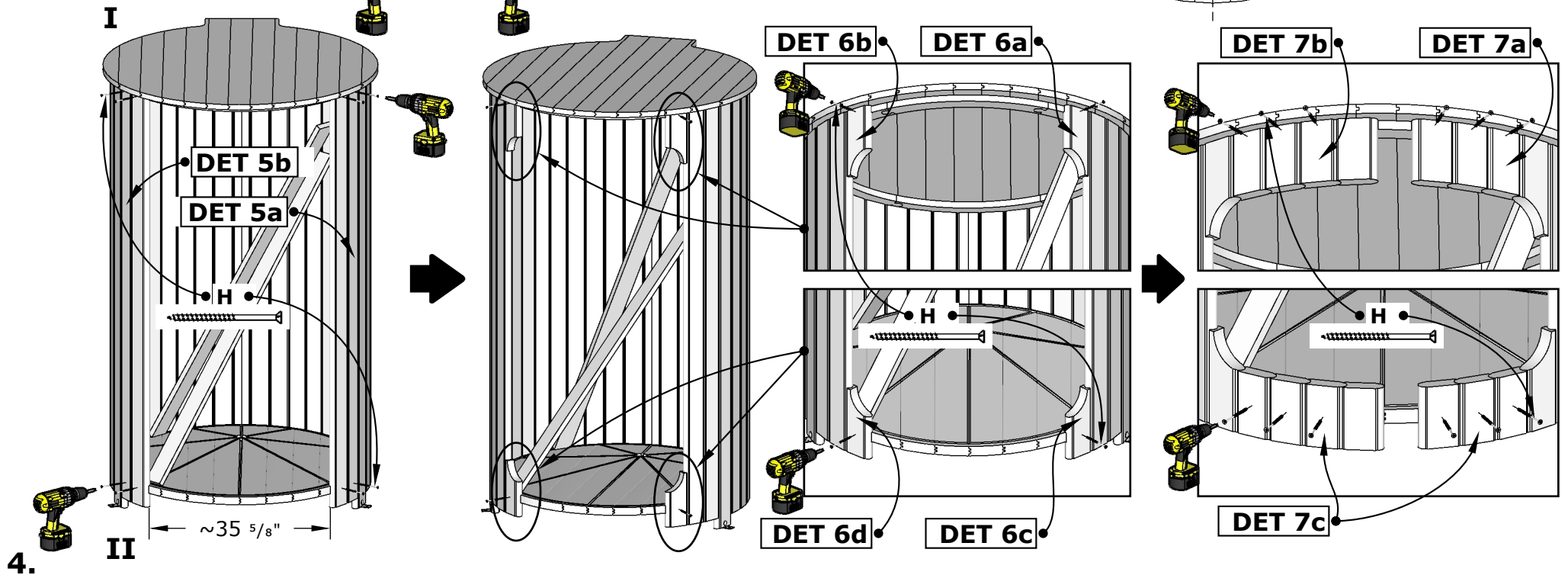
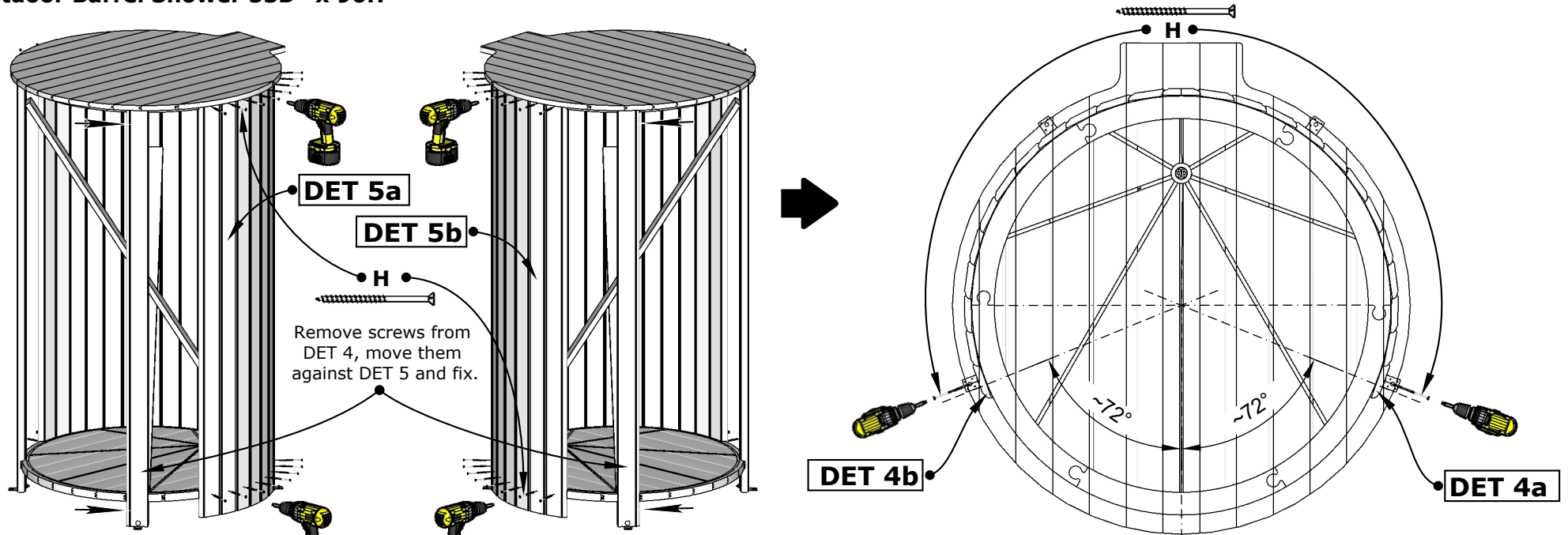
Outdoor Barrel Shower 53D" x 90H"



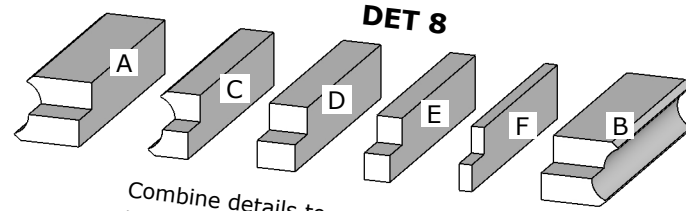
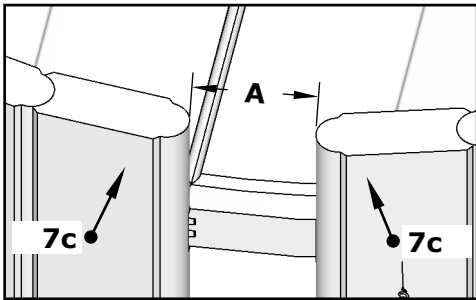
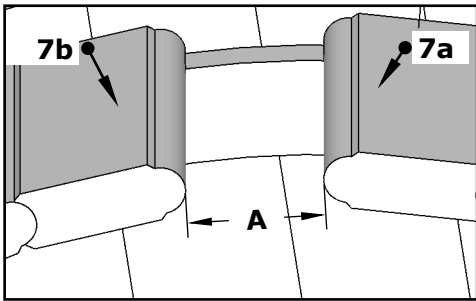
Outdoor Barrel Shower 53D" x 90H"



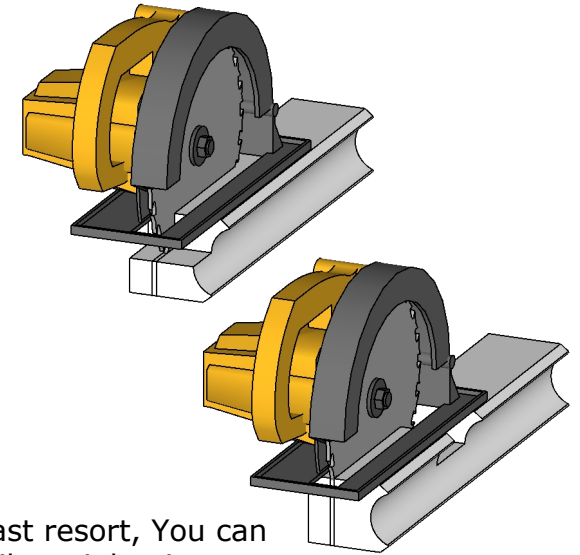
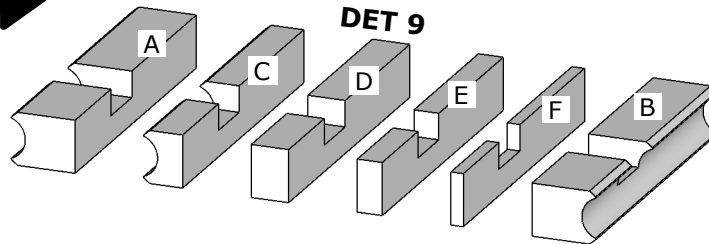
Outdoor Barrel Shower 53D" x 90H"



Outdoor Barrel Shower 53D" x 90H"

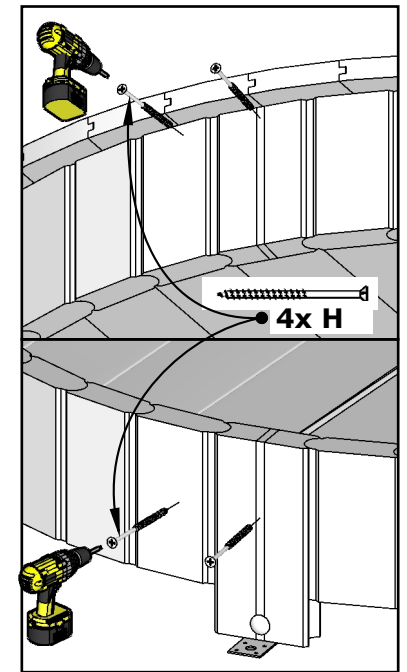
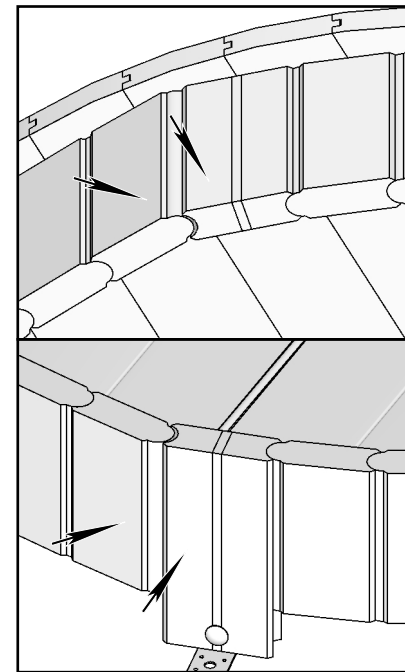
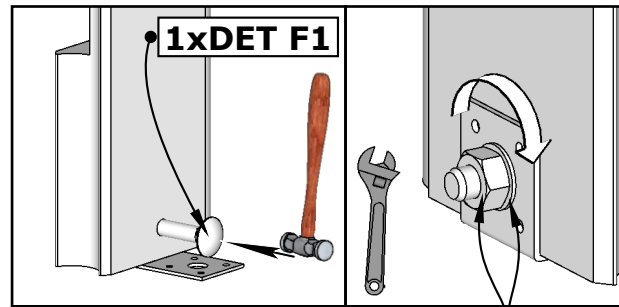
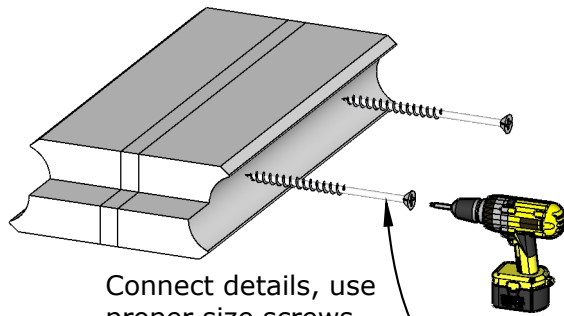


Combine details to get closest match to **A** value. It's recommended that combined details **A** value is slightly bigger than measurement.



As the last resort, You can cut detail on right size.

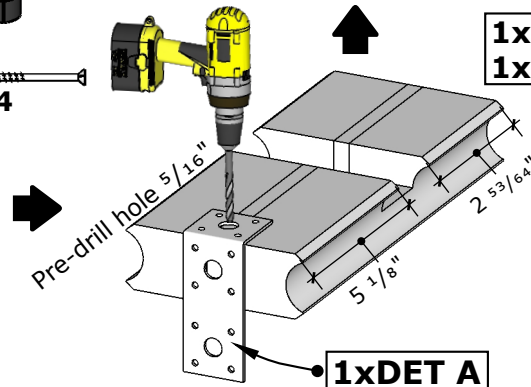
I



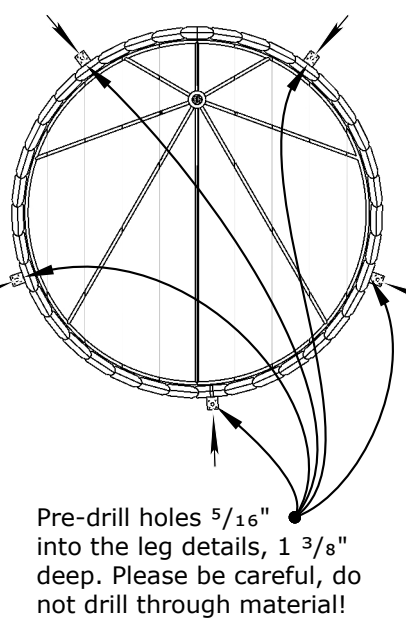
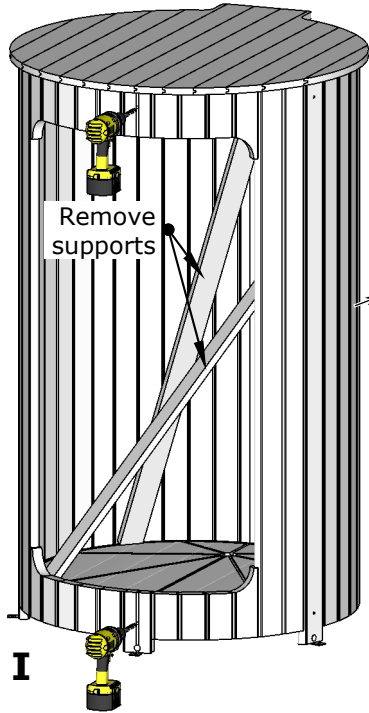
5.

II

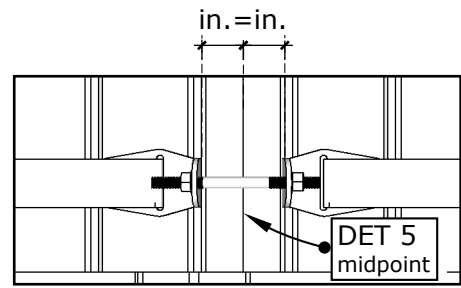
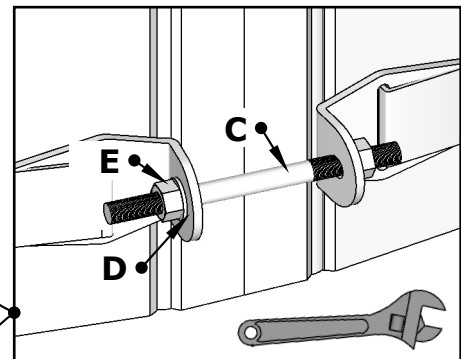
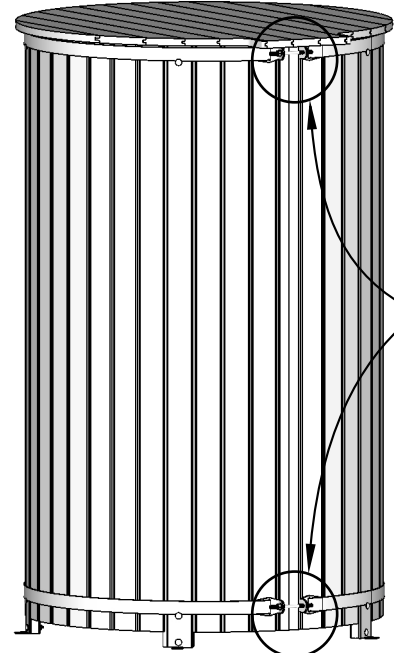
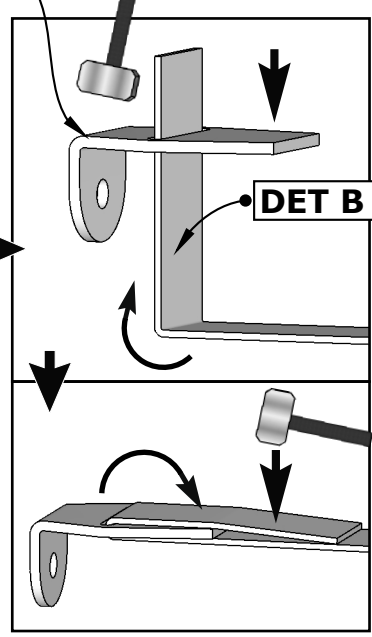
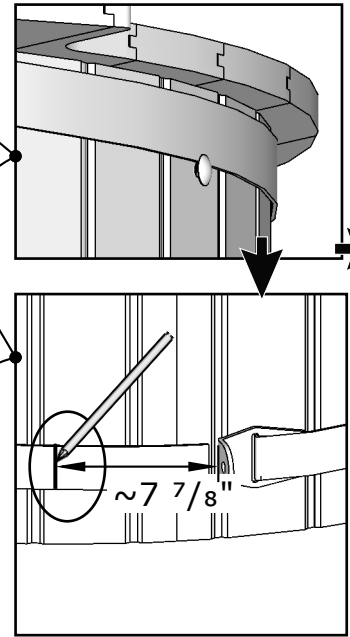
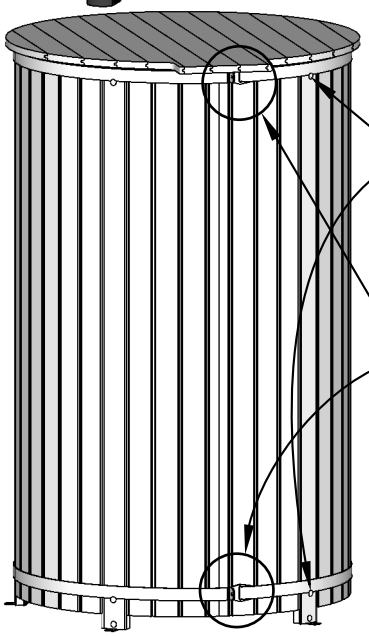
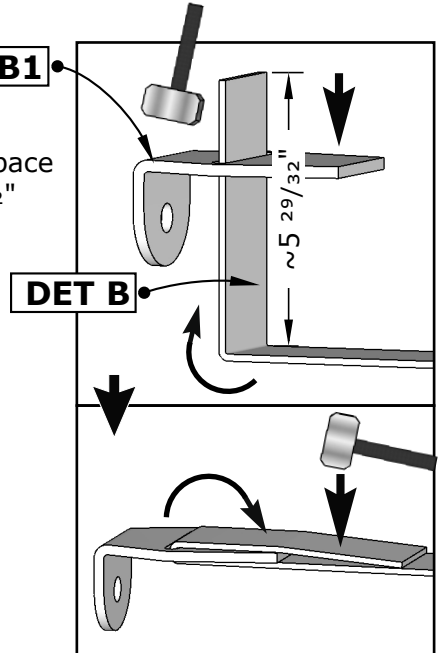
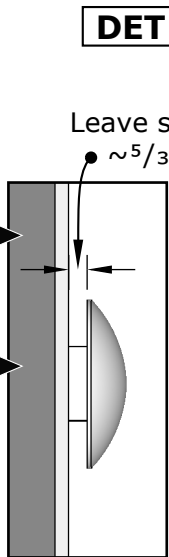
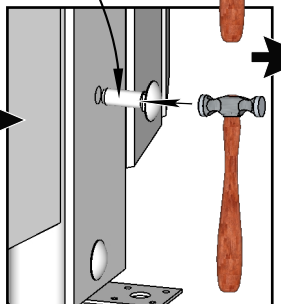
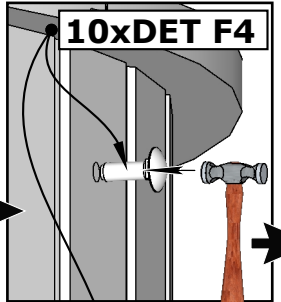
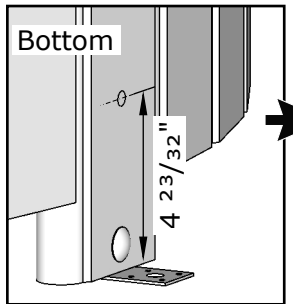
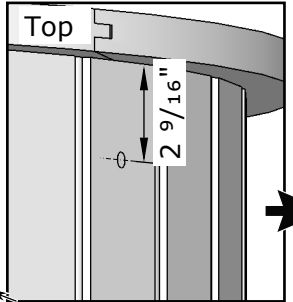
Pre-drill holes $5/32''$ before screws.



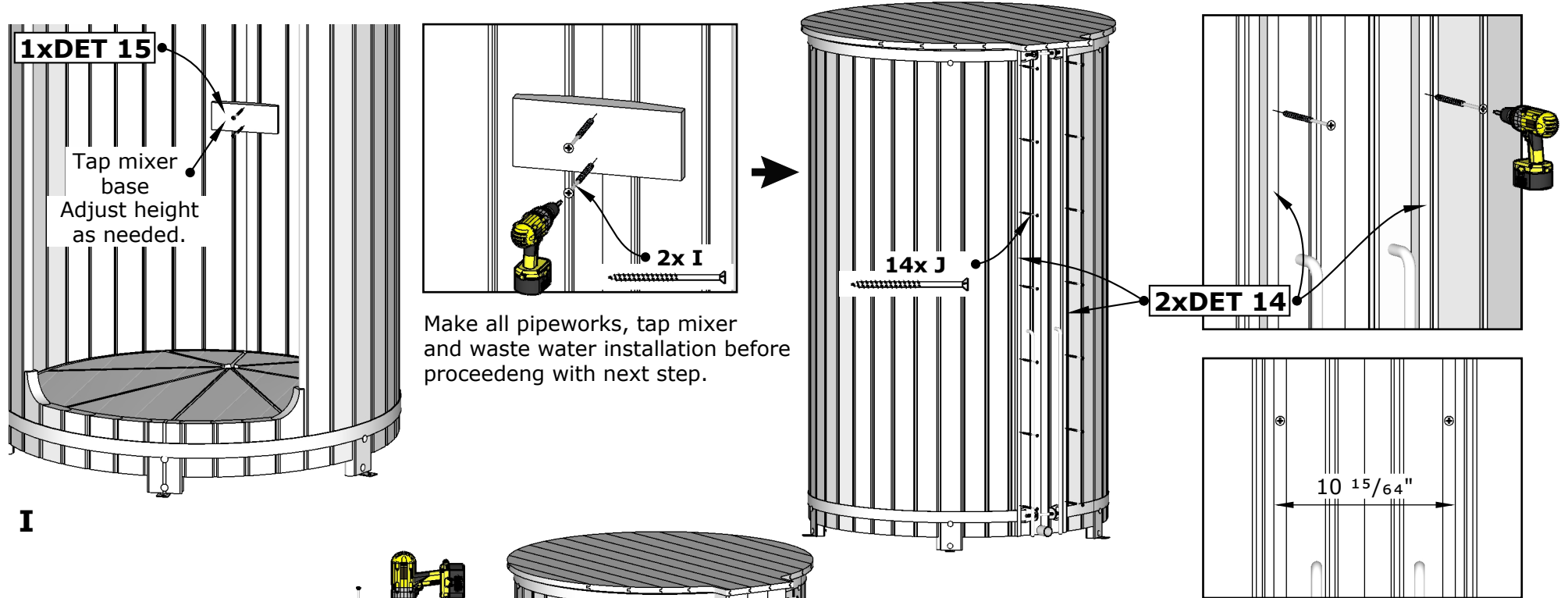
Outdoor Barrel Shower 53D" x 90H"



Pre-drill holes $\frac{5}{16}$ " into the leg details, $1 \frac{3}{8}$ " deep. Please be careful, do not drill through material!

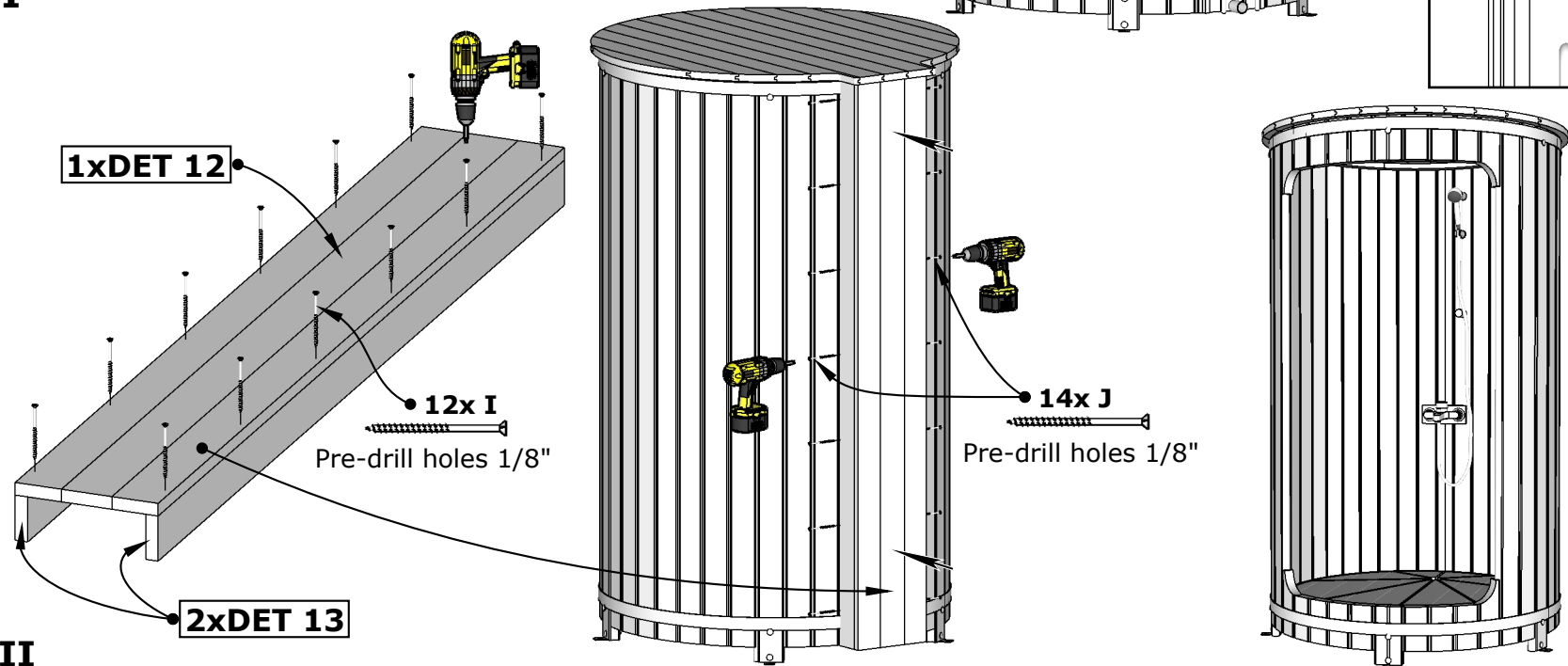


Outdoor Barrel Shower 53D" x 90H"



Make all pipework, tap mixer and waste water installation before proceeding with next step.

I



II

7.