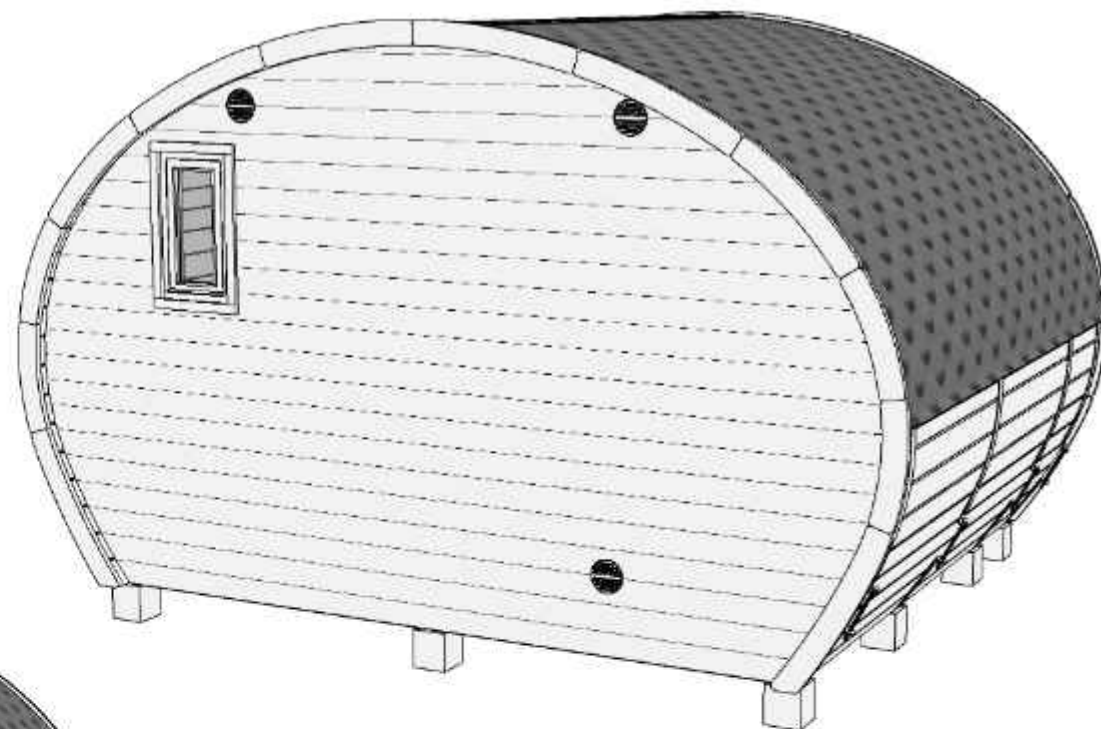
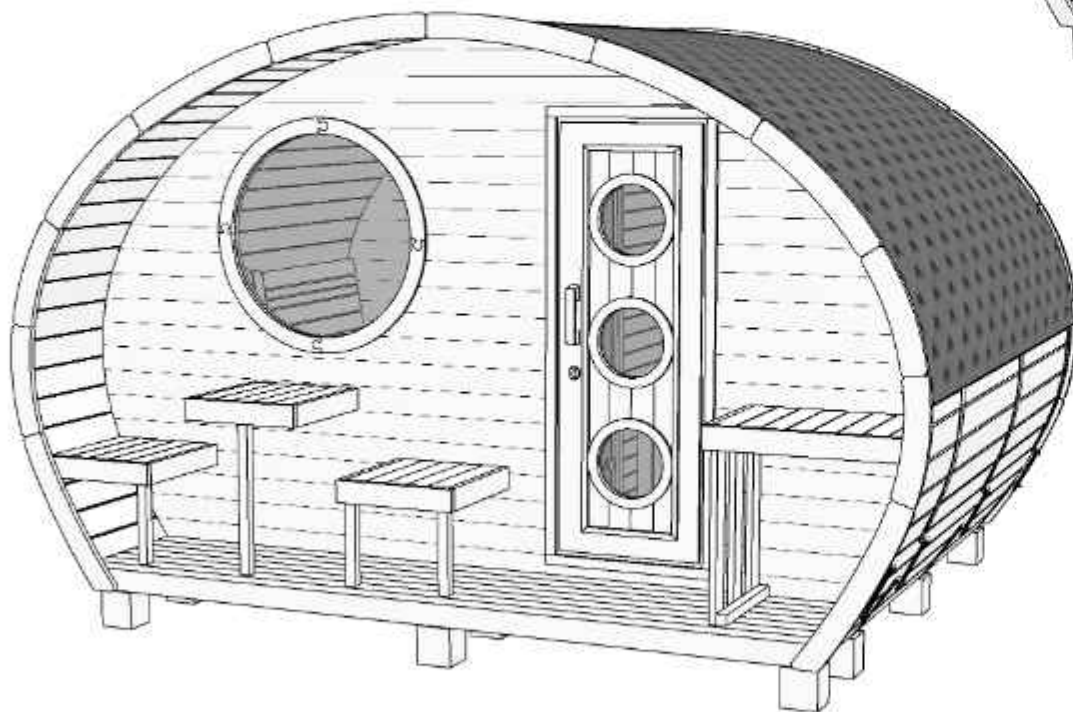




Model G11 Sauna Room Installation Manual



G11 Sauna Model Installation & Owner's Manual

Congratulations on your purchase of the SaunaLife G11 unit. If you have questions during assembly or ownership, please call us at 1-800-957-2962 or send an email to info@saunalife.com

Our regular business hours are 8am-5pm CST, Monday through Friday, excluding US holidays.

These instructions are for the constructor, electrician, and ultimately the owner of the SaunaLife G11 unit. Please read the whole manual before assembly and keep it accessible after.

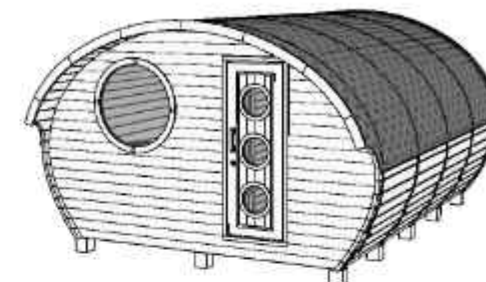
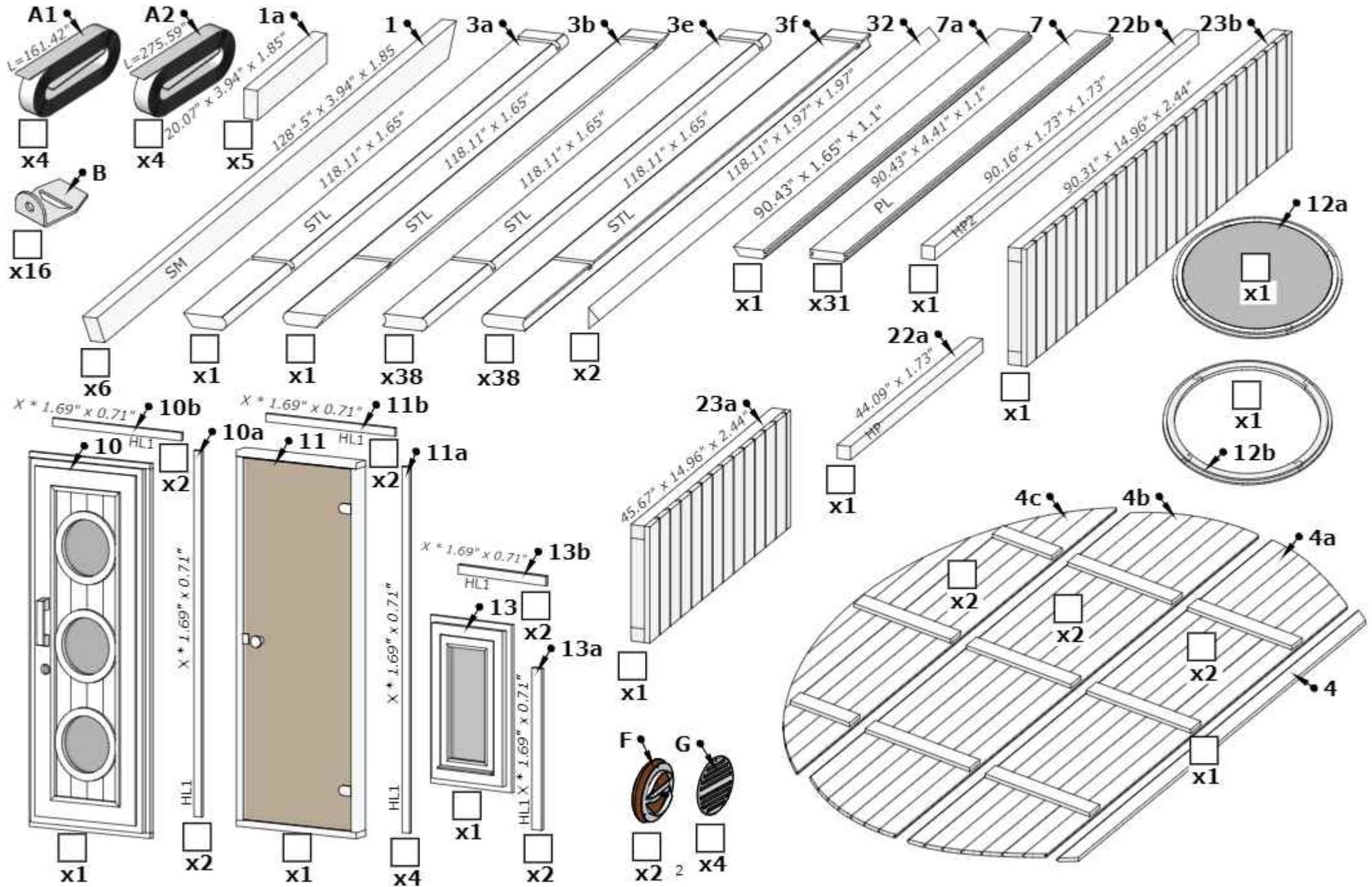


Table of Contents:

SaunaLife G11 Kit Contents.....	p.2
Sauna Assembly: Step by Step Guide.....	p.5
Wall Assembly.....	p.7
Door installation.....	p.13
Bench installation.....	p.17
Front porch assembly.....	p.20
Underlay felt & roof installation	p.21

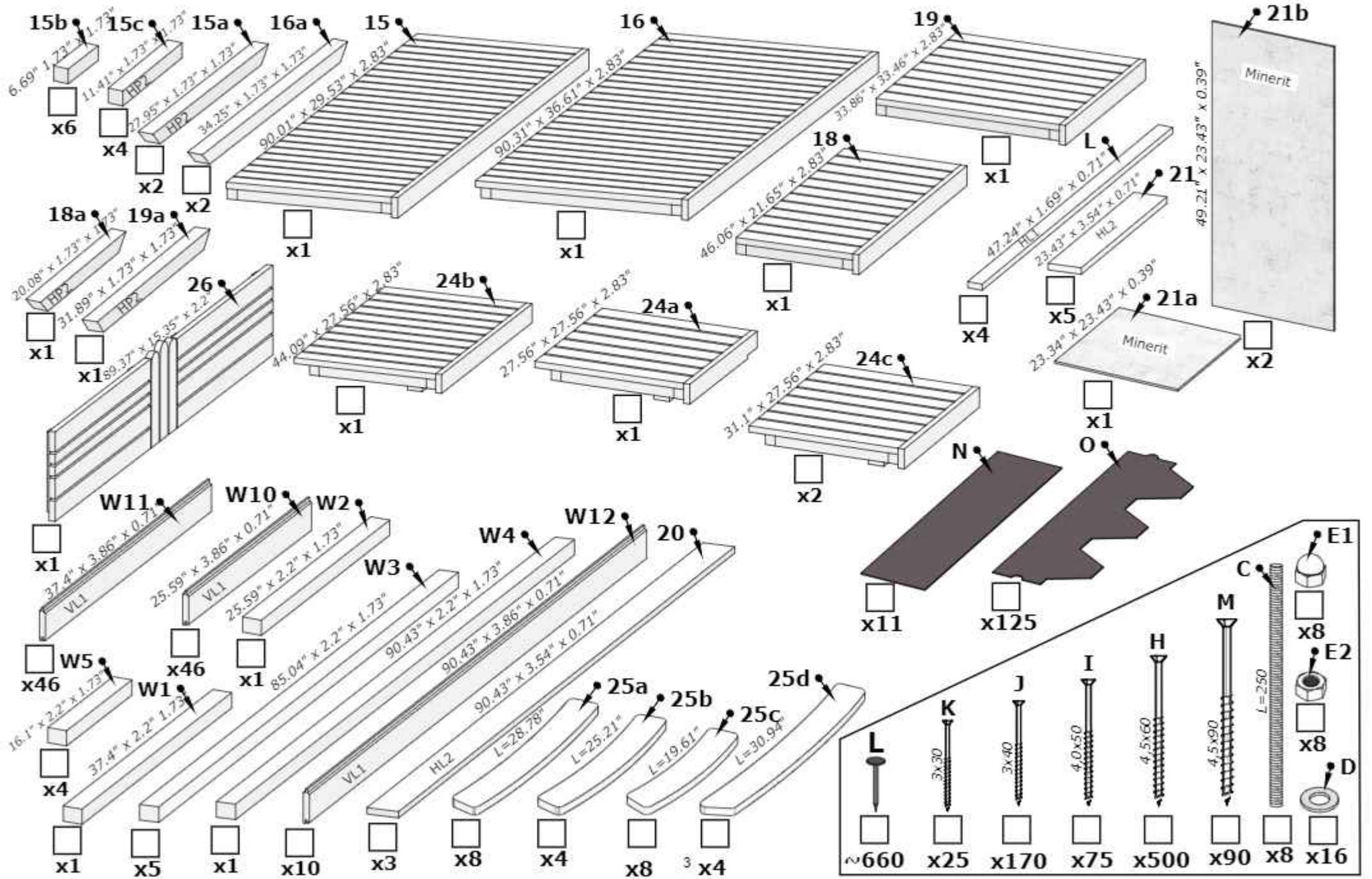
G11 Sauna Model

Details list 1 of 3 pages.



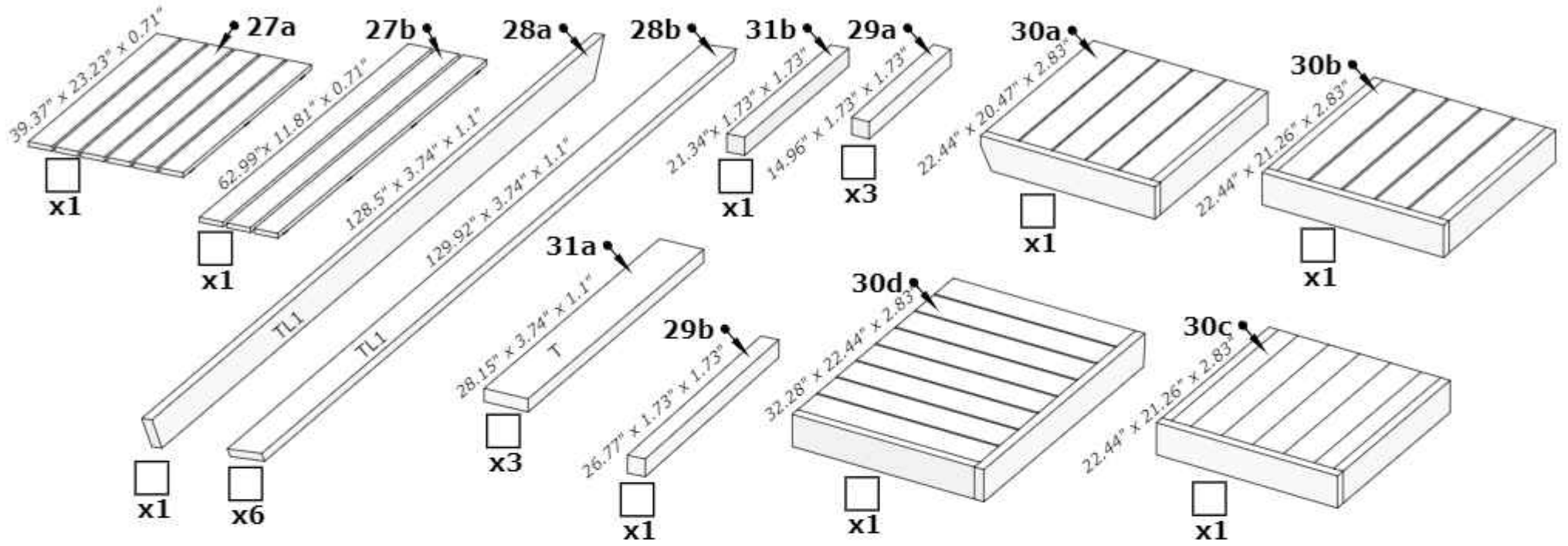
G11 Sauna Model

Details list 2 of 3 pages.



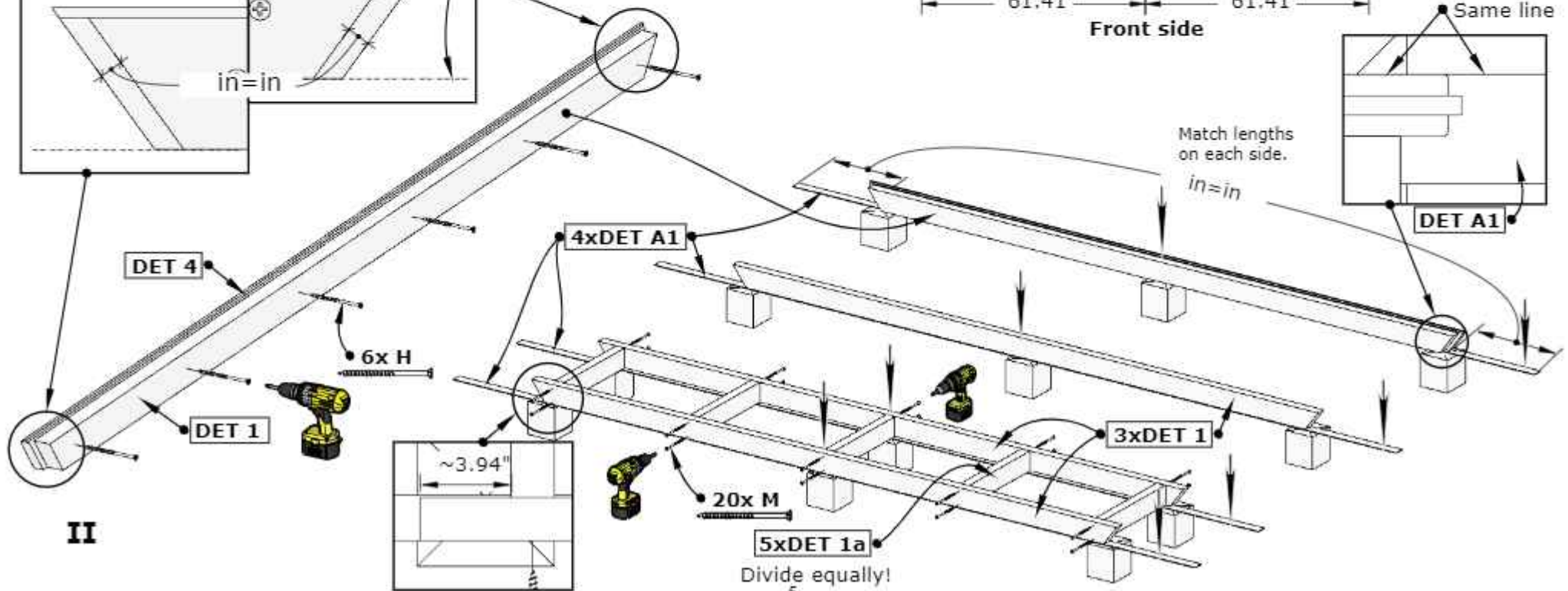
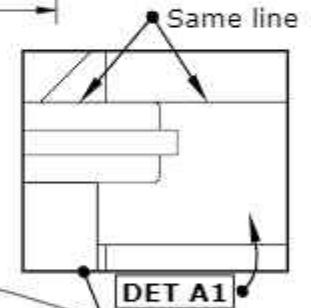
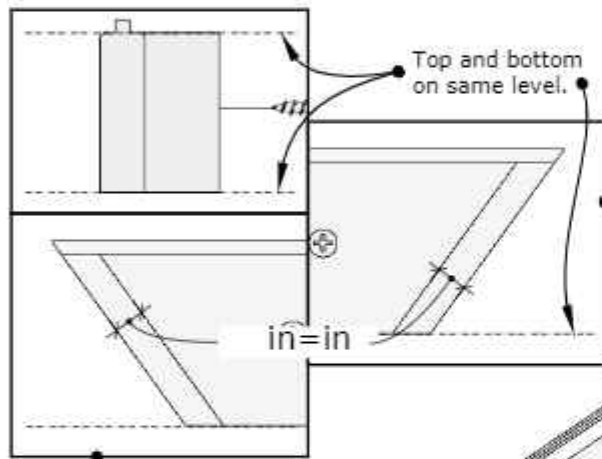
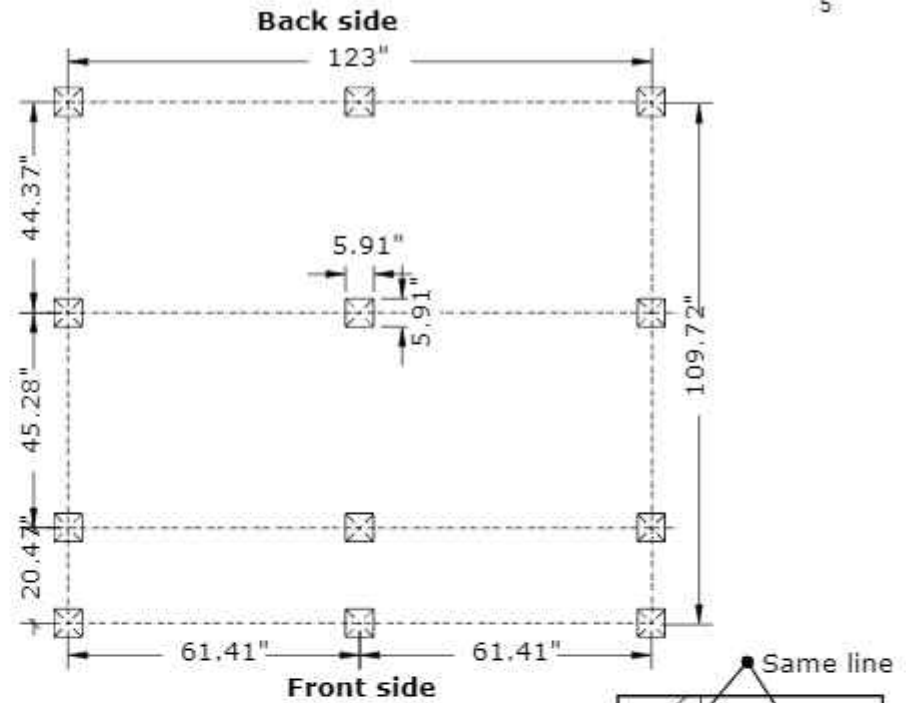
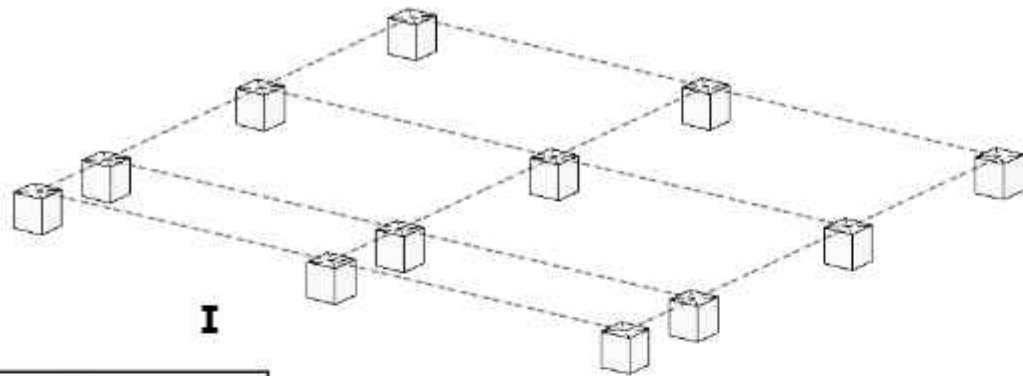
G11 Sauna Model

Details list 3 of 3 pages.



Step 1. Room Layout

Lay out the foundational pieces and begin setting up your new space.

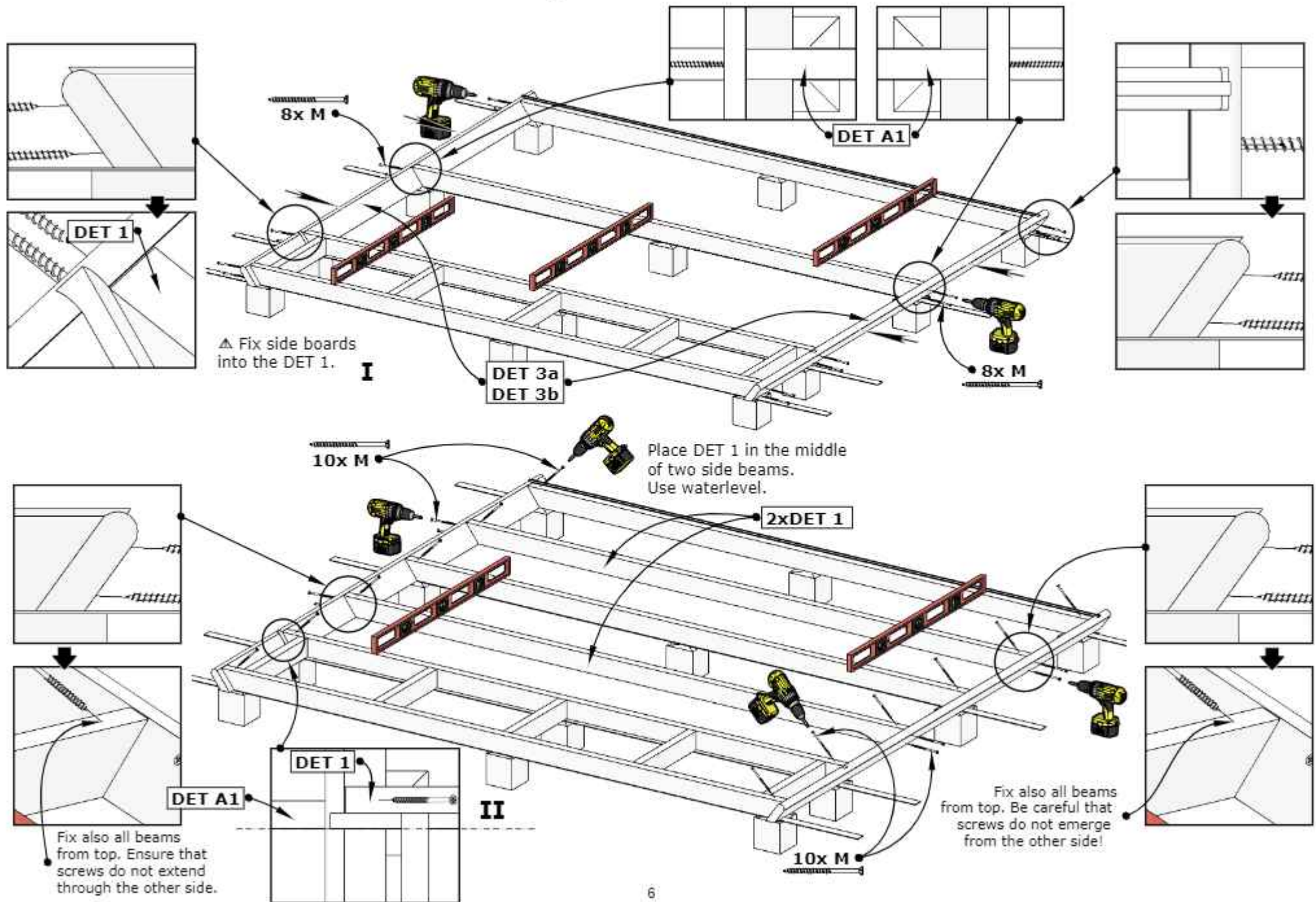


5xDET 1a
Divide equally!

Step 2. Setting the Foundation

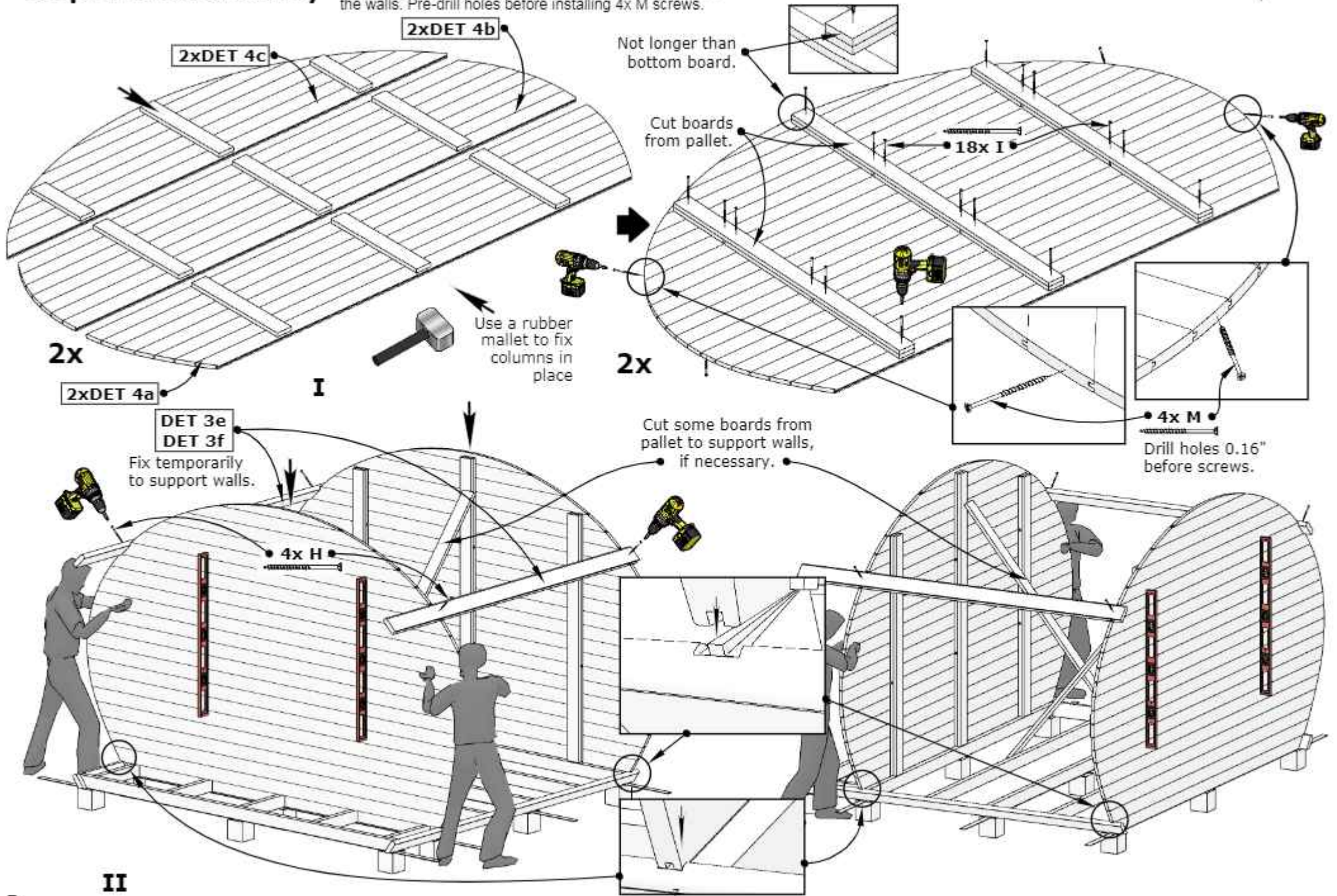
Align levels and corners to assemble your foundational flooring.

6



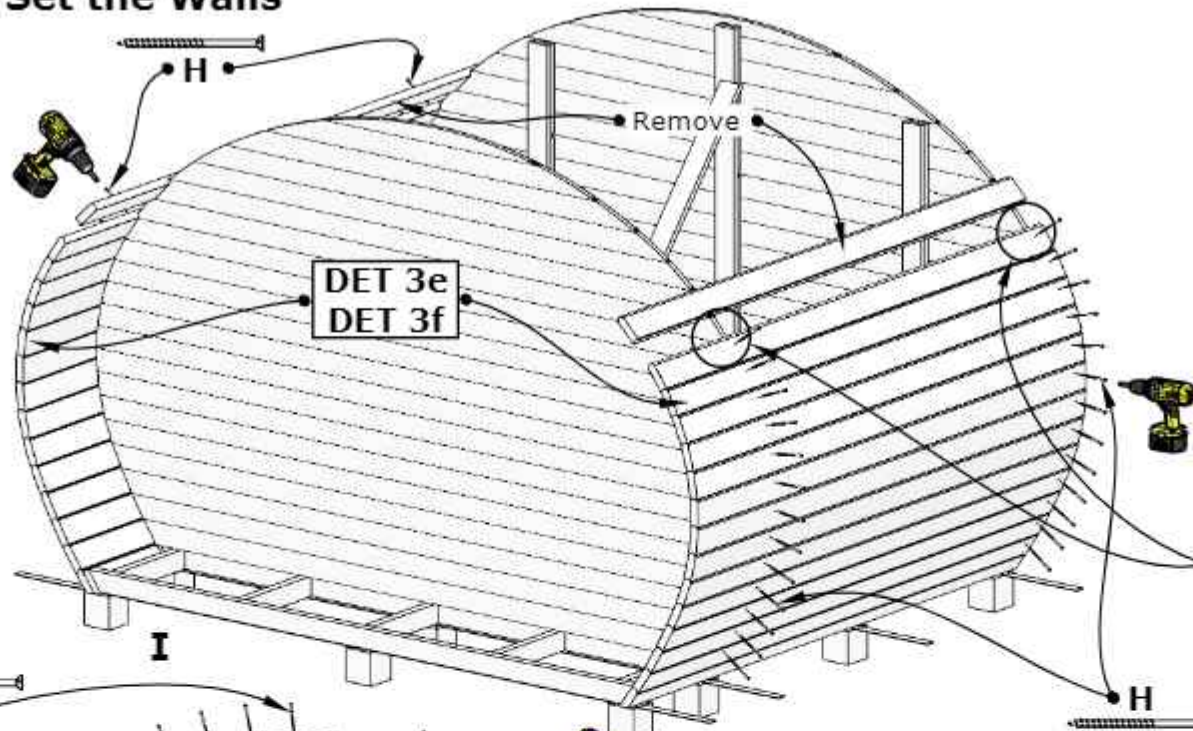
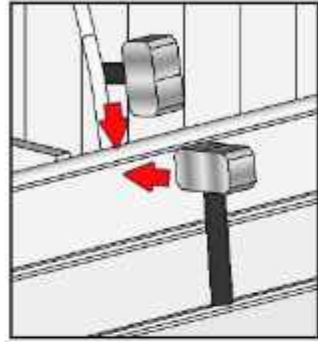
Step 3. Wall Assembly

Fix DET 3e and 3f, or use pallet wood to temporarily support the walls. Pre-drill holes before installing 4x M screws.

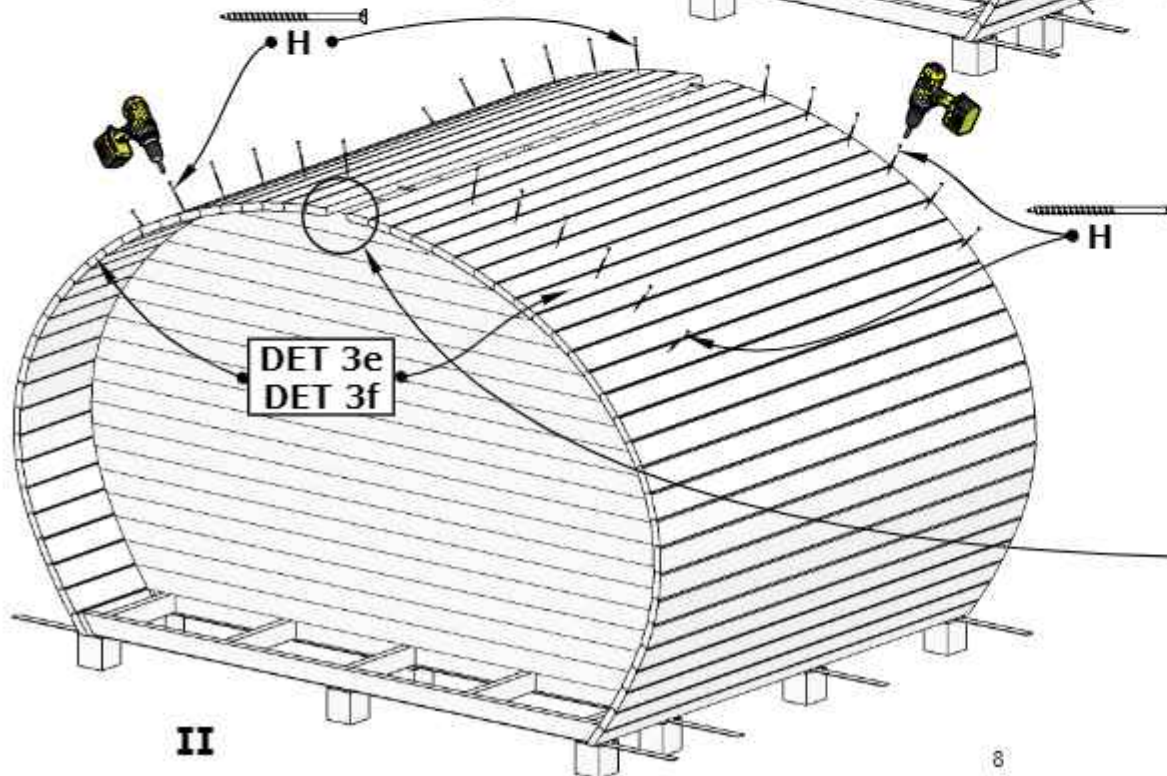
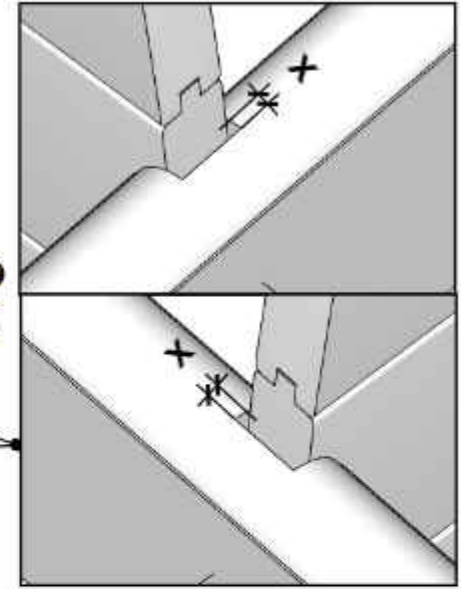


Step 4. Raise and Set the Walls

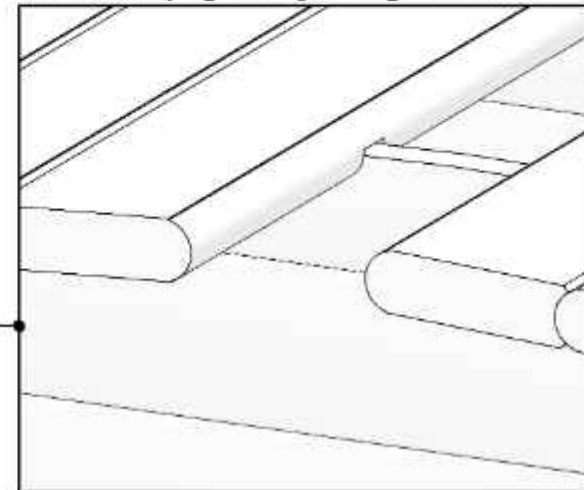
Drill according to the pattern in diagram I & II for ultimate results.



On both sides:
Regular wood X= 0.28" - 0.31"
Thermo wood X= 0.12" - 0.16"

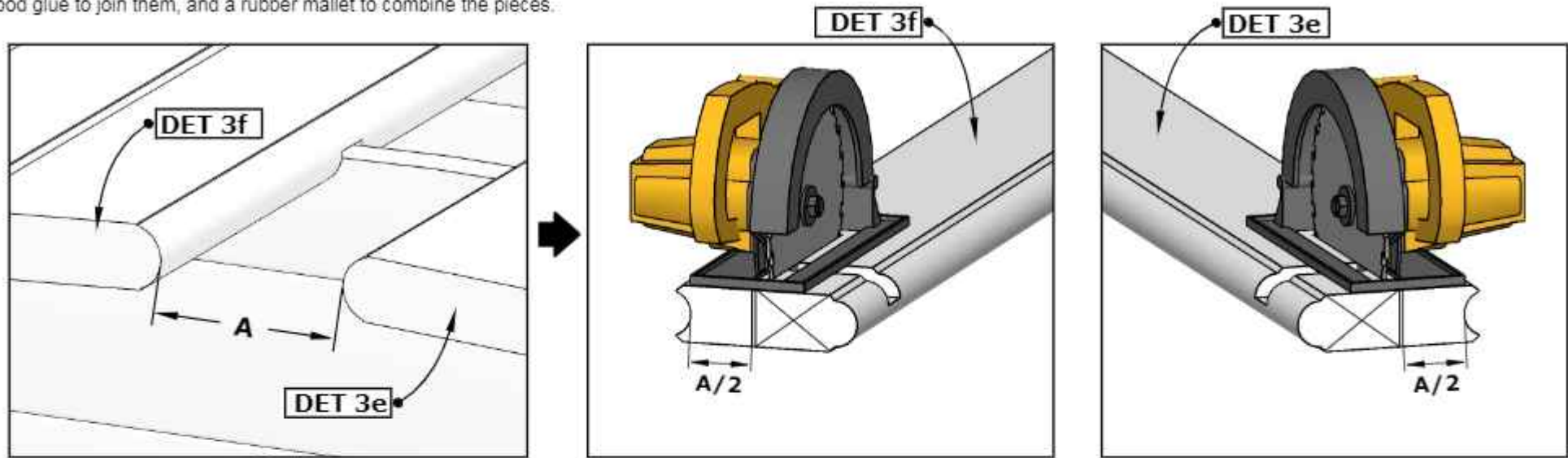


See next page for joining instructions.

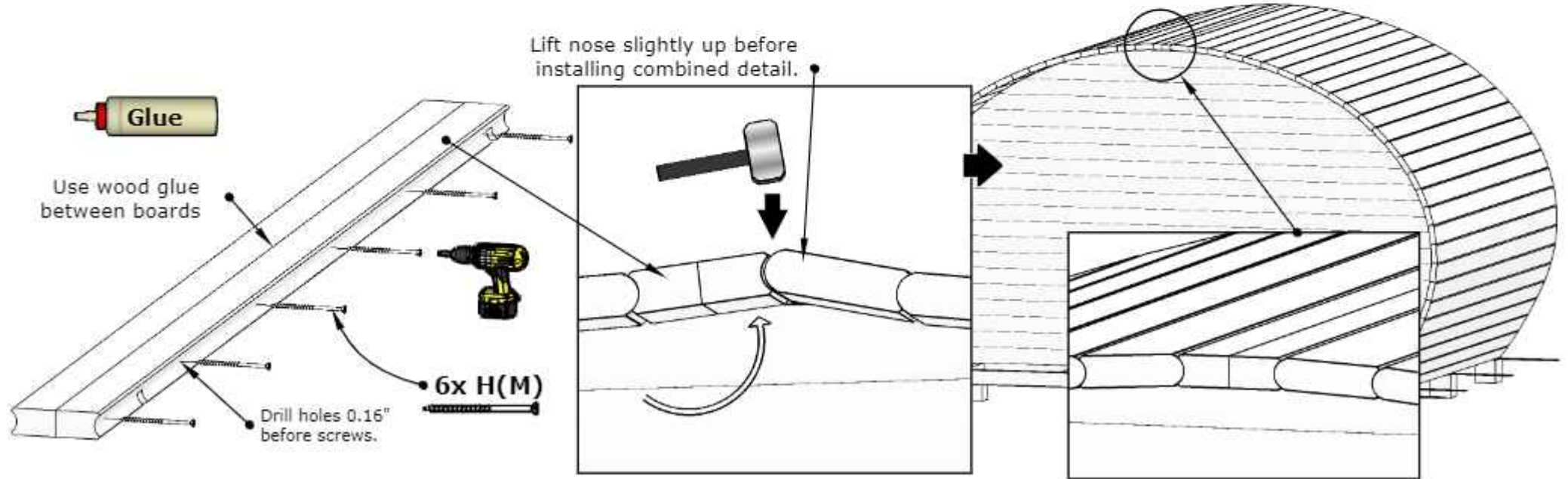


Step 5. Size and Cut the Top

Measure and size your A board pieces and cut them to size. Use wood glue to join them, and a rubber mallet to combine the pieces.



I

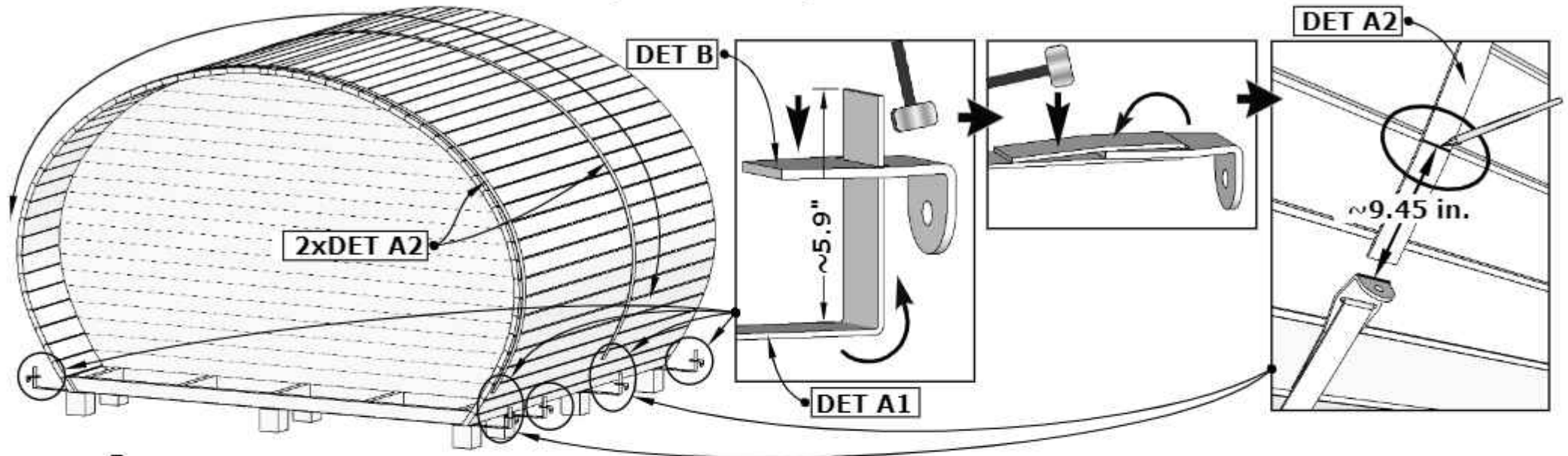


II

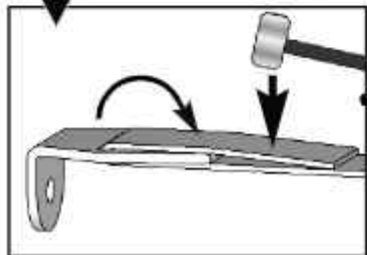
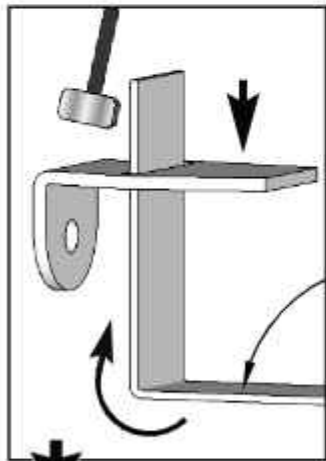
Step 6. Tighten Bands and Bolts

Use gloves and practice caution when handling steel bands. Bind using DET bolts and a strong wrench.

10

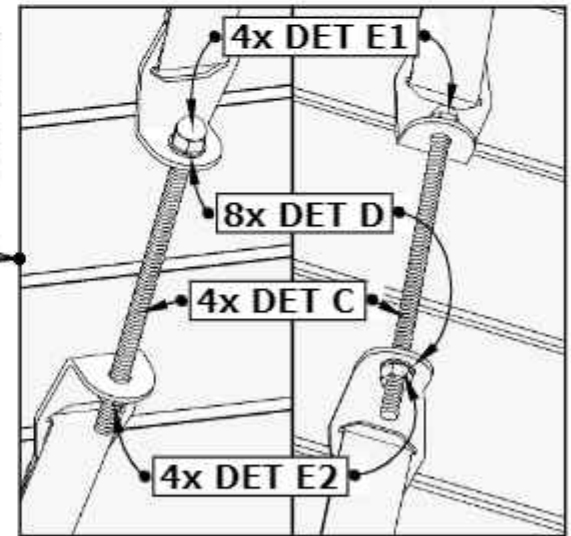
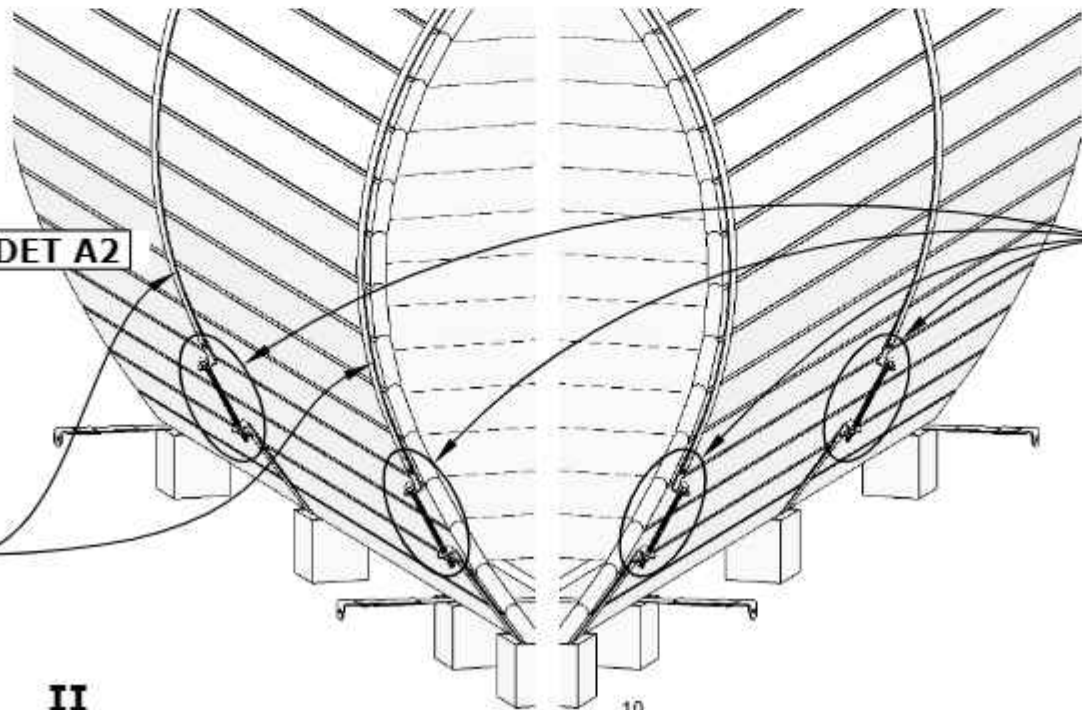


I



DET A2

II



4x DET E1

8x DET D

4x DET C

4x DET E2

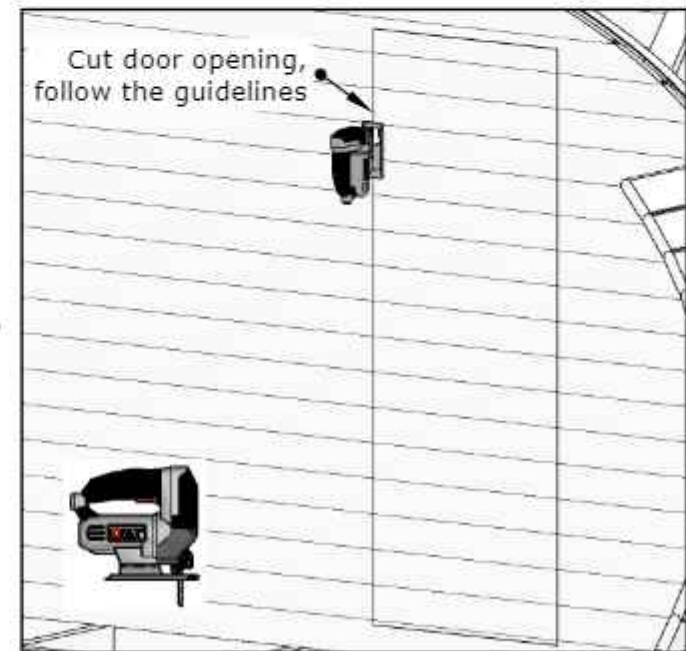
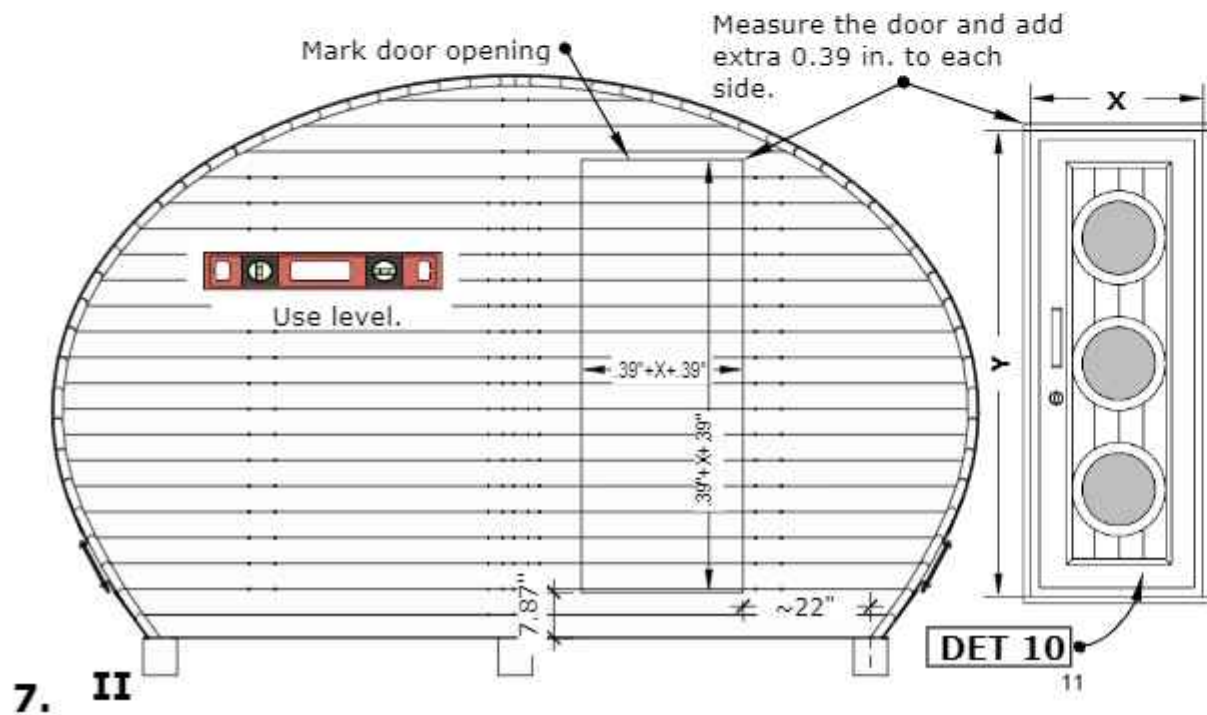
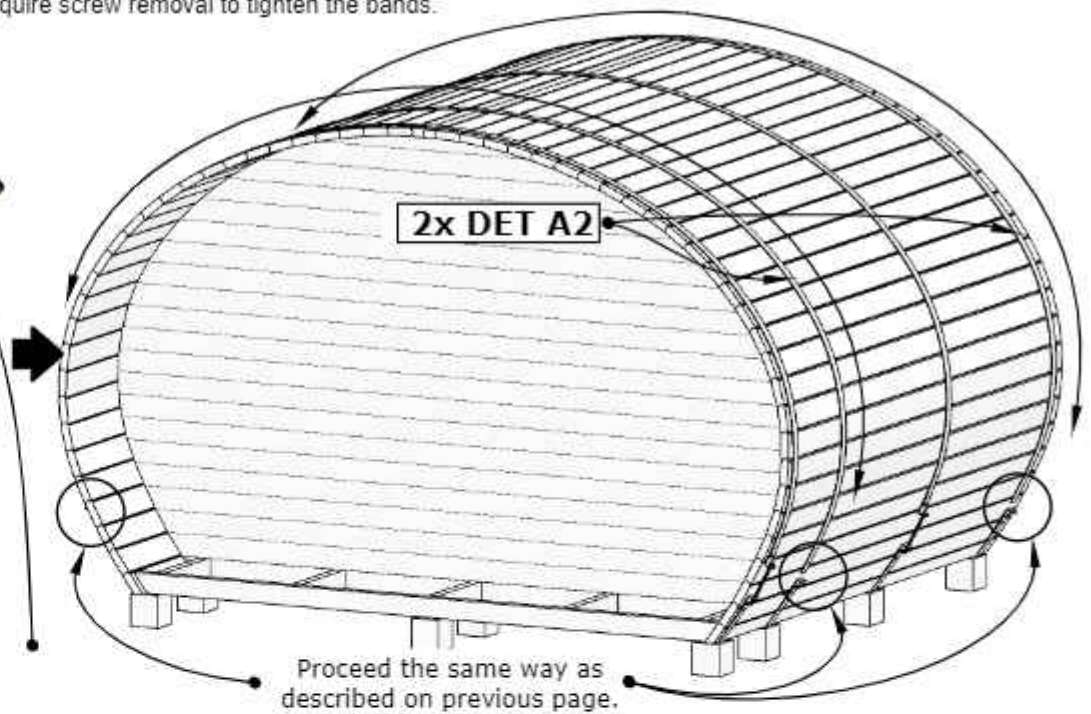
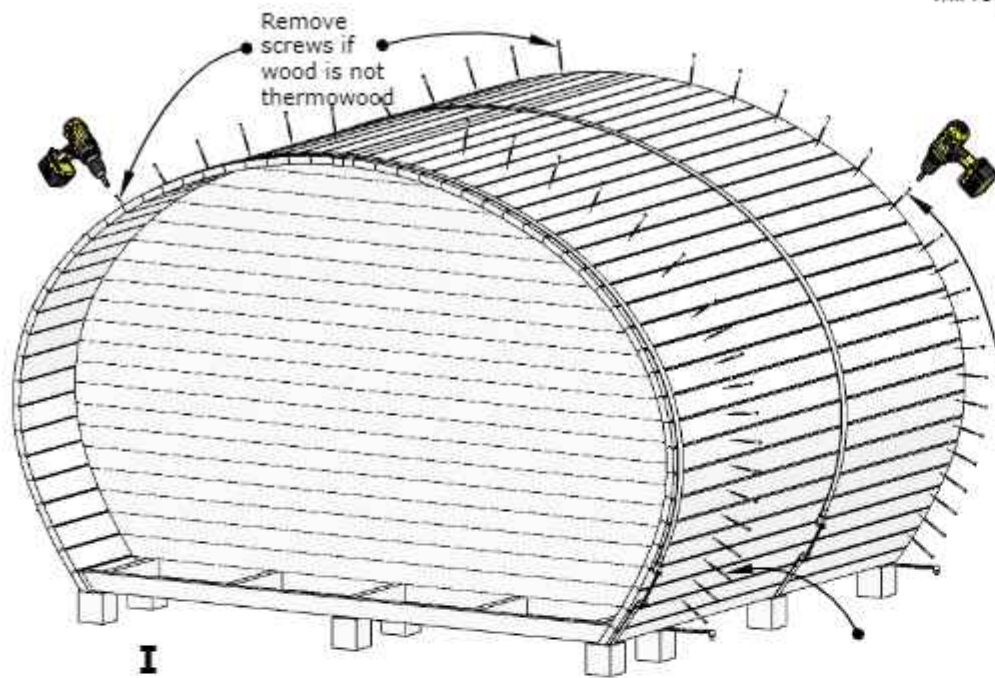


6.

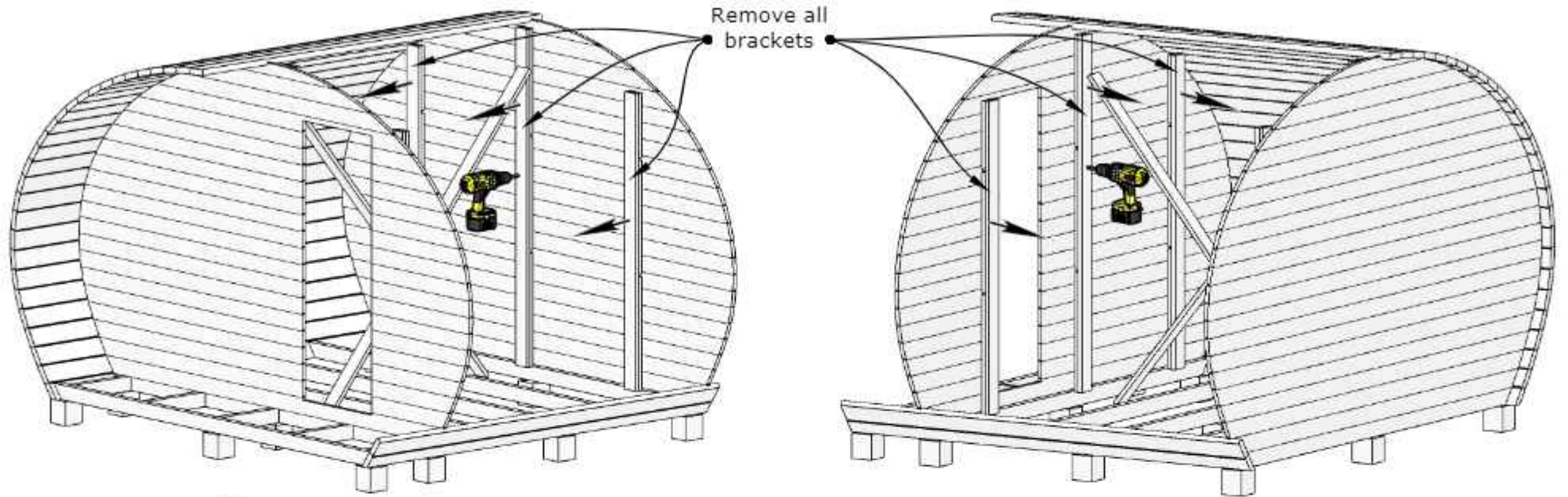
10

Step 7. Remove screws and measure door

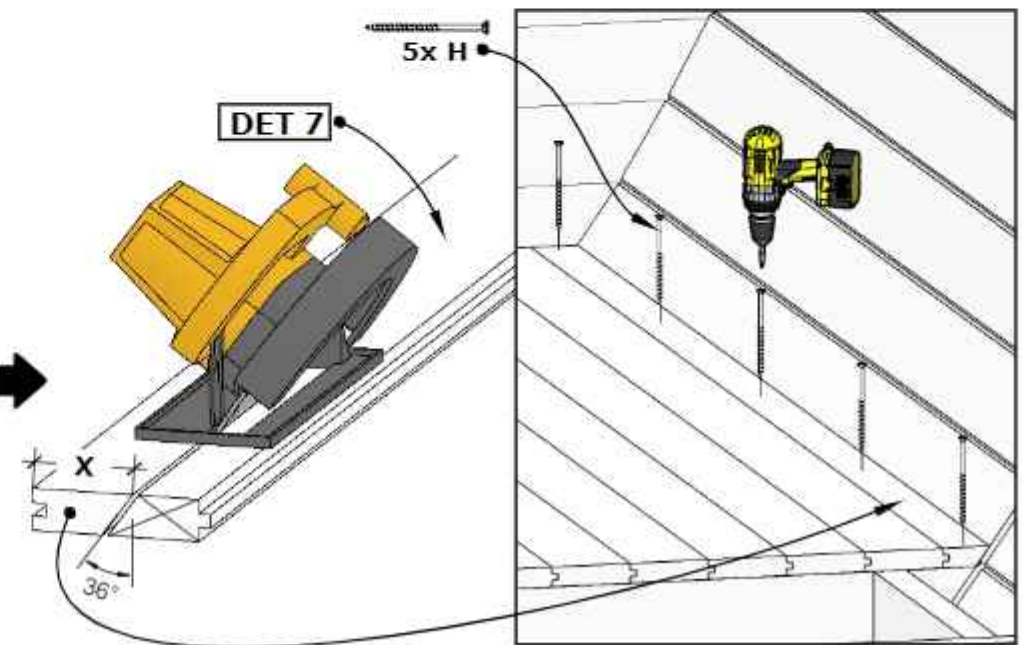
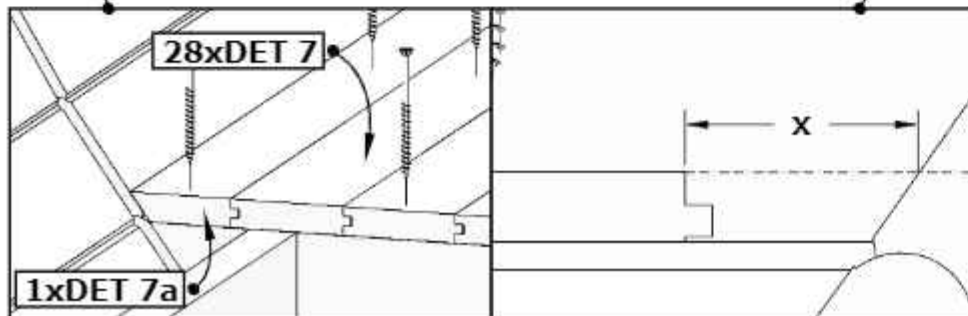
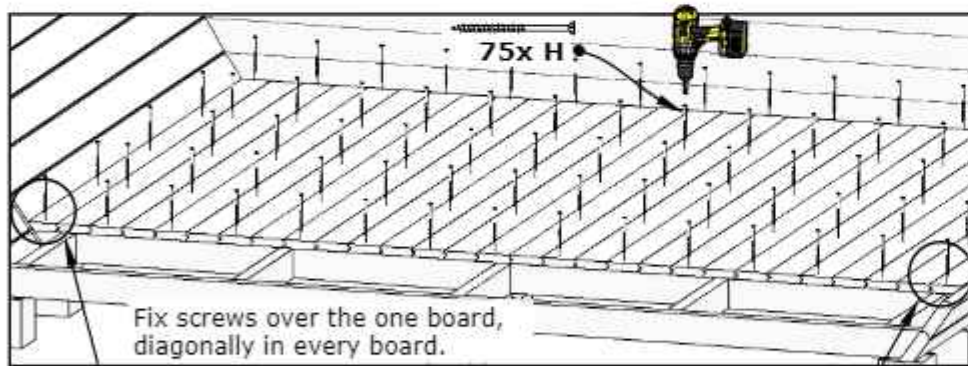
⚠ If Your sauna is from thermowood, leave the screws where they are. Other wood such as spruce will require screw removal to tighten the bands.



Step 8. Remove brackets; add screws



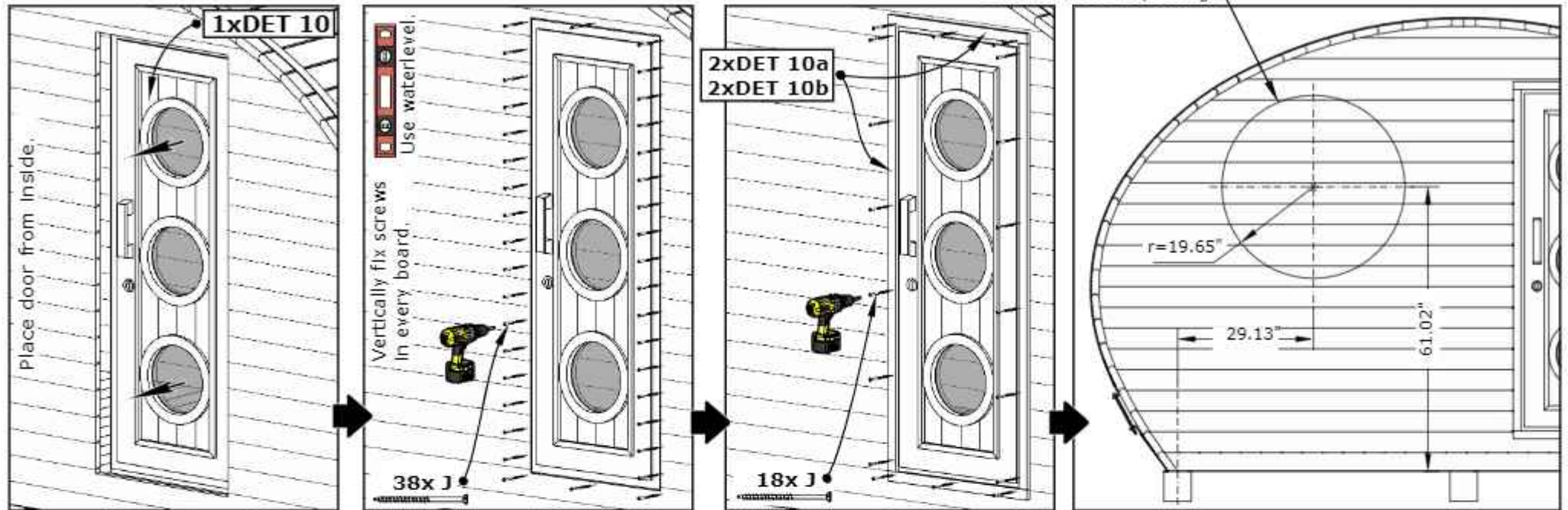
I



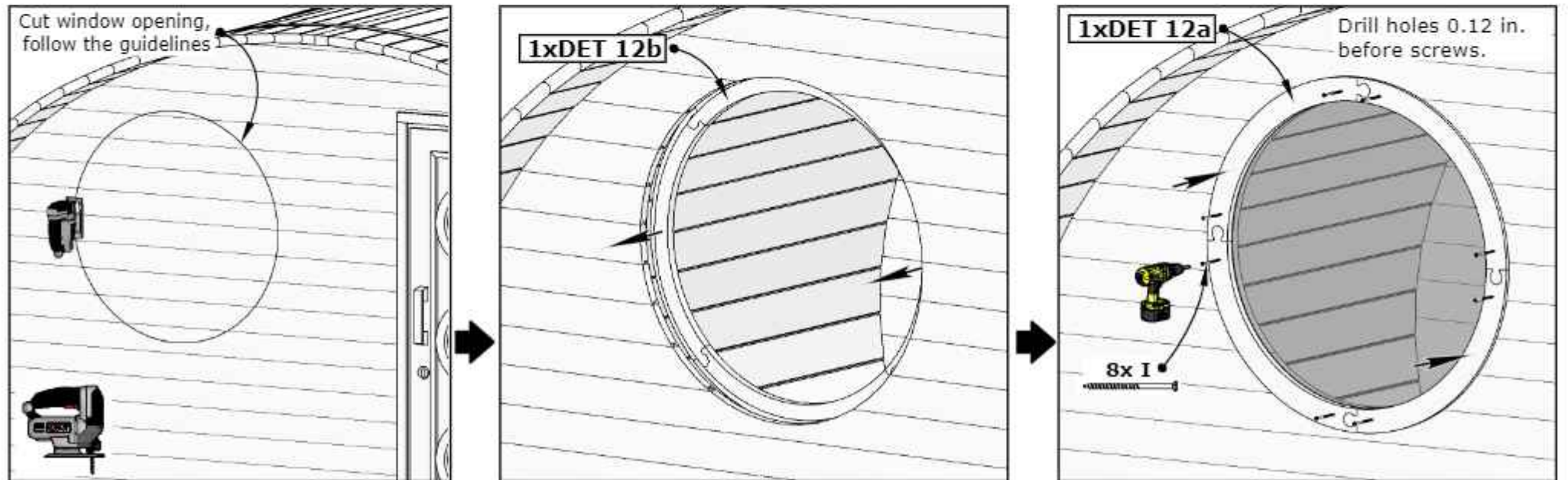
8. II

Step 9. Door Installation

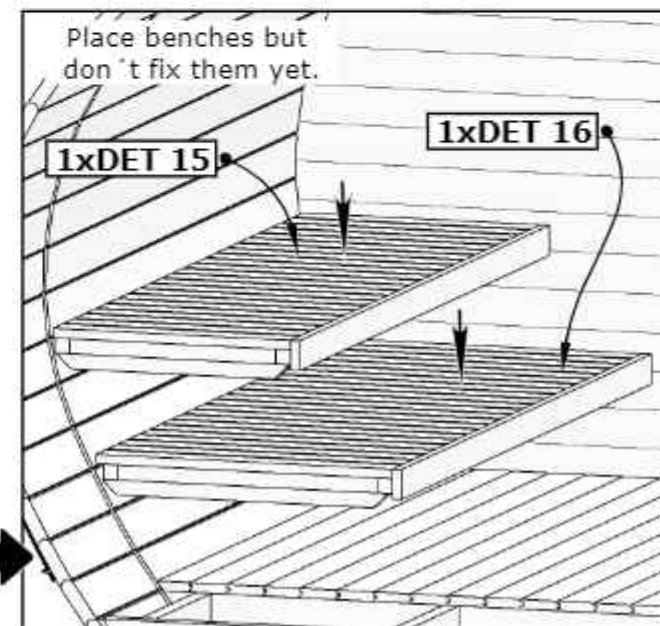
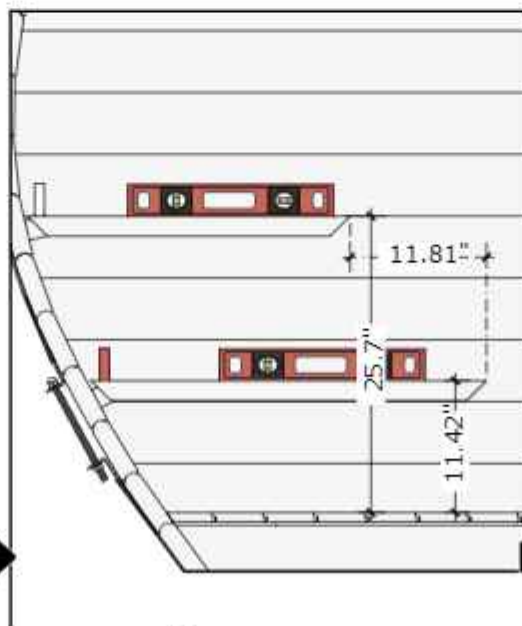
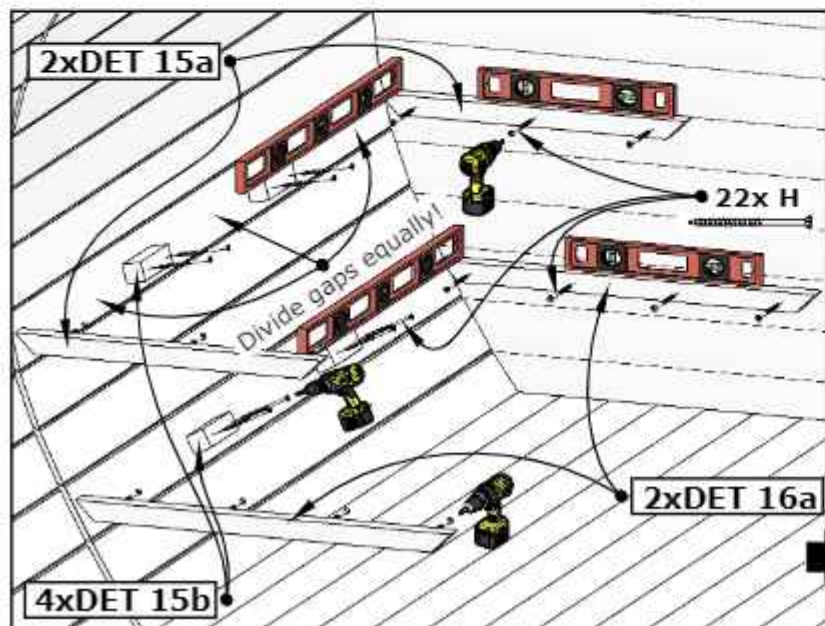
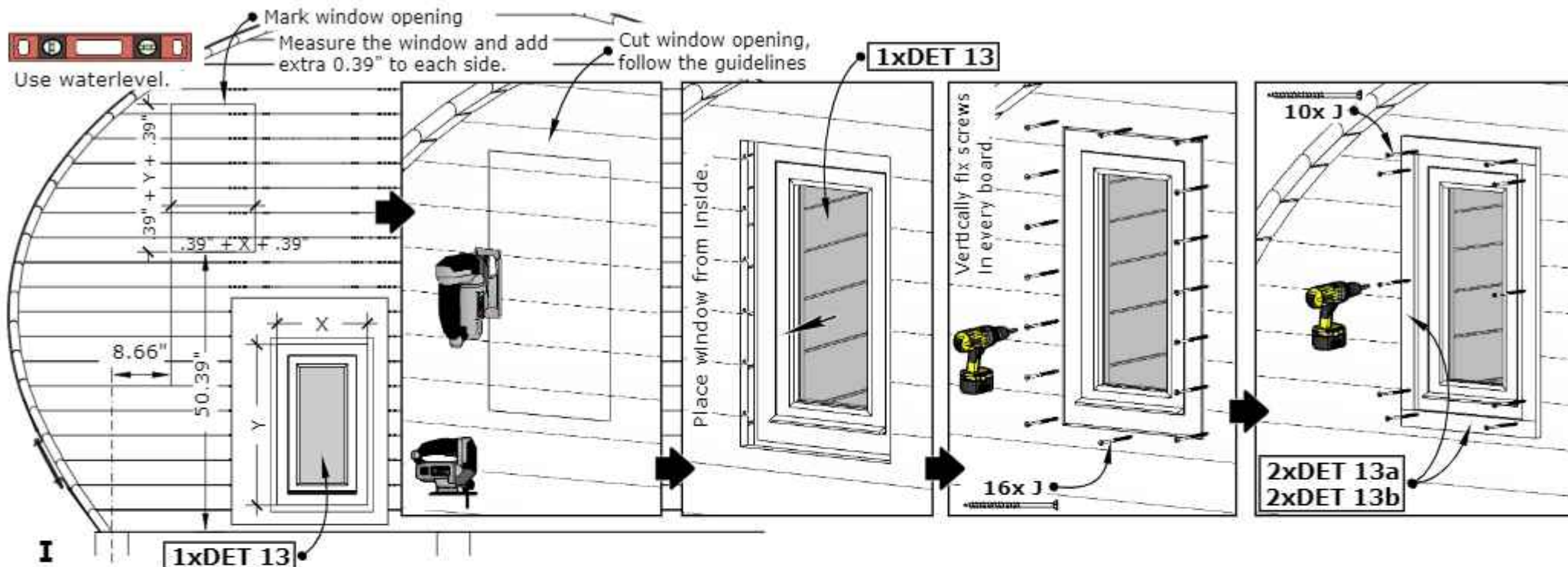
Place doors from inside the G11 sauna unit. Vertically fix screws in each board and outer frame to match the diagrams below.



I

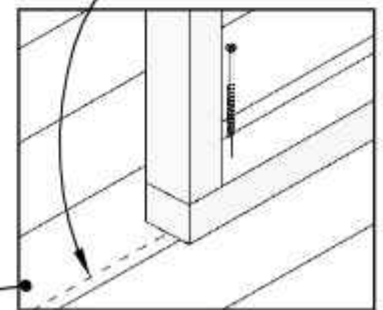
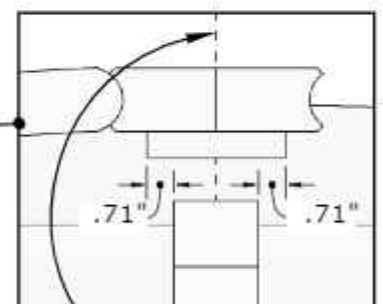
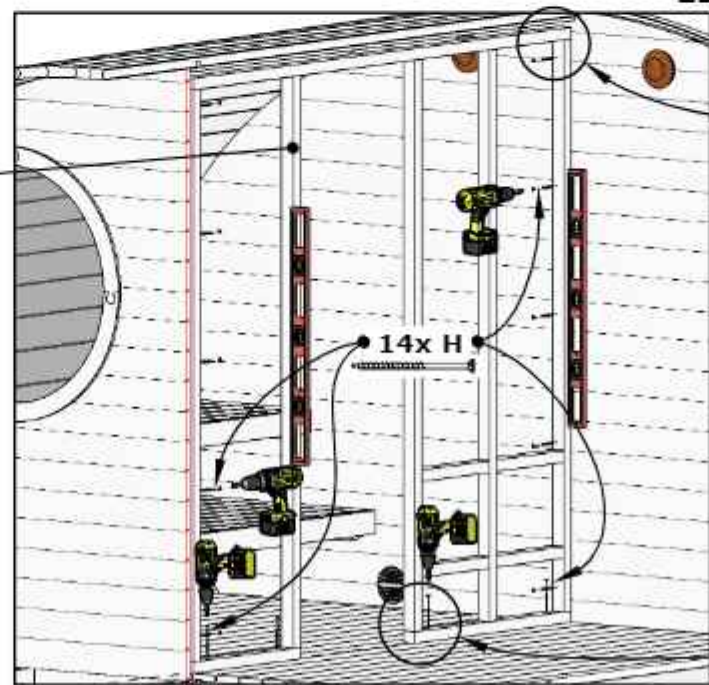
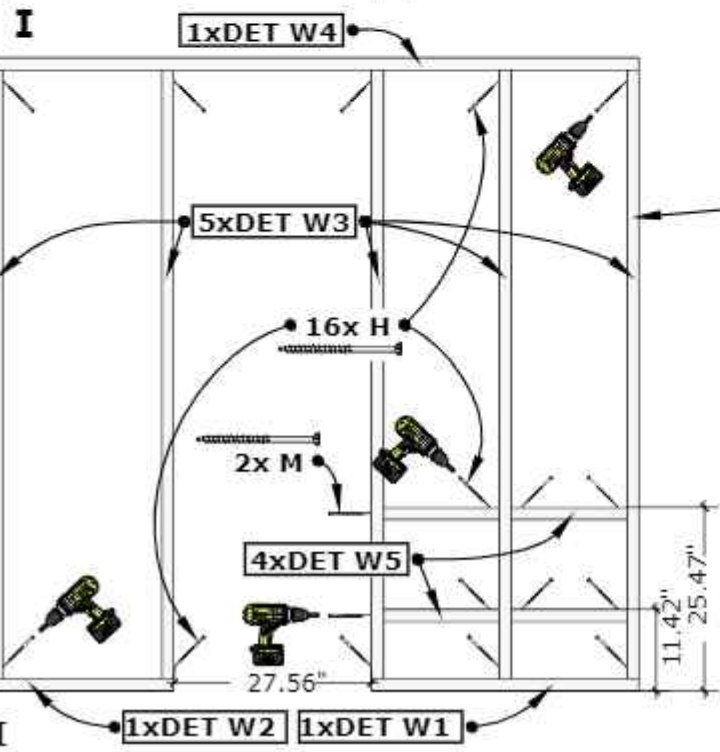
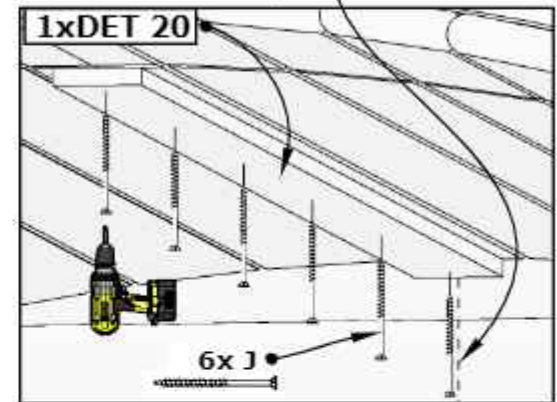
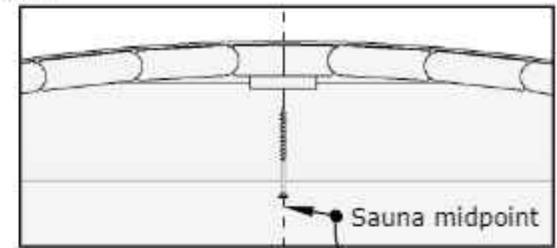
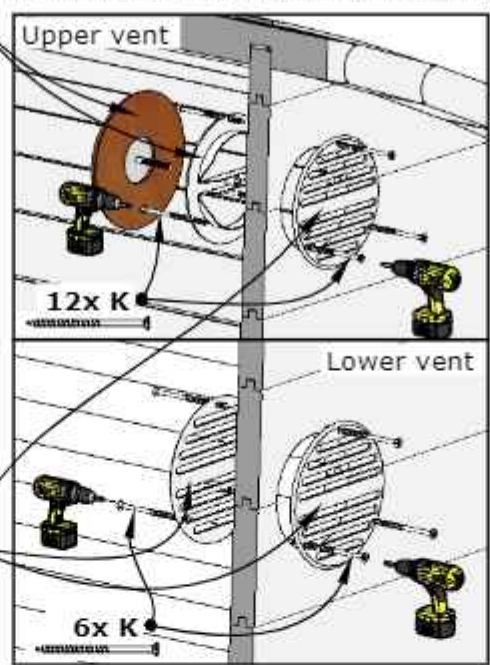
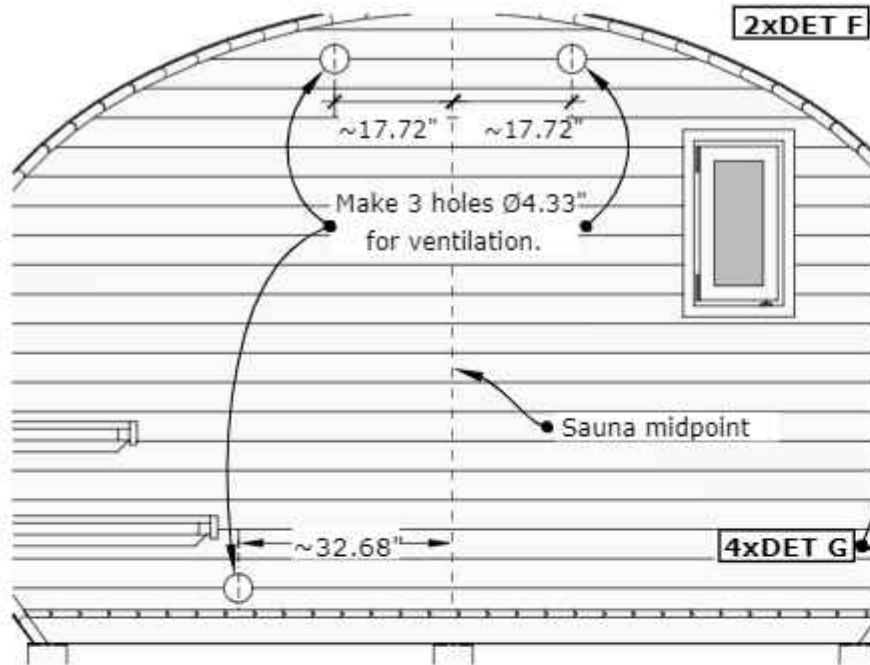


Step 10. Window and Bench placement

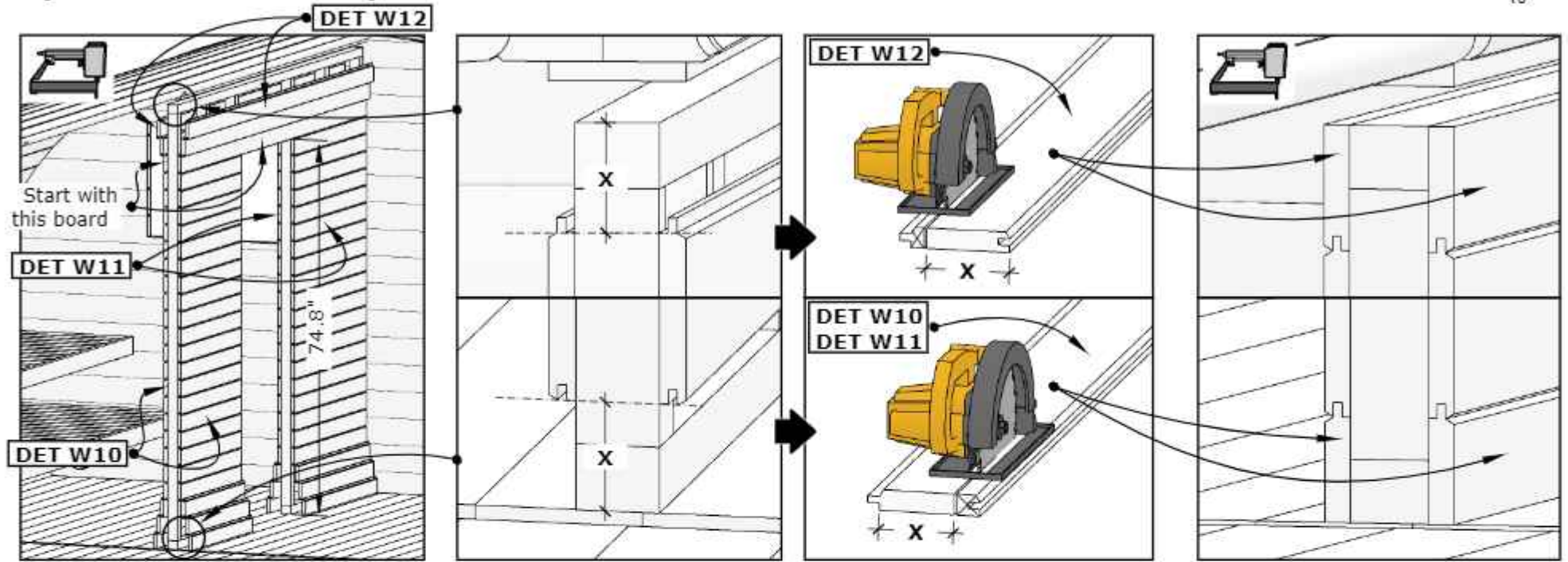


Step 11. Vent & Foundational placements

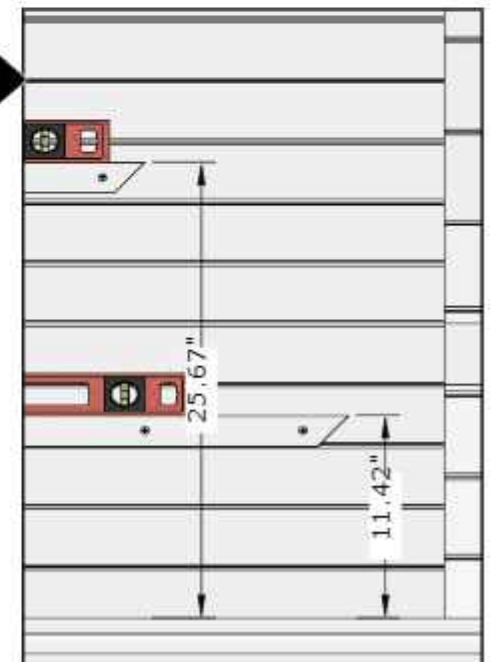
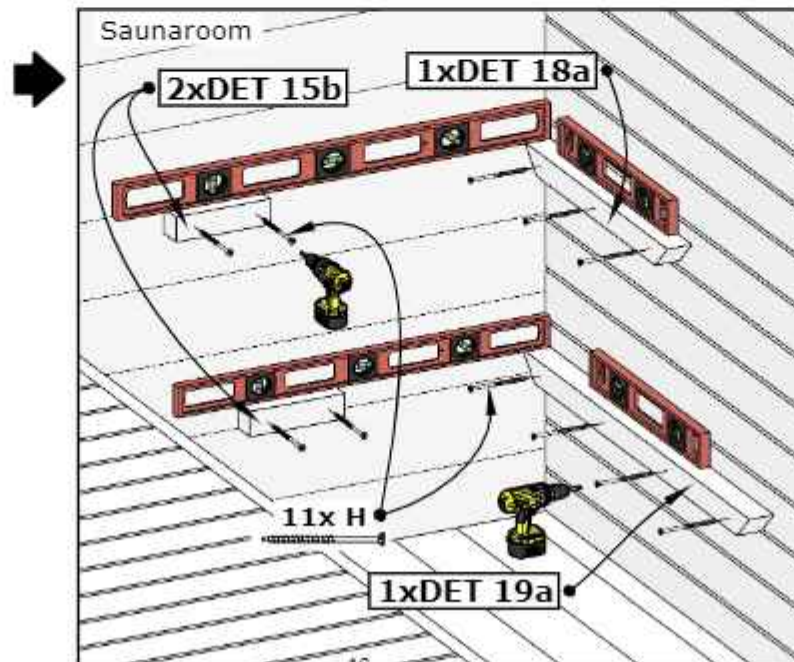
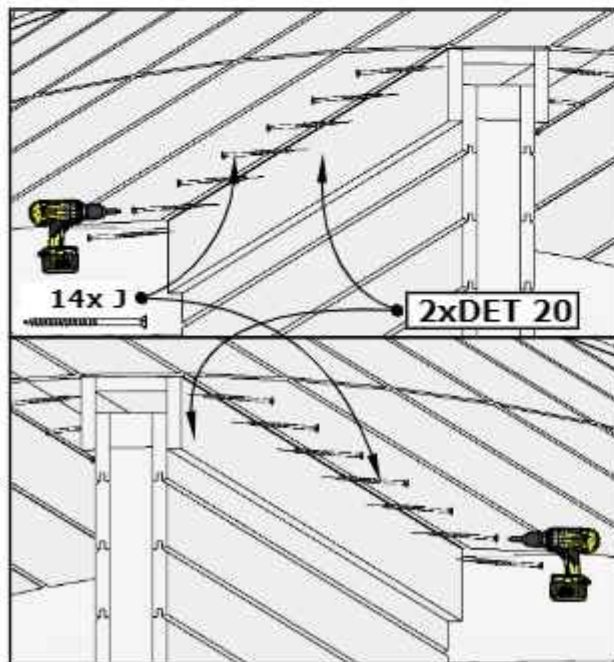
Match the correct vents to their height placement in the sauna room. Add the foundational setting in to separate rooms.



Step 12. Stack doorway boards and level set benches



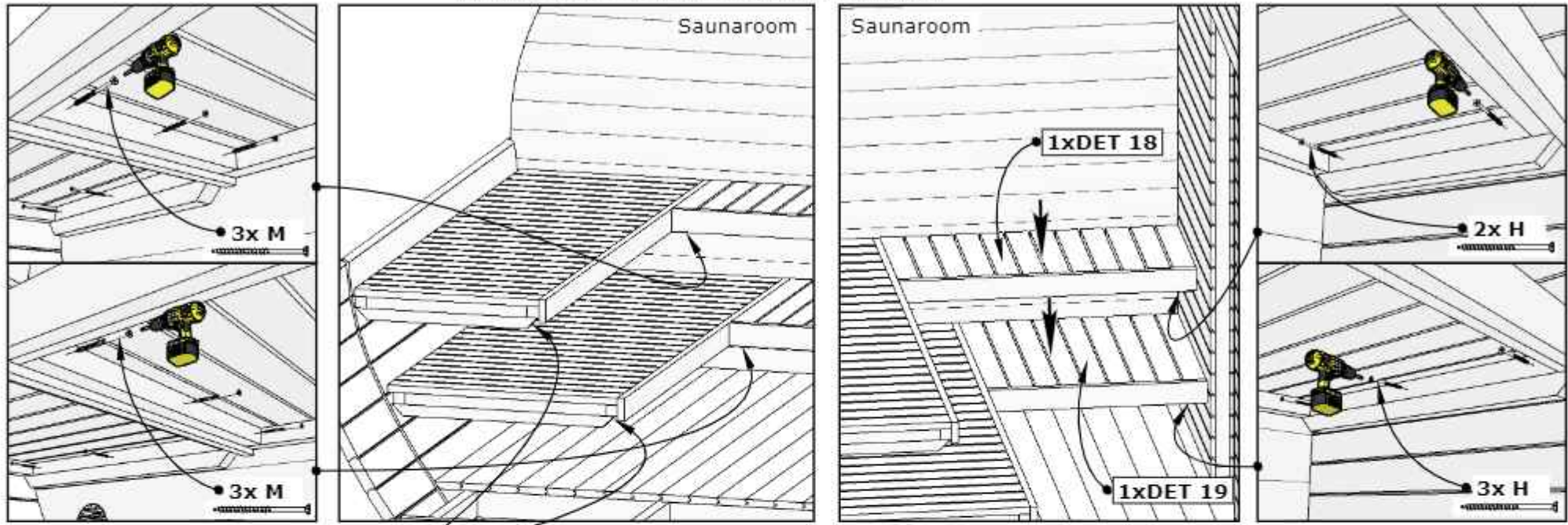
I



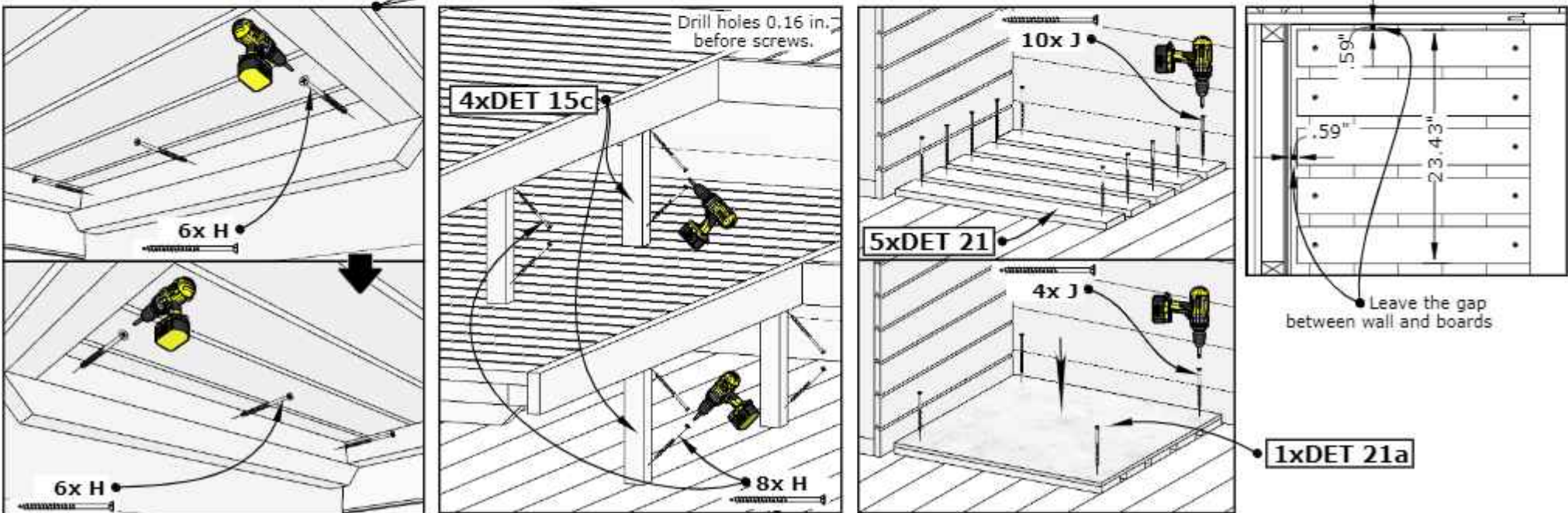
12. II

Step 13. Installing Benches

Pre-drilling for 0.16" holes guarantees proper screw placement.
Match the screws with the diagrams for bench completion.

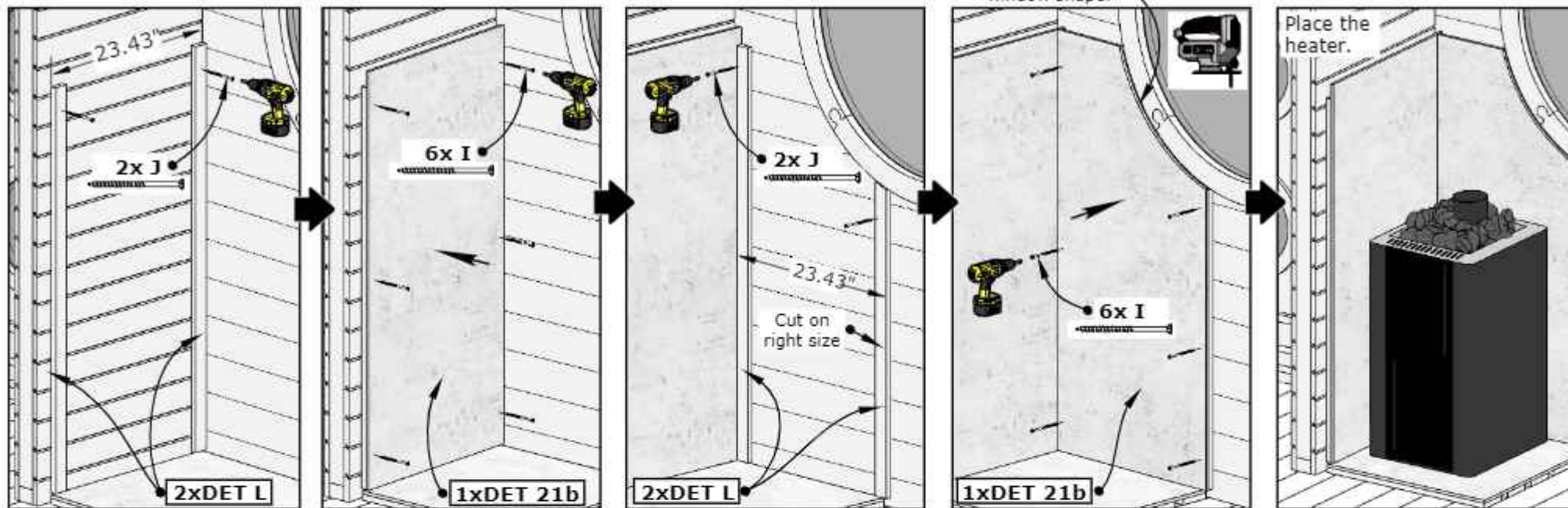


I

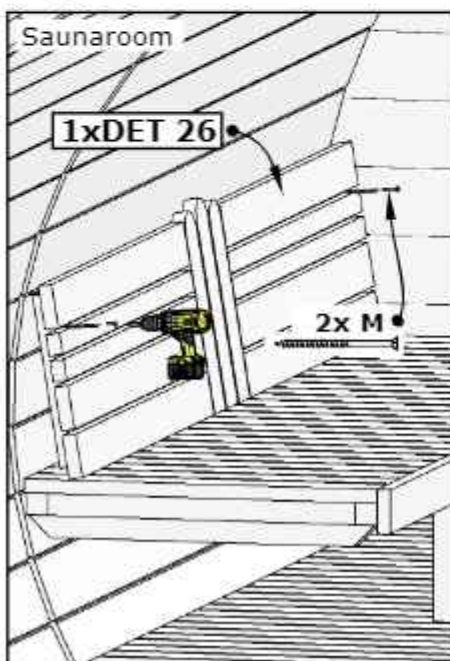


II

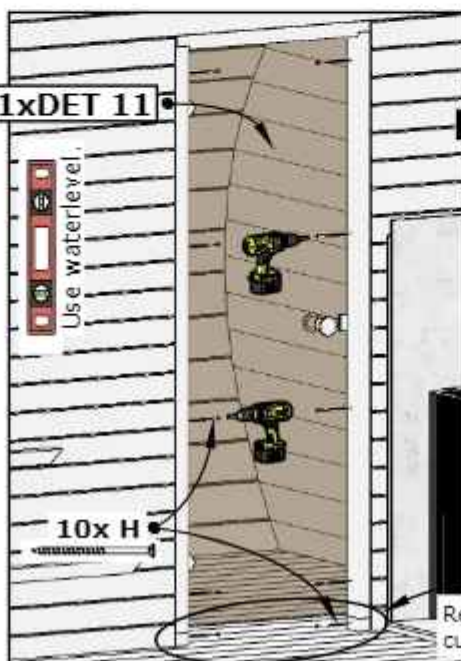
Step 14. Placing heater panels, heater, and final doors



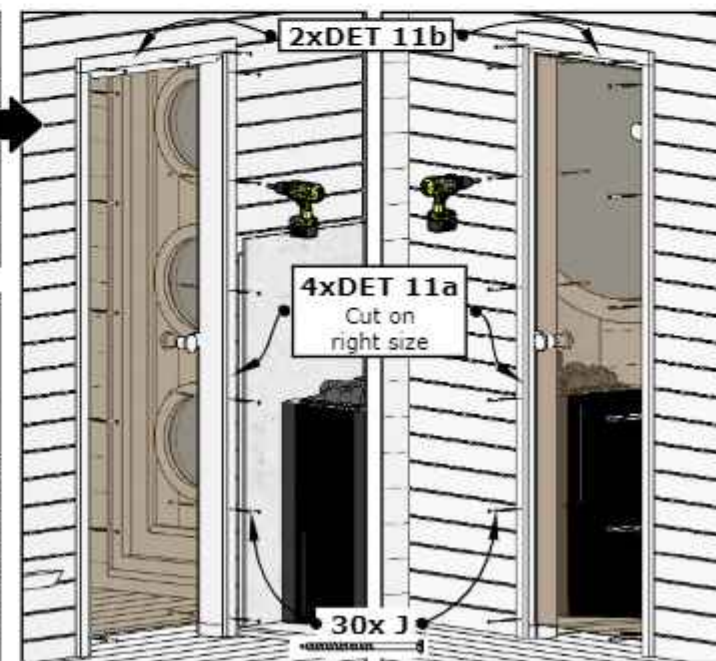
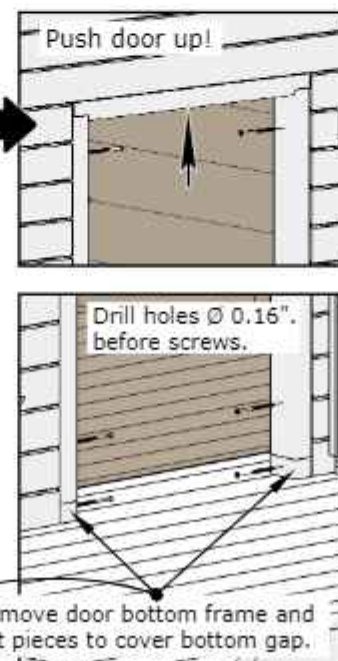
I



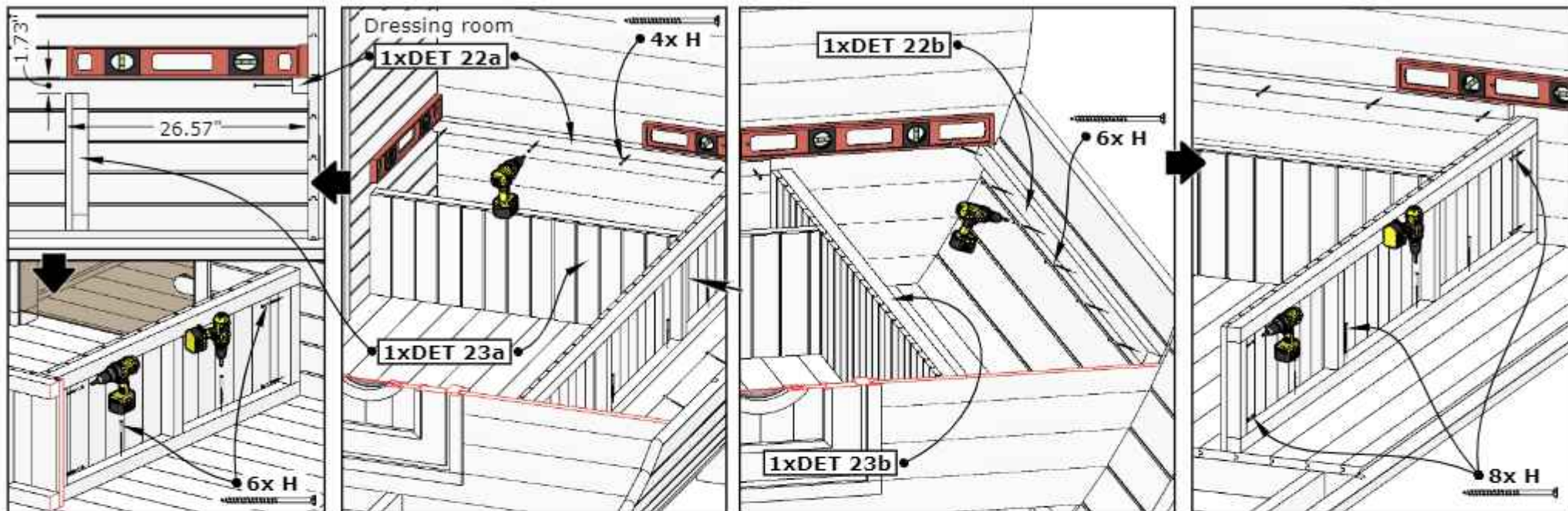
14. II



III

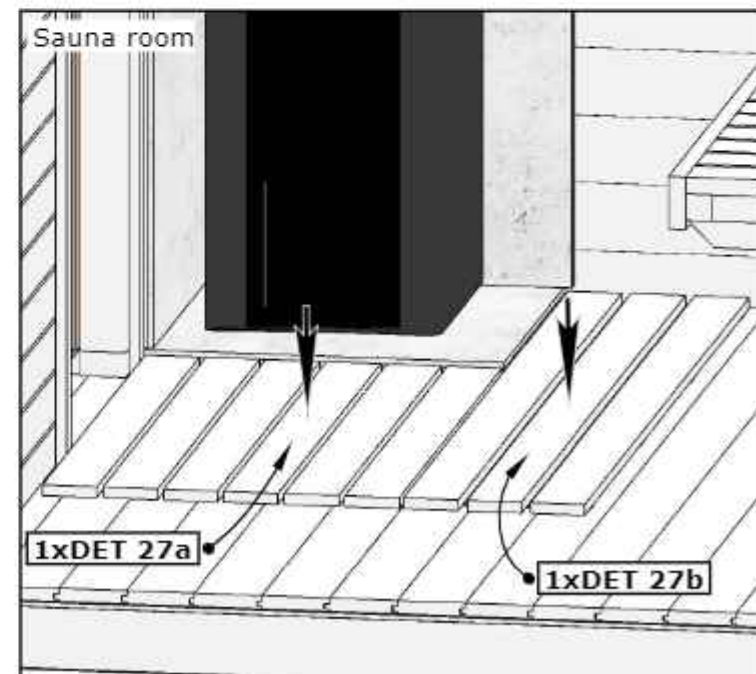
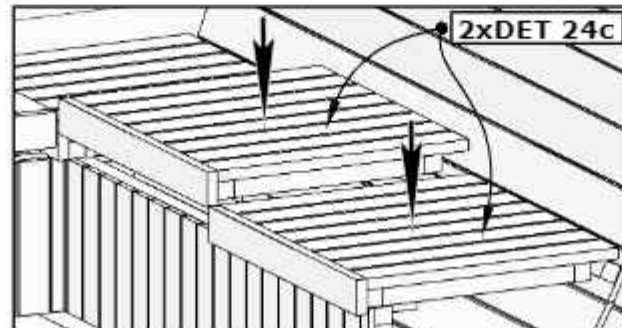
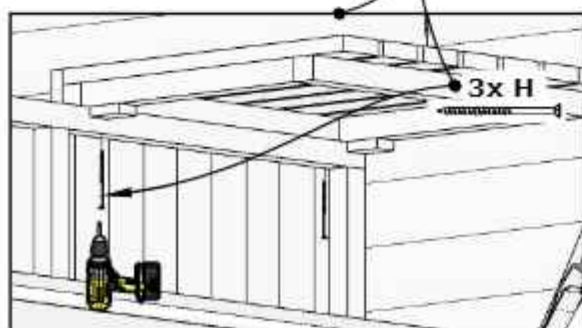
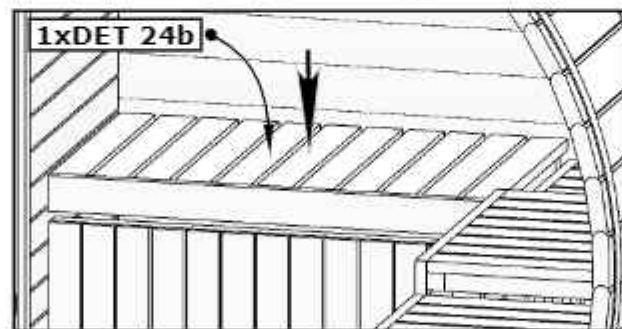
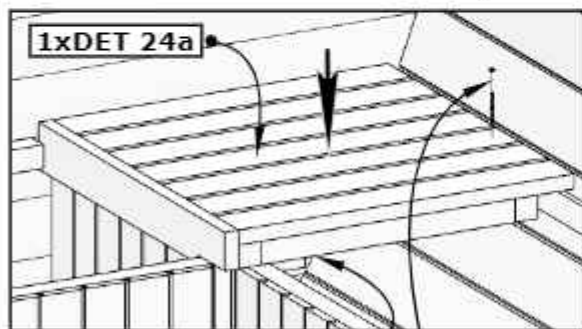


Step 15. Inner room finishing touches

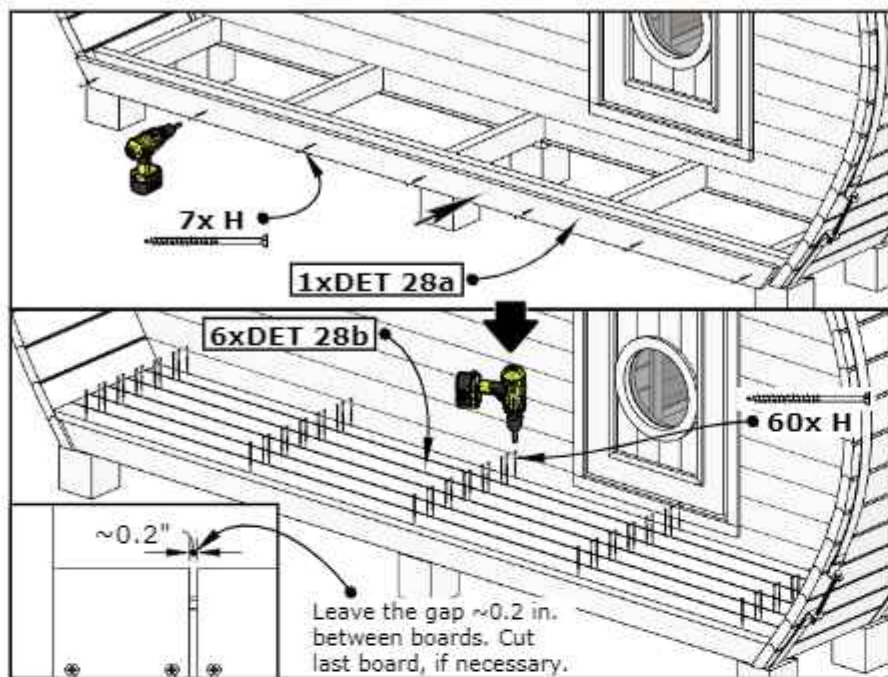


I

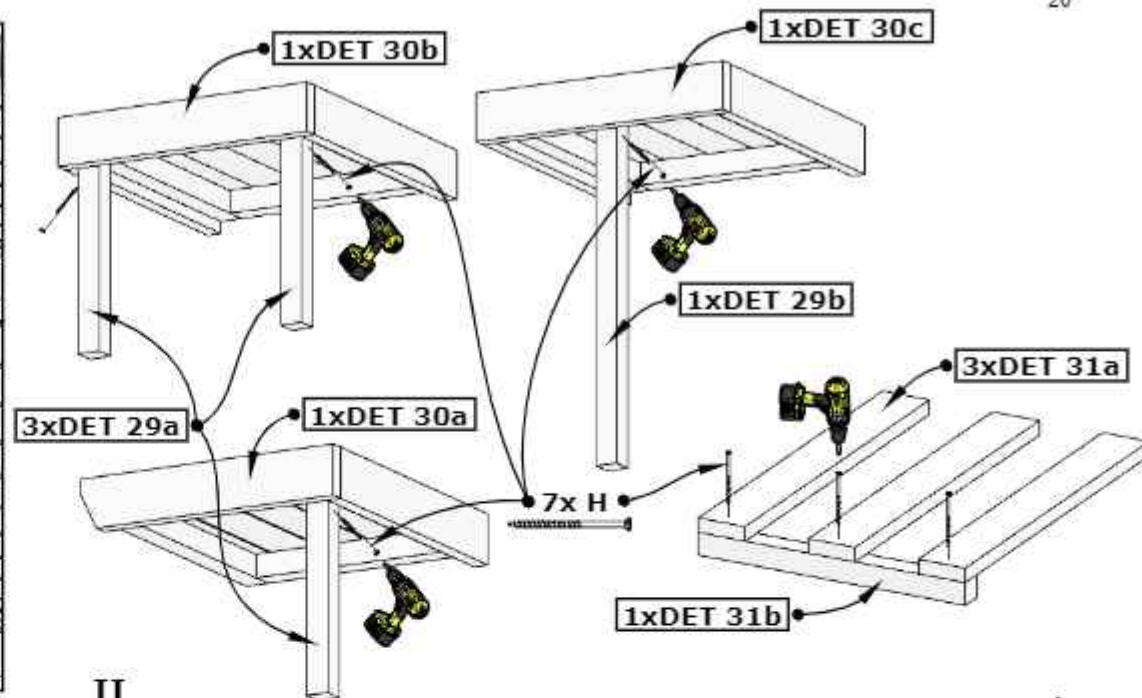
II



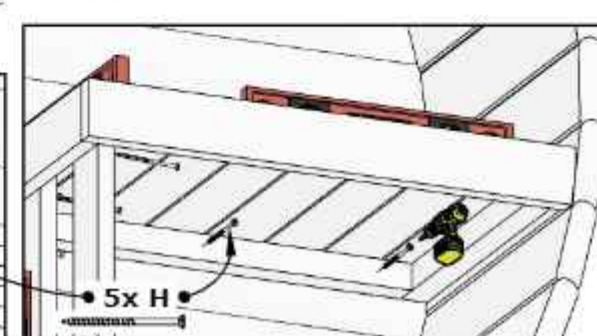
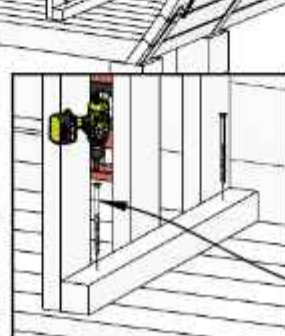
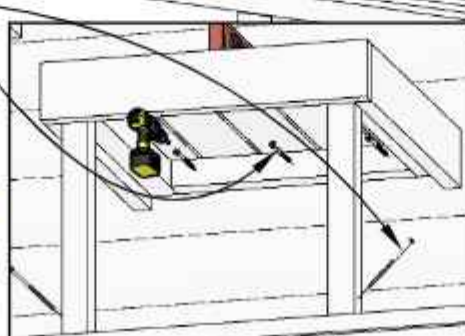
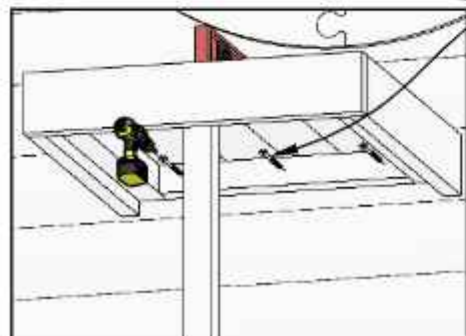
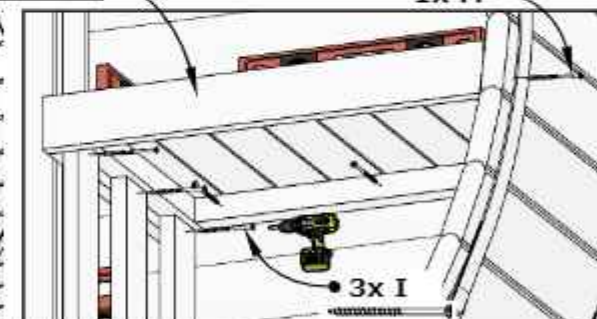
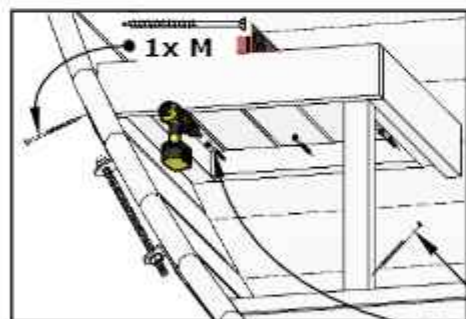
Step 16. Front porch assembly



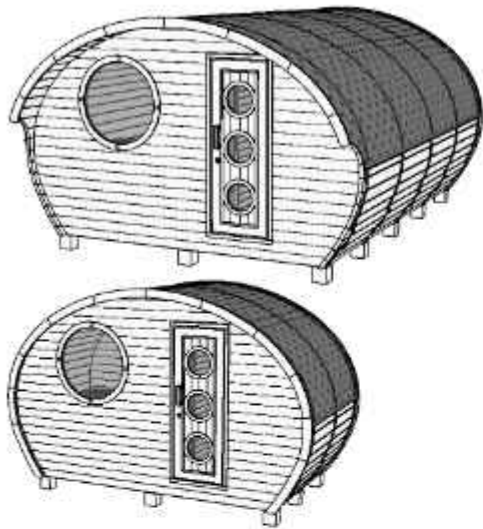
I



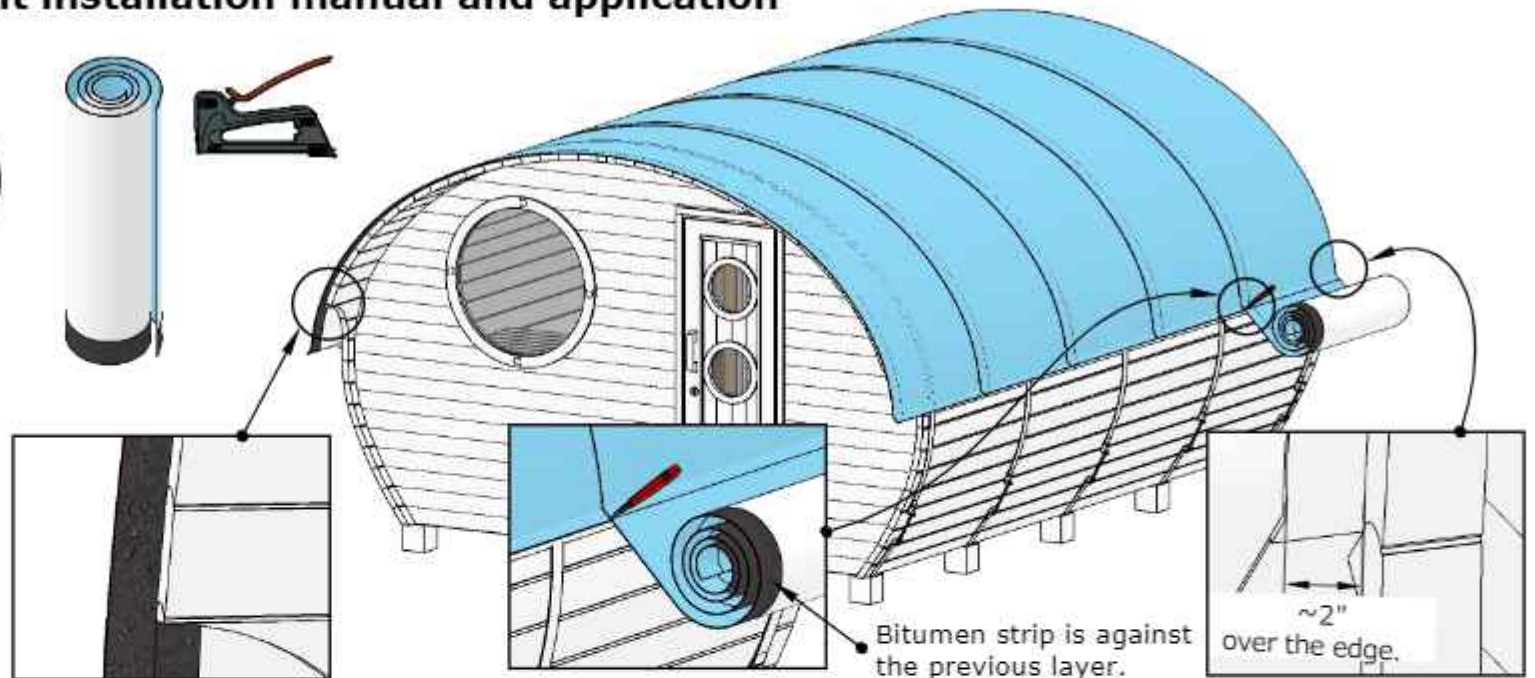
II



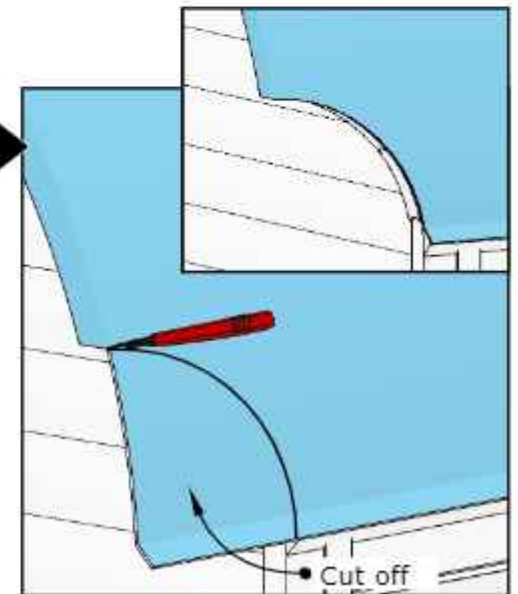
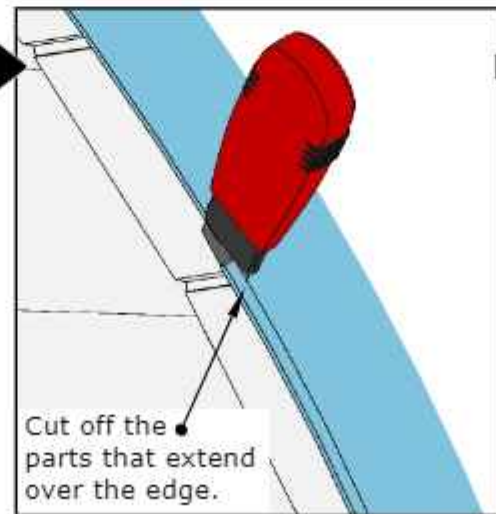
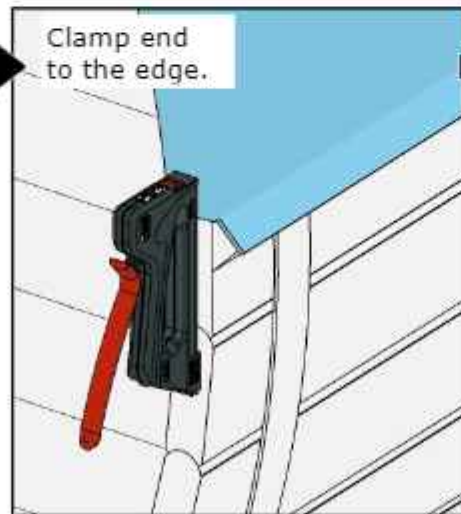
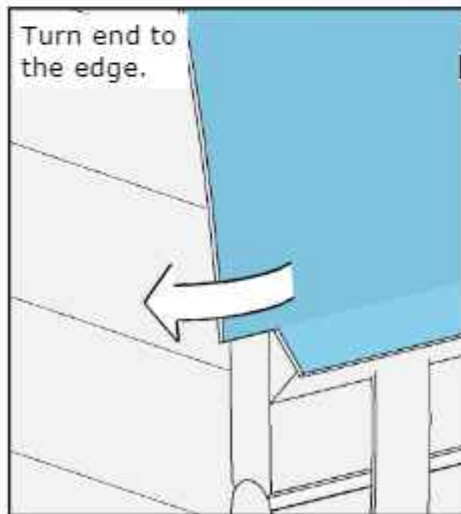
Step 16.5 Underlay felt installation manual and application



Check also underlay installation manual inside the package!



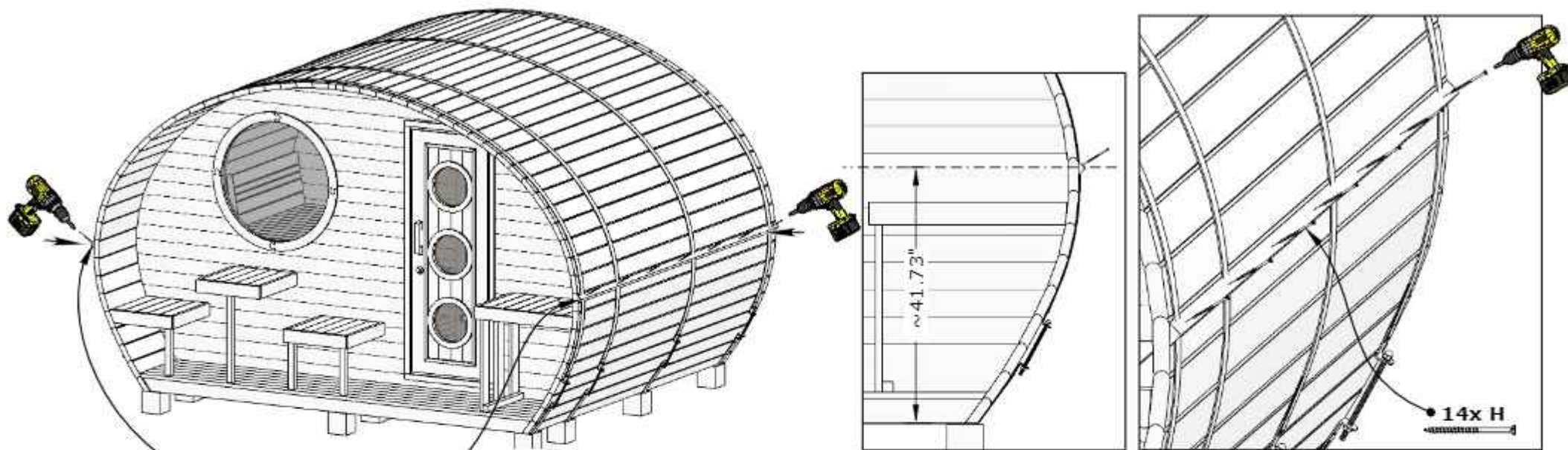
leave ~2" over the edge.



Step 17. Roof and Shingles application

Install underlay felt. Use a hammer to install flatbed nails and use a drill on the sides.

22



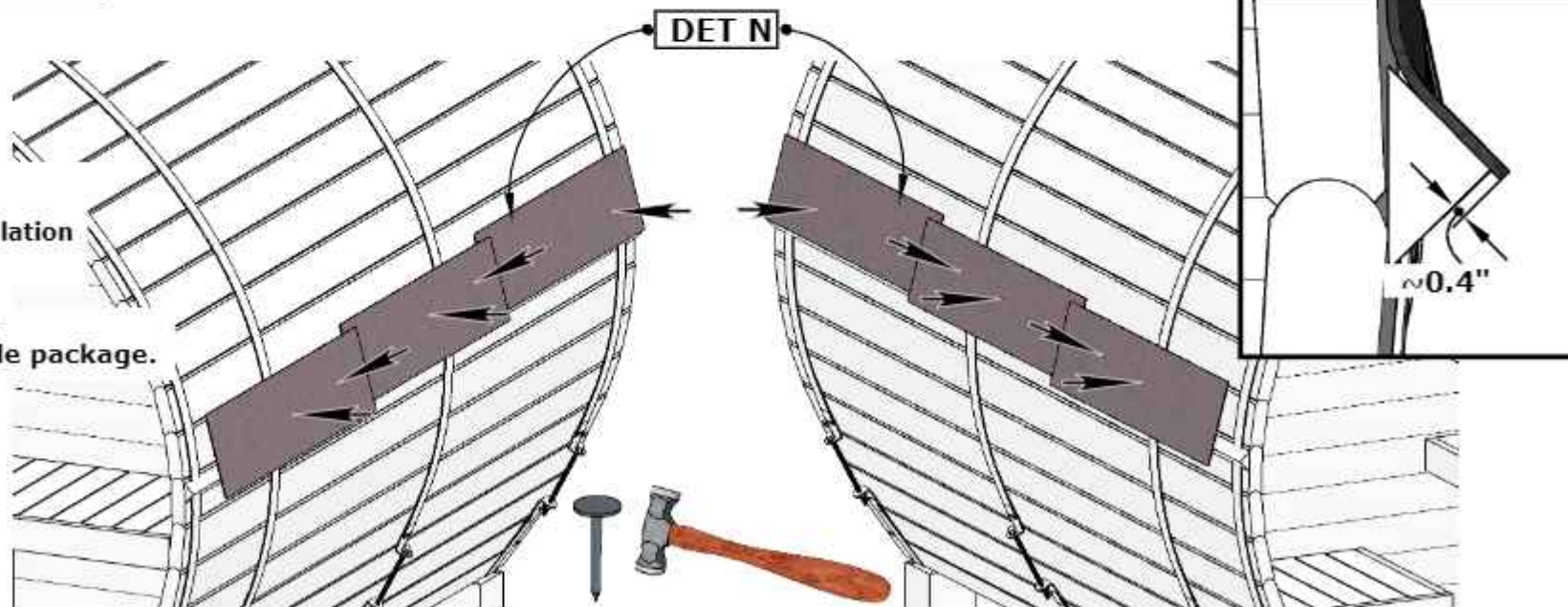
I

2xDET 32



NB! Before roof shingles, install underlay felt. Check underlay felt installation manual on extra pages.

Check also roof shingles installation manual inside package.

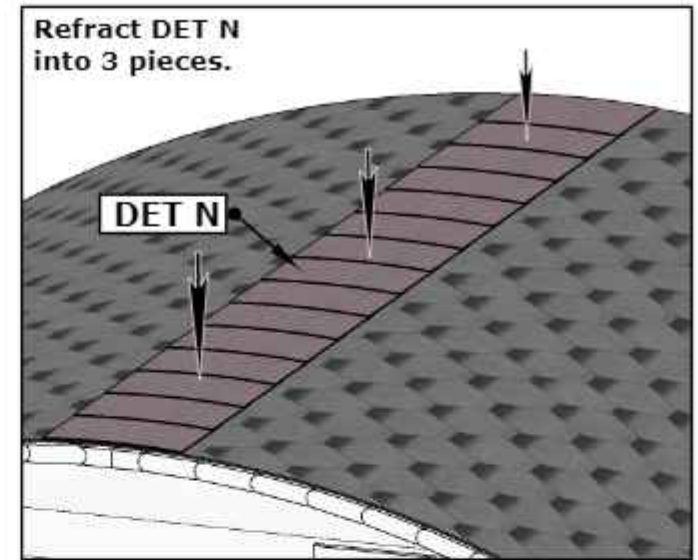
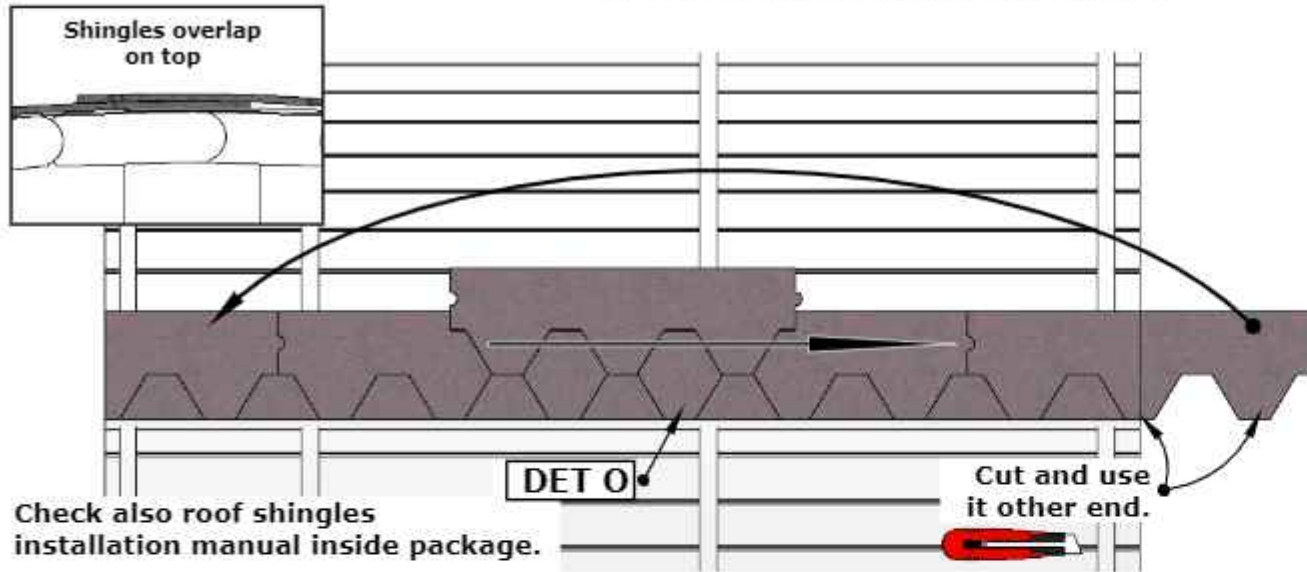


II

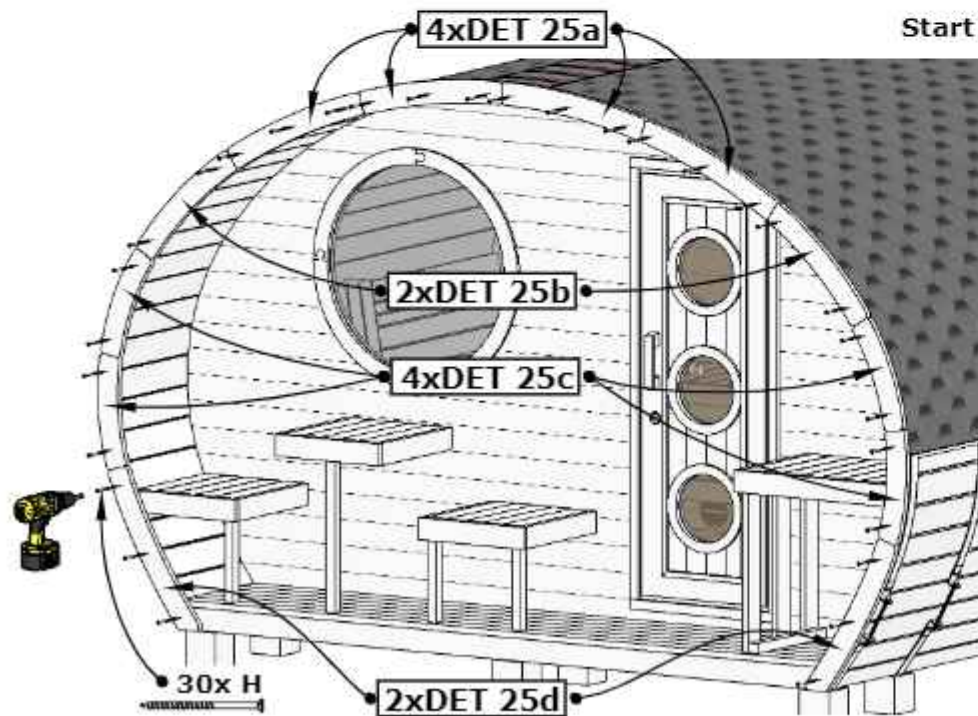
22

Step 18. Finishing touches

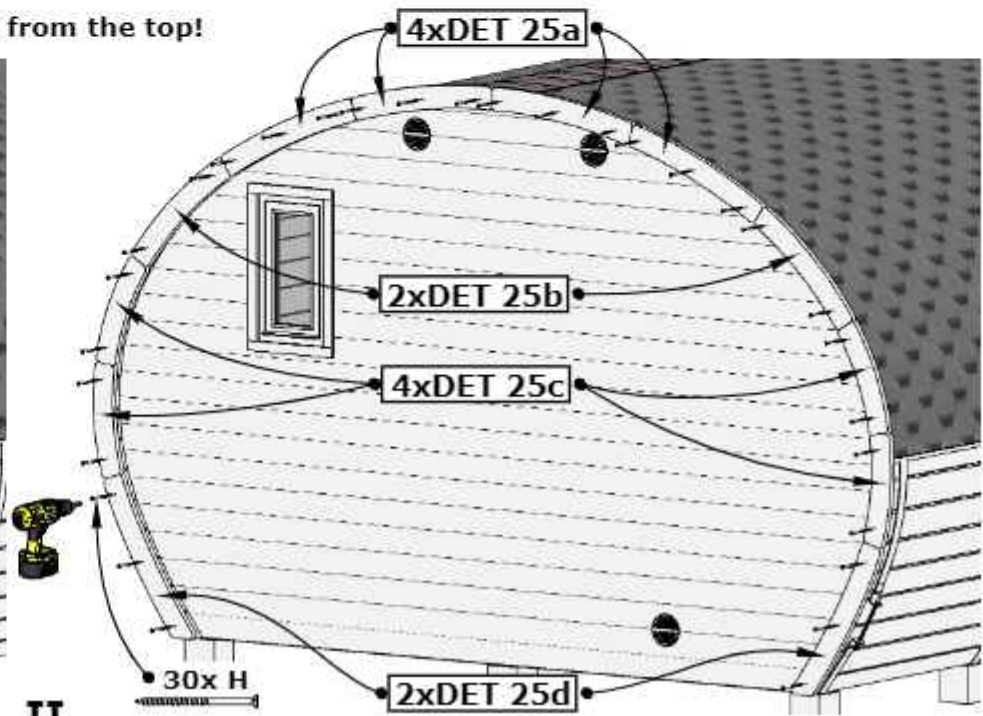
Cut shingles so as to use them on opposite sides. Start from the top, and expect your shingles to overlap for coverage.



I



Start from the top!



II