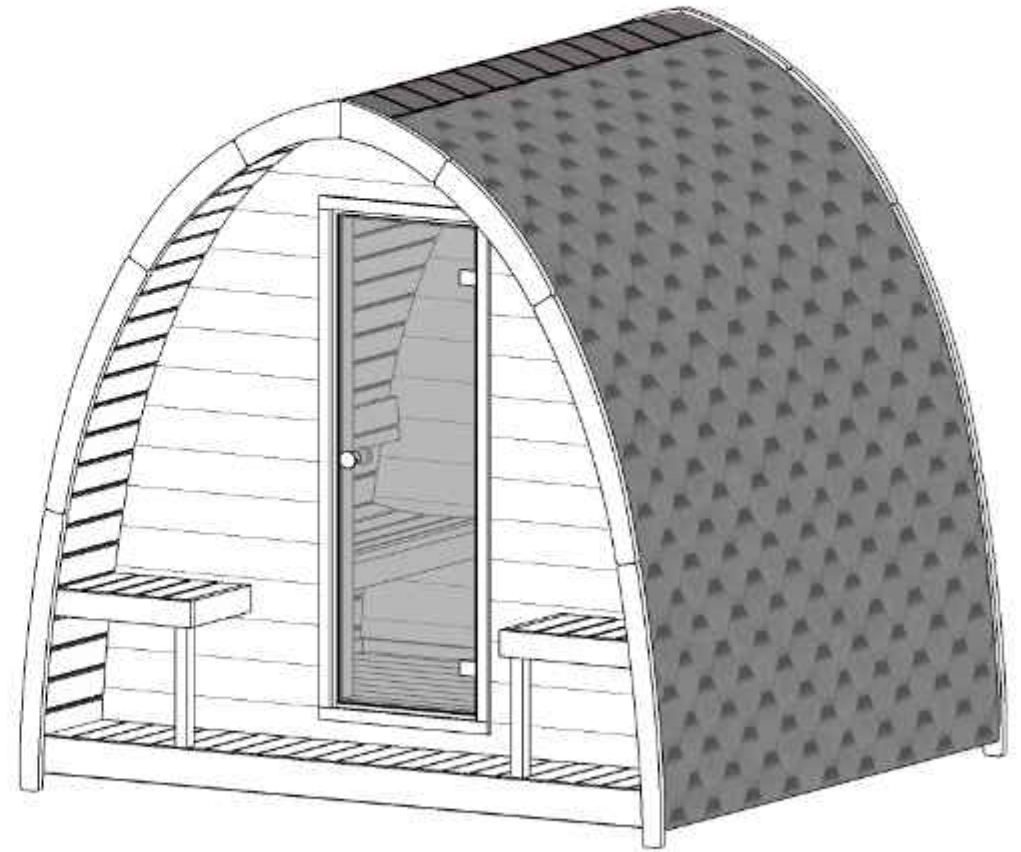
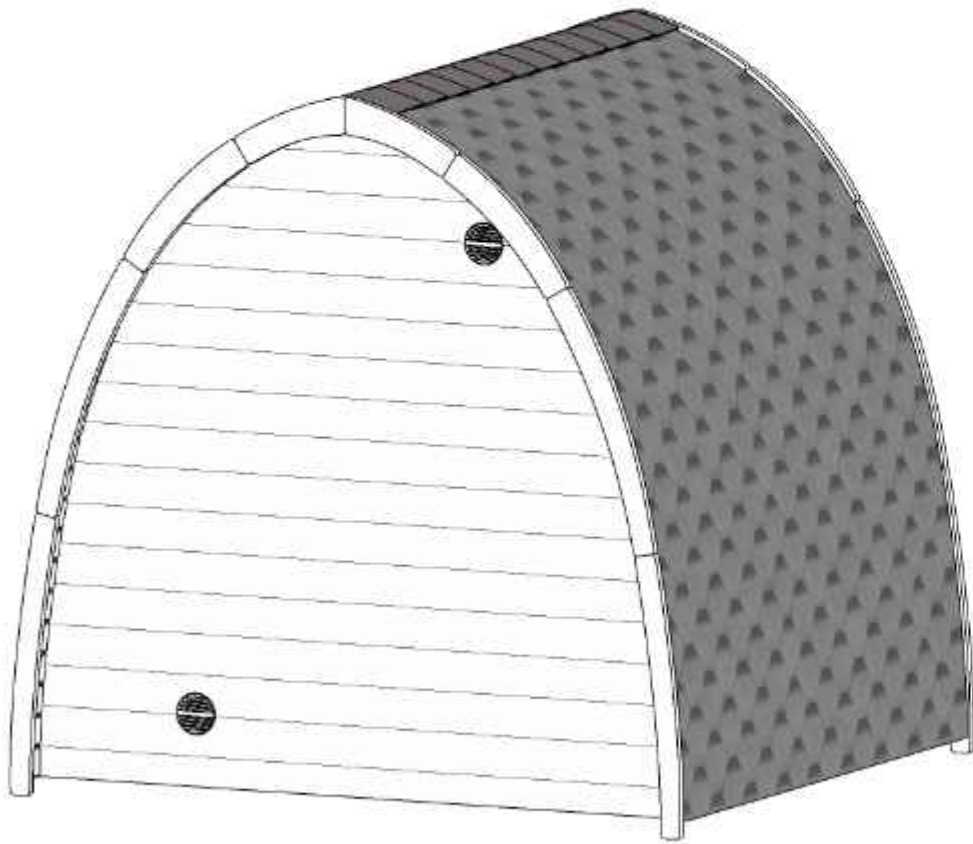


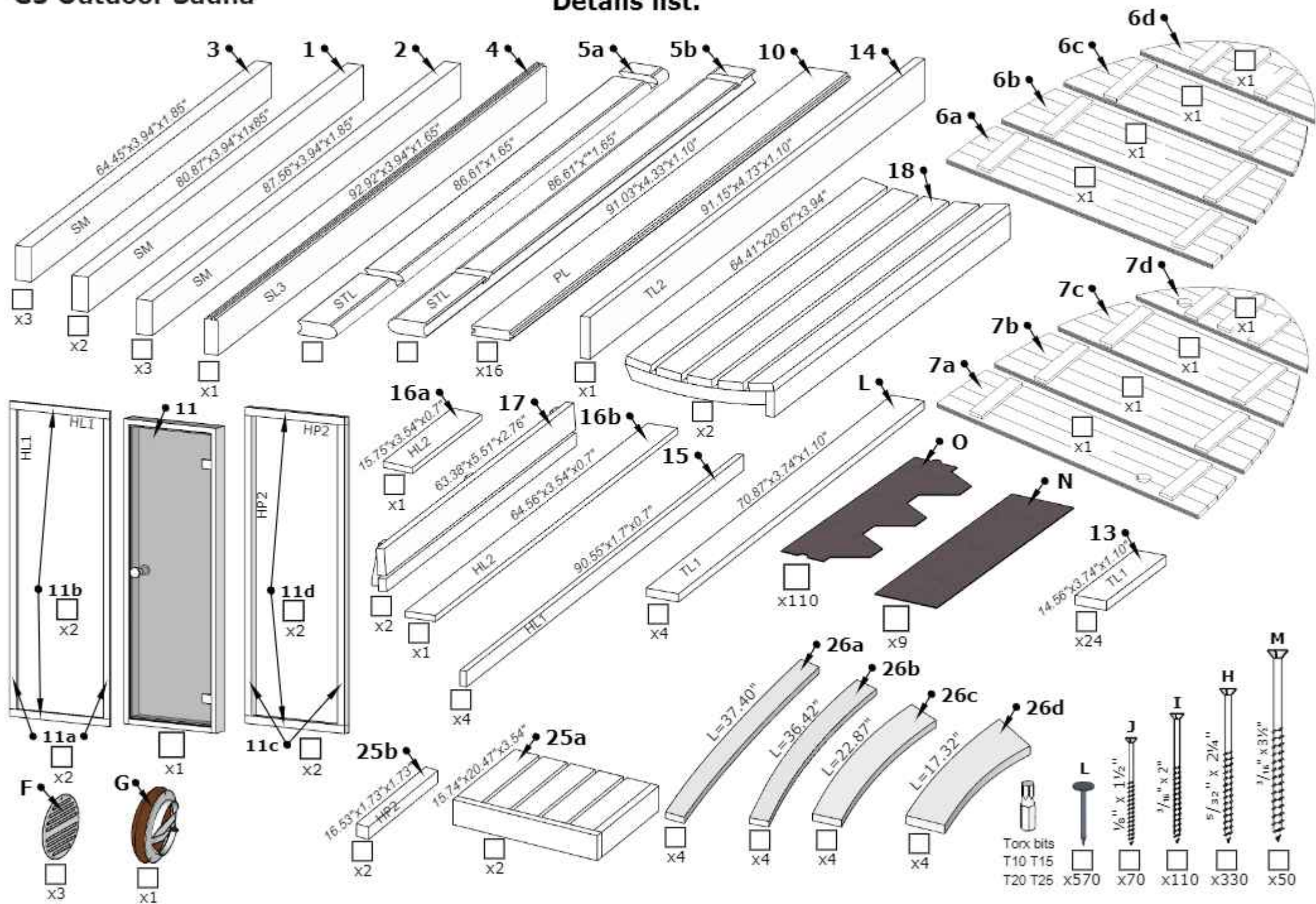


Garden-Series G3 Outdoor Sauna

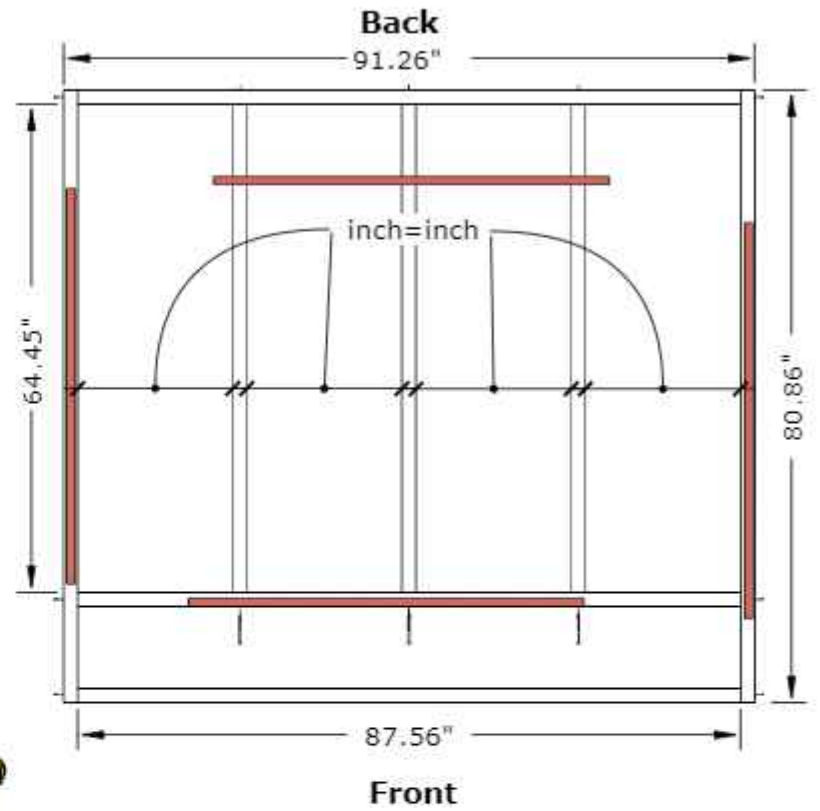
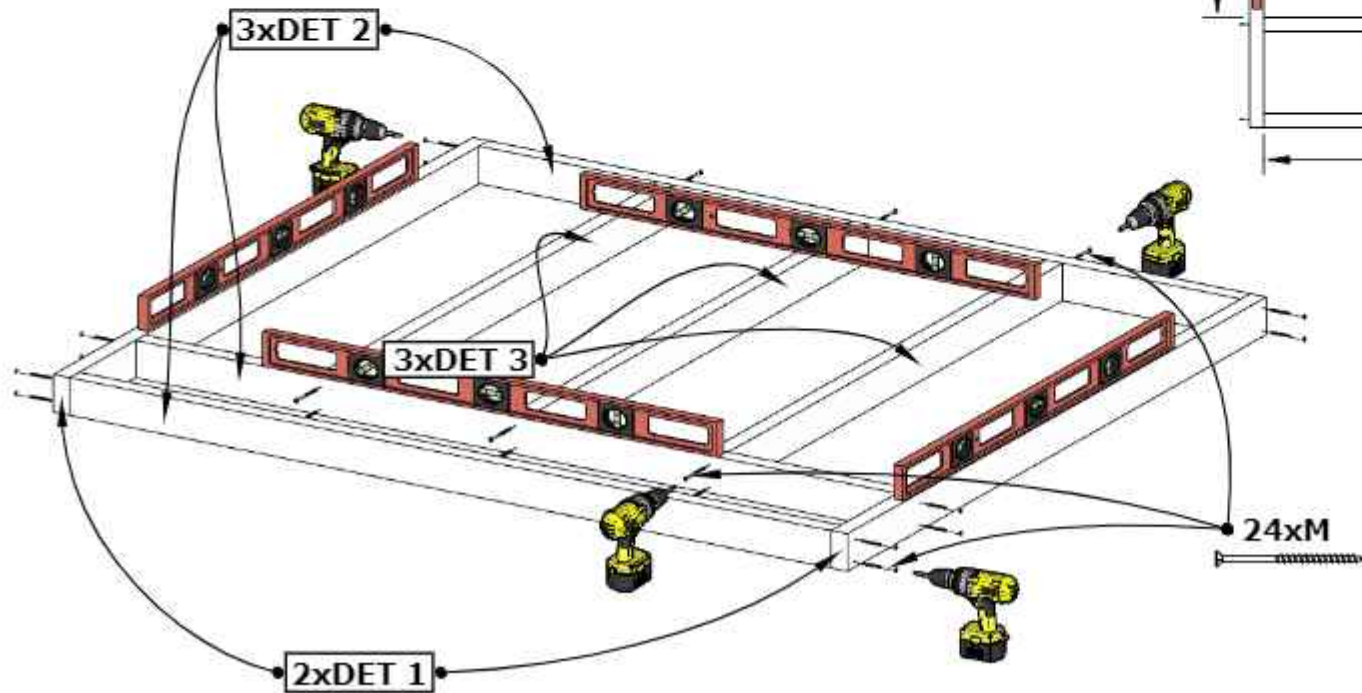


G3 Outdoor Sauna

Details list.



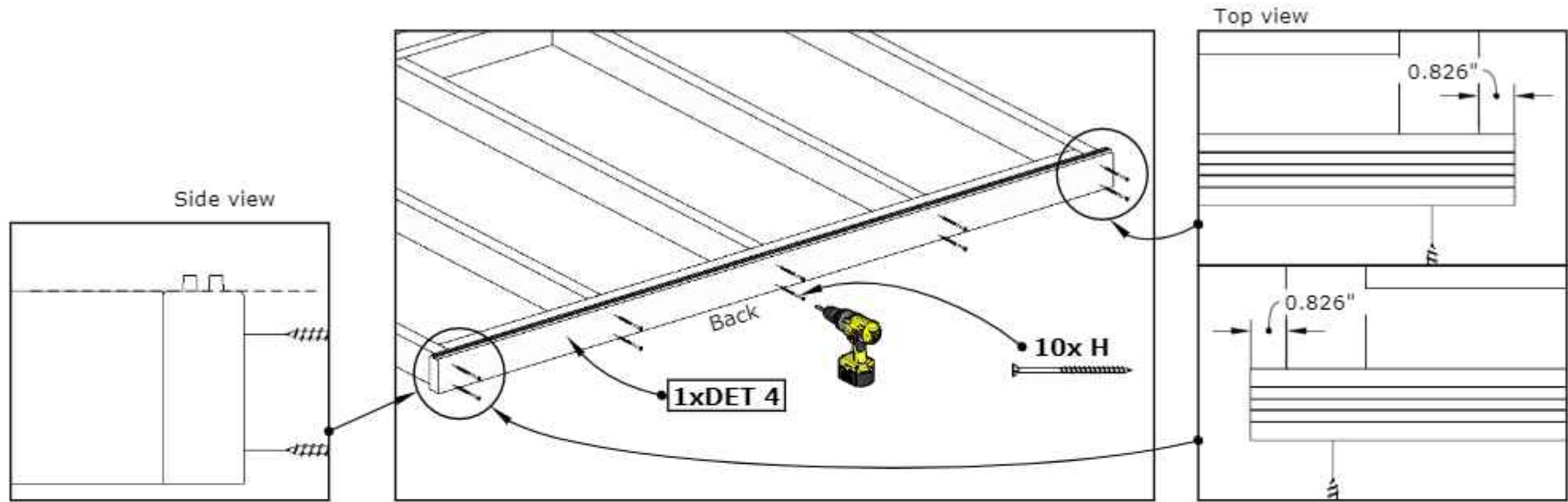
G3 Outdoor Sauna



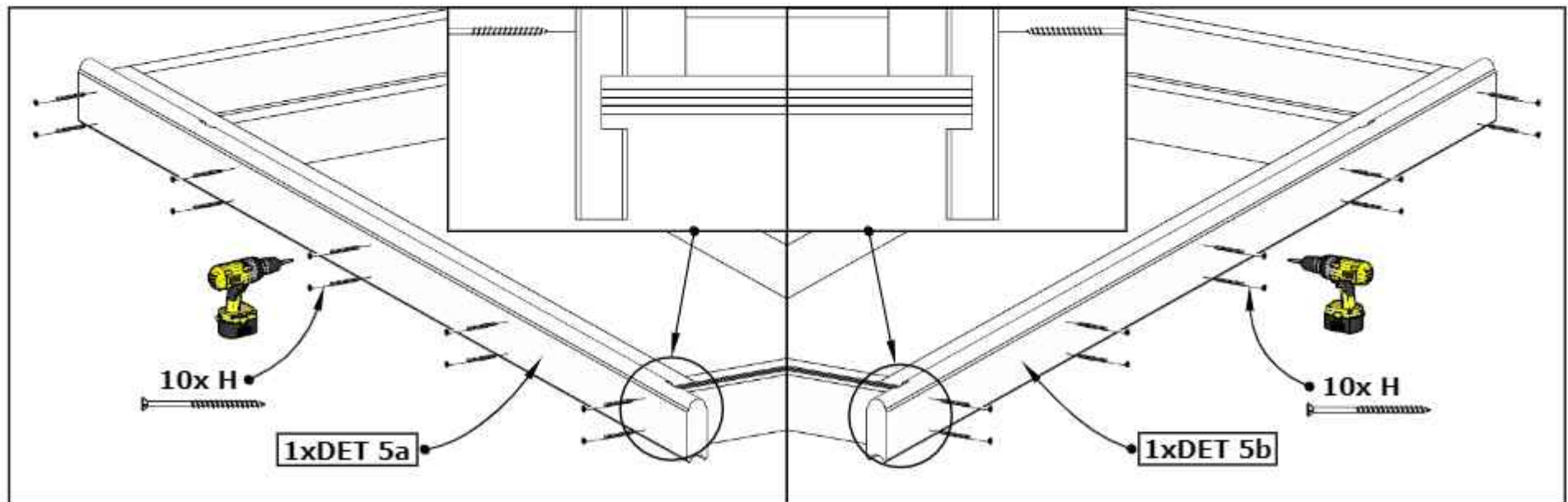
1.

I

G3 Outdoor Sauna



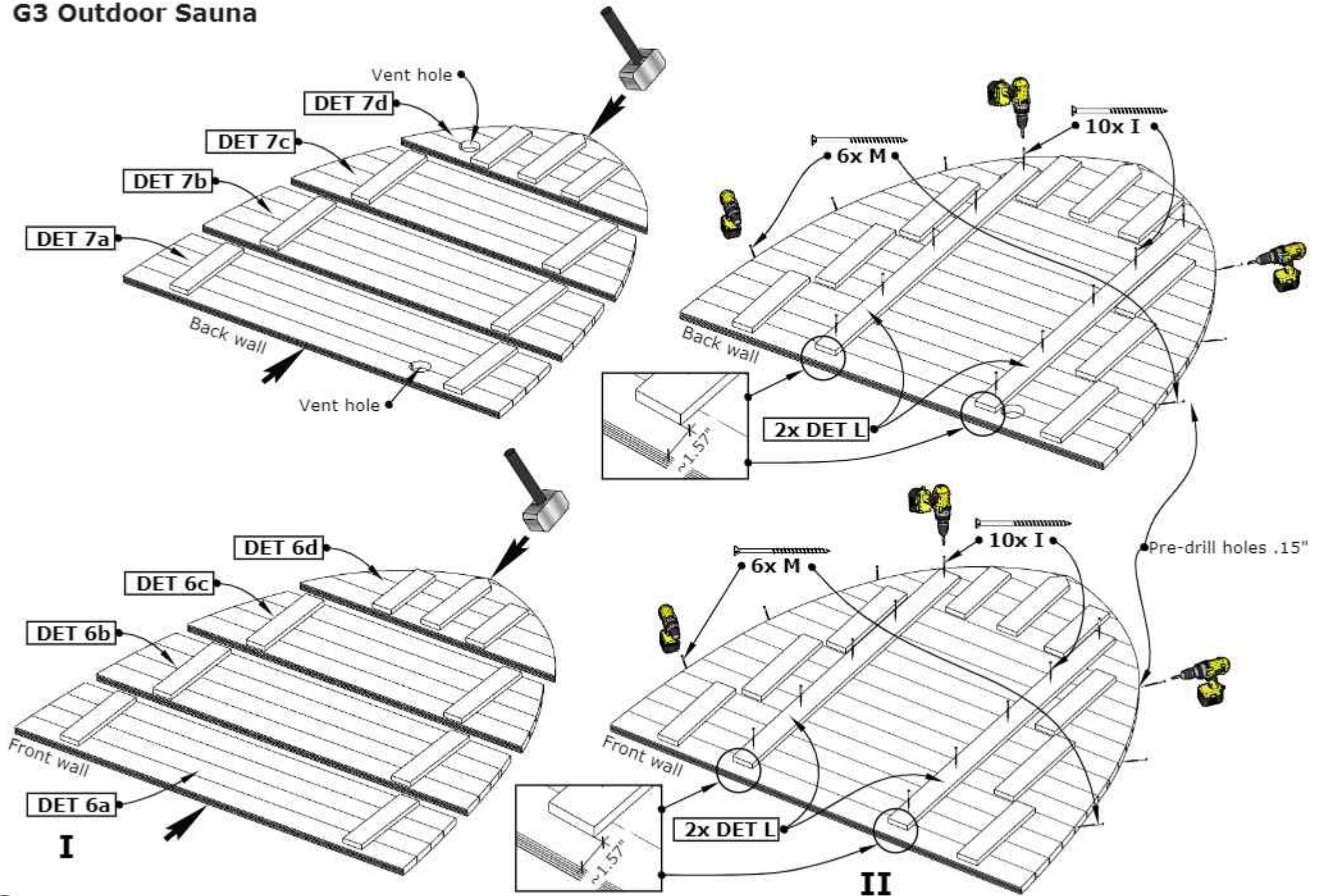
I



II

2.

G3 Outdoor Sauna



3.

G3 Outdoor Sauna



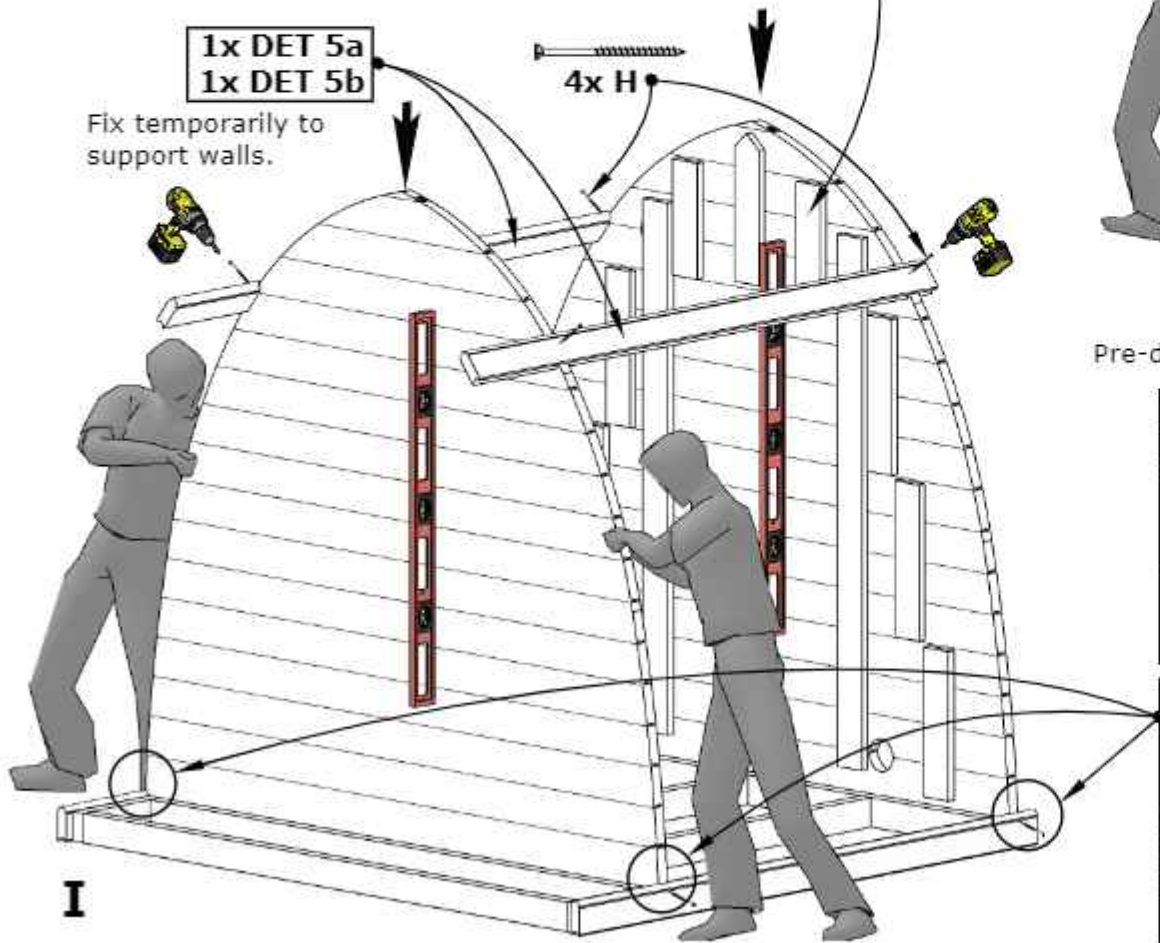
Use water level!

1x DET 5a
1x DET 5b

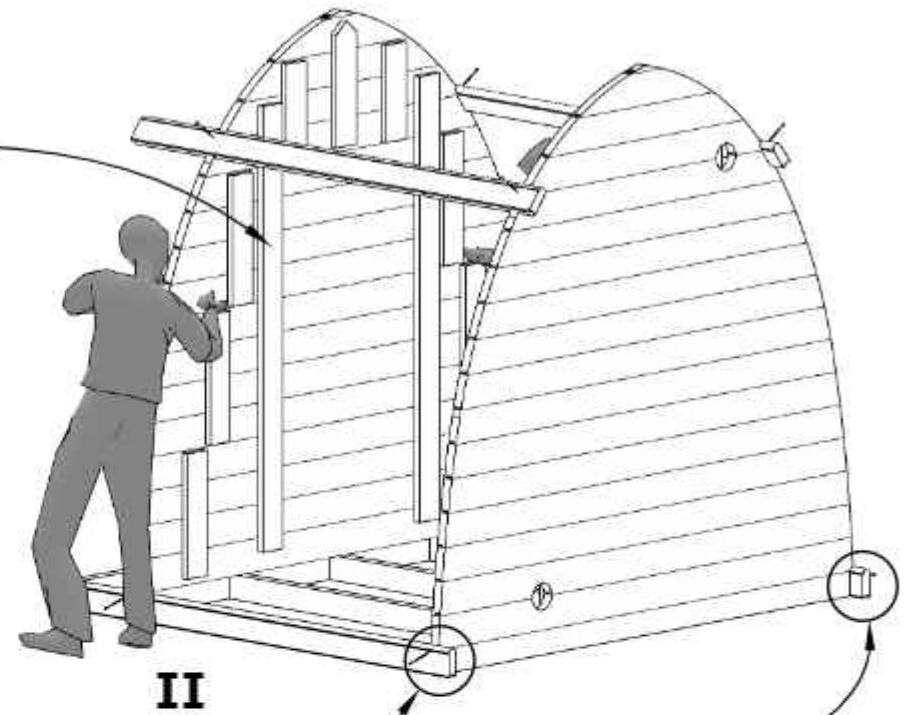
Fix temporarily to support walls.

4x H

Brackets inside

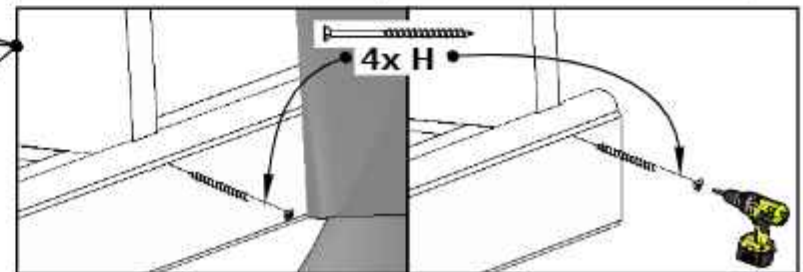
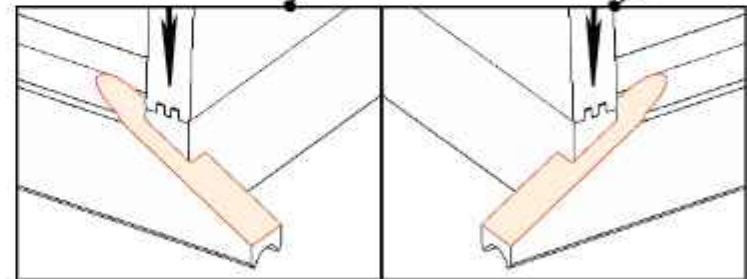


I



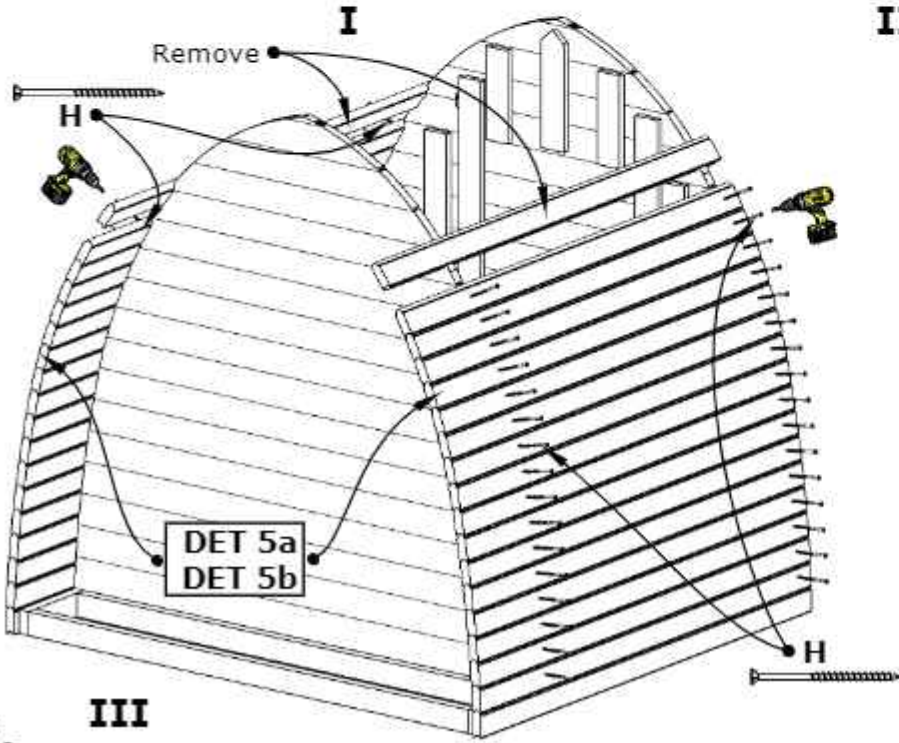
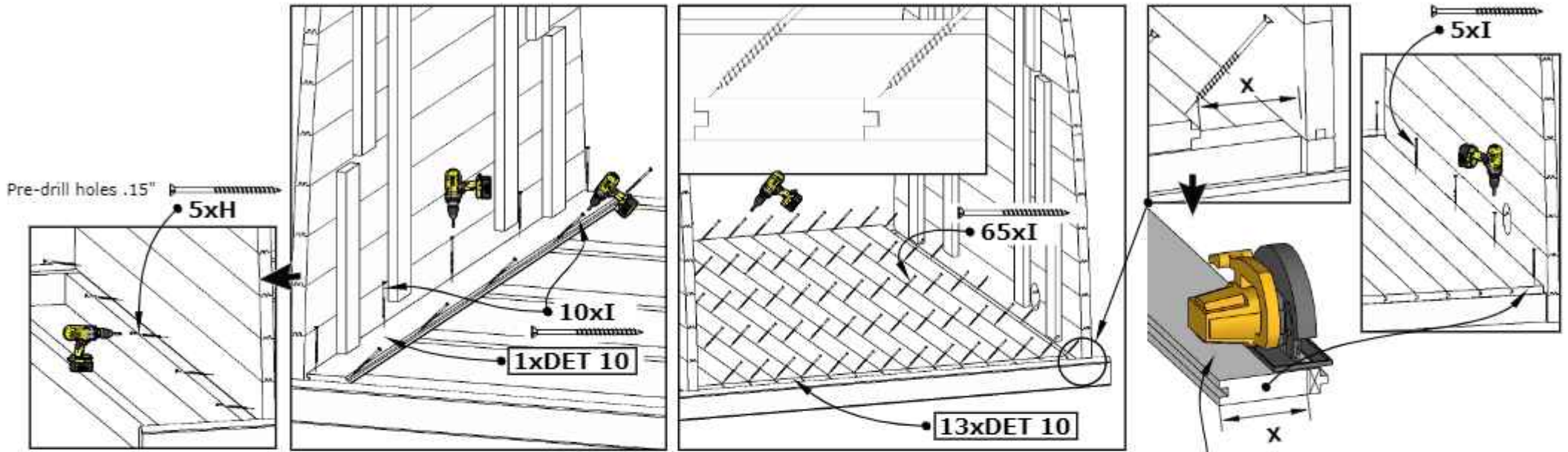
II

Pre-drill holes .15"

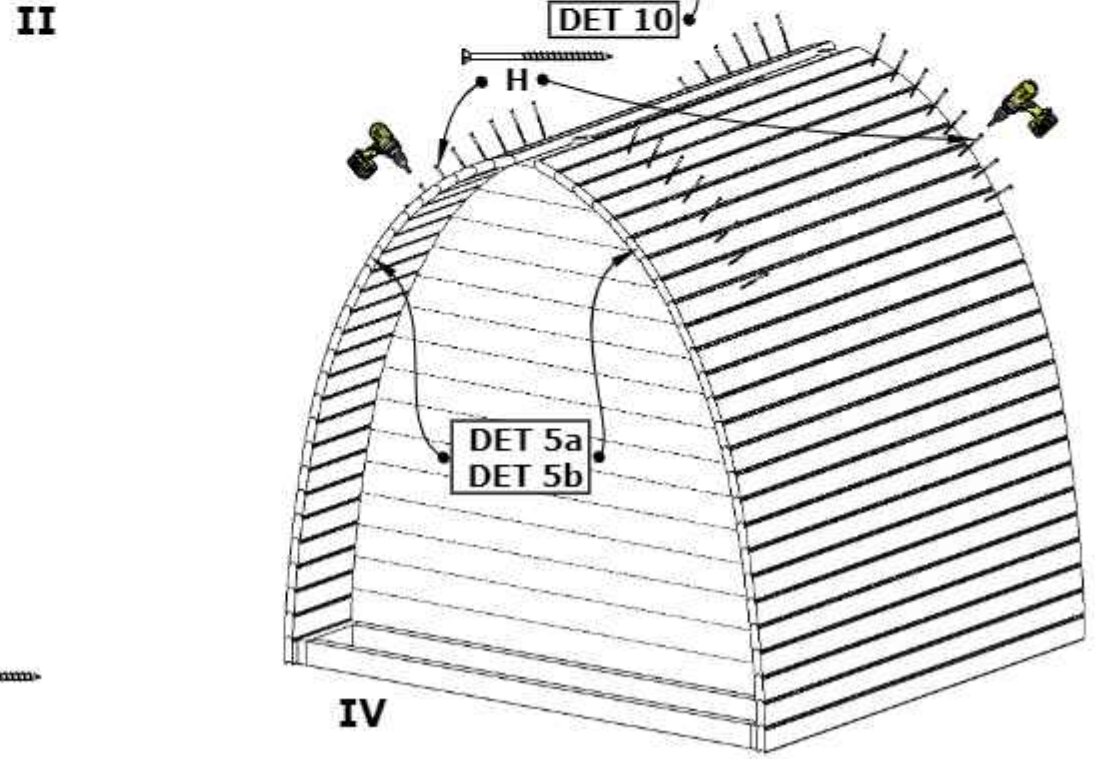


4.

G3 Outdoor Sauna

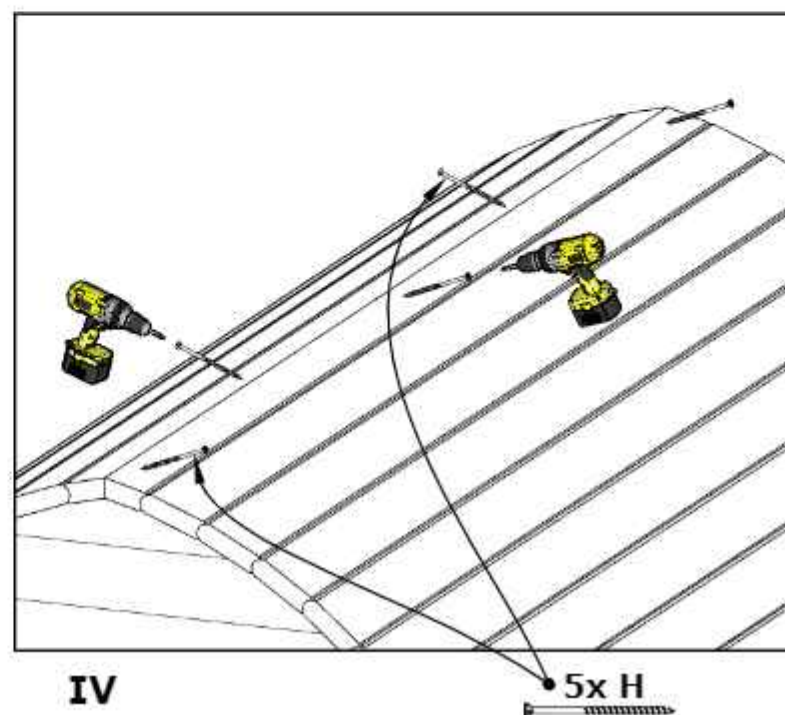
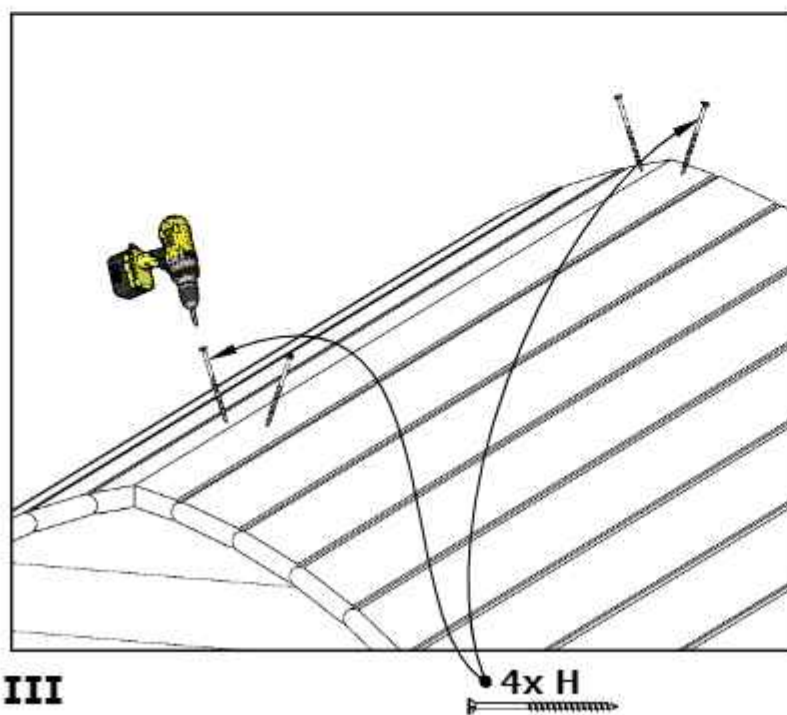
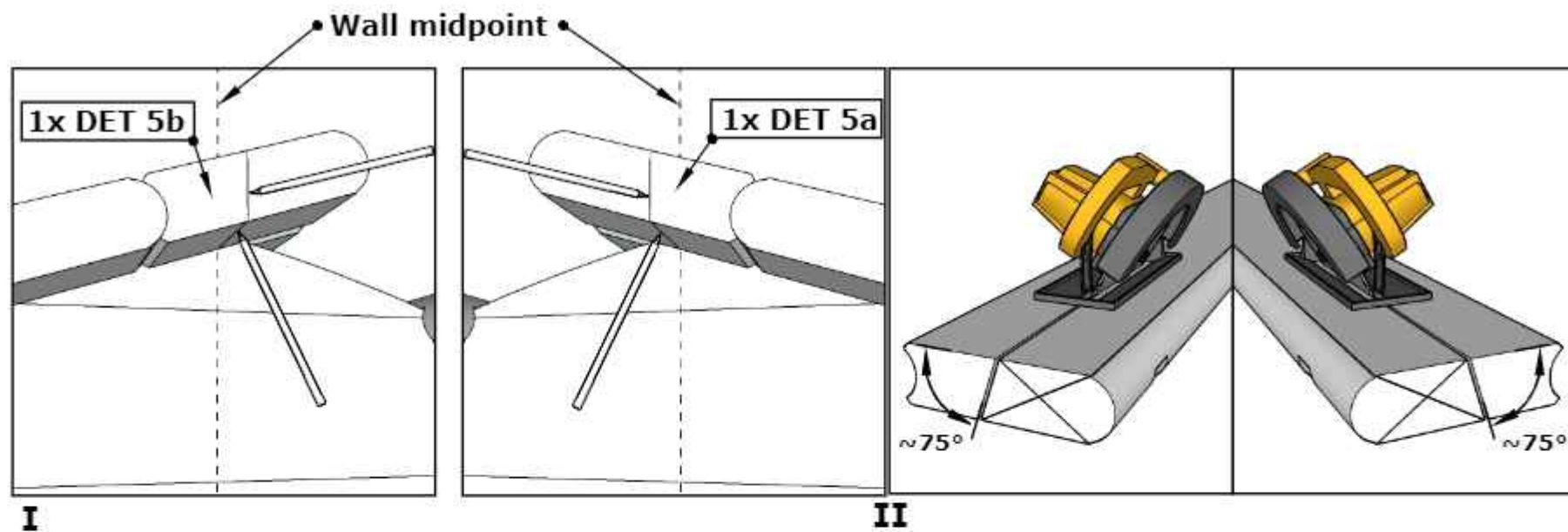


5. III



IV

G3 Outdoor Sauna



6.

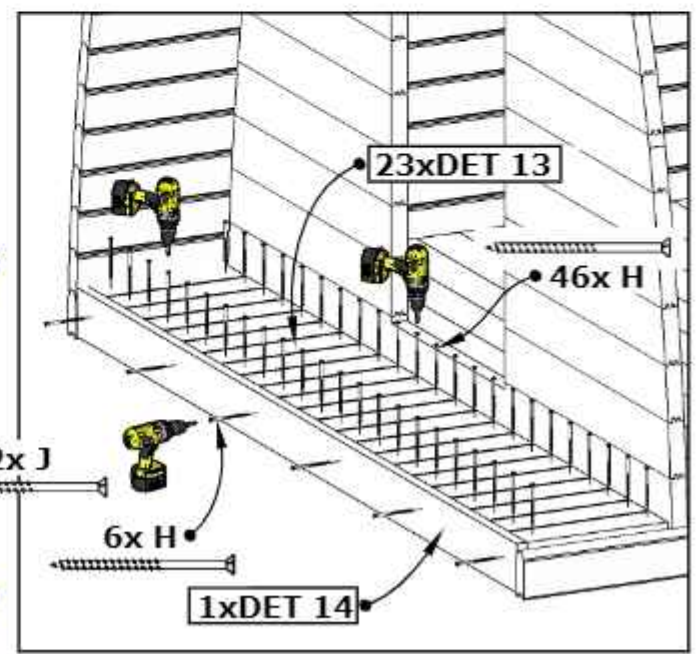
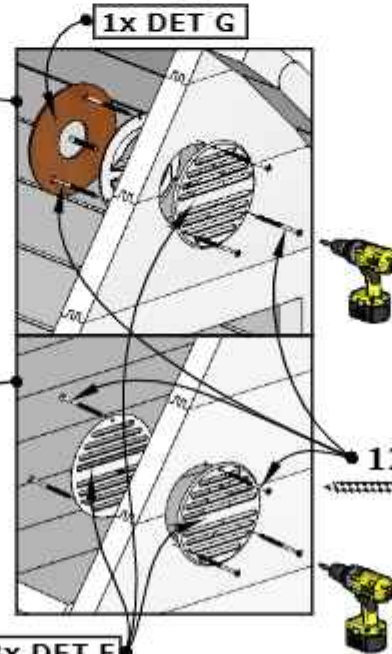
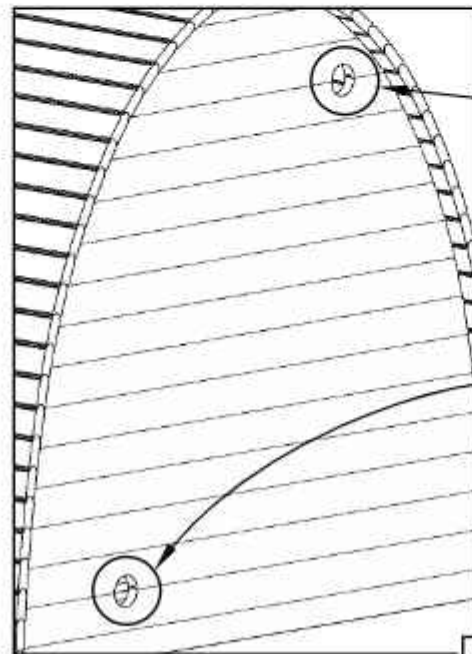
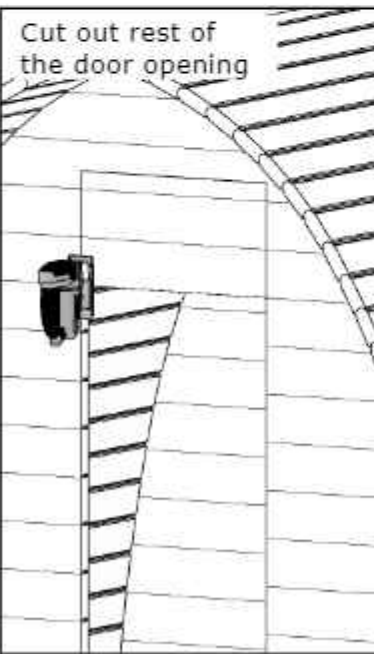
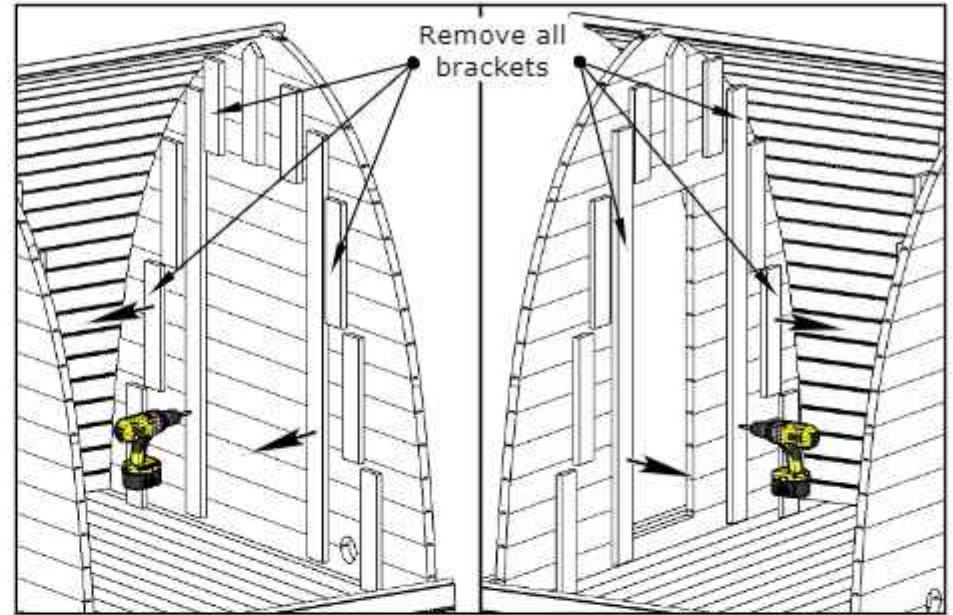
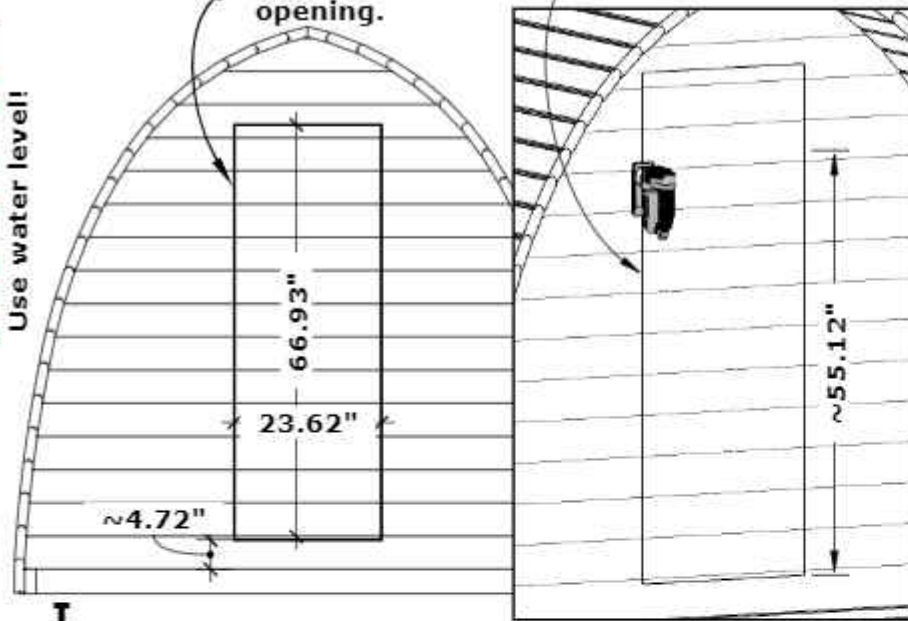
G3 Outdoor Sauna



Use water level!

Mark door opening.

Cut first lower part and remove boards



7.

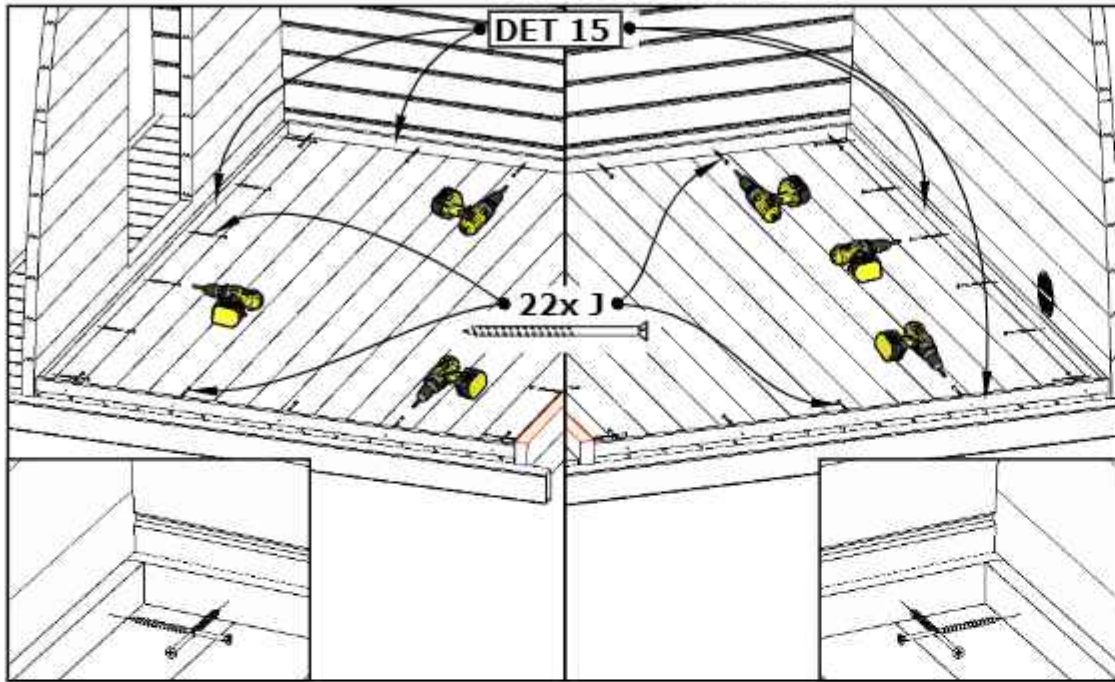
III

IV

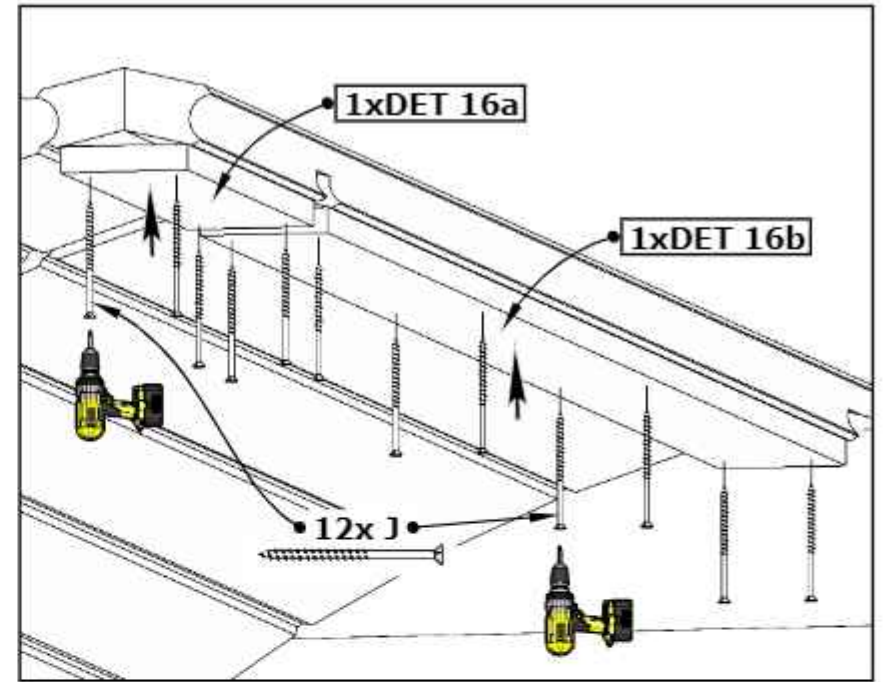
V

G3 Outdoor Sauna

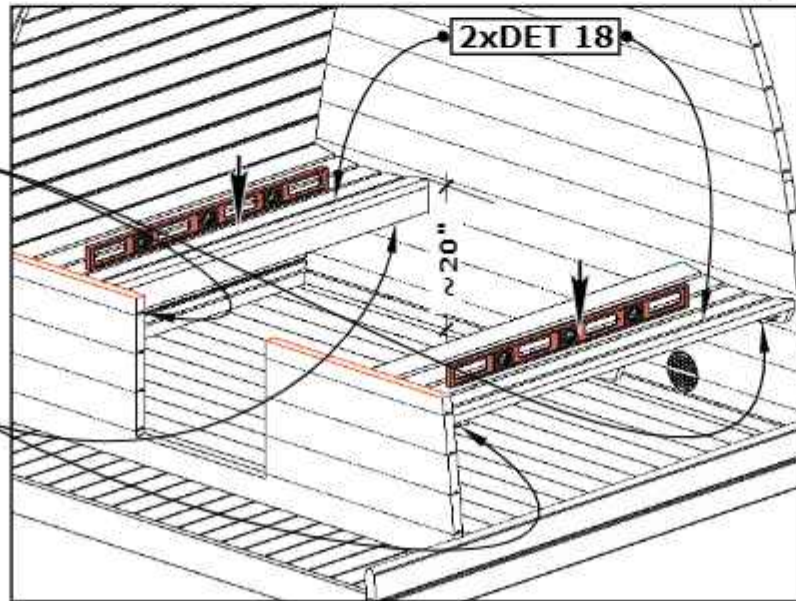
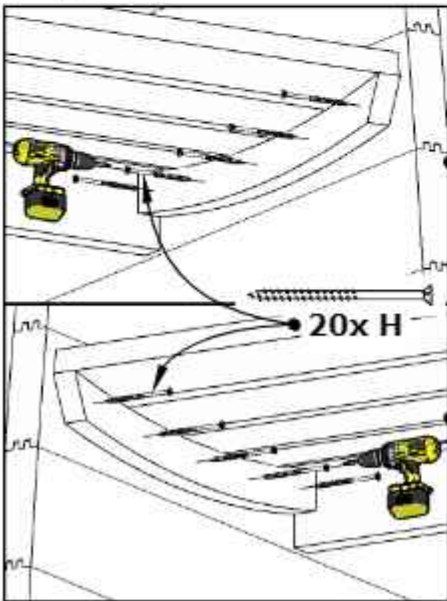
Cut floor slats from DET 15



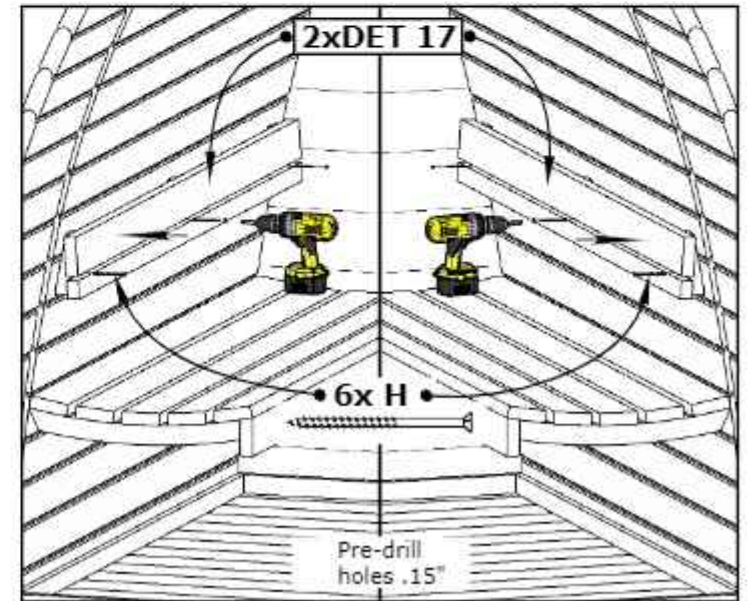
I



II



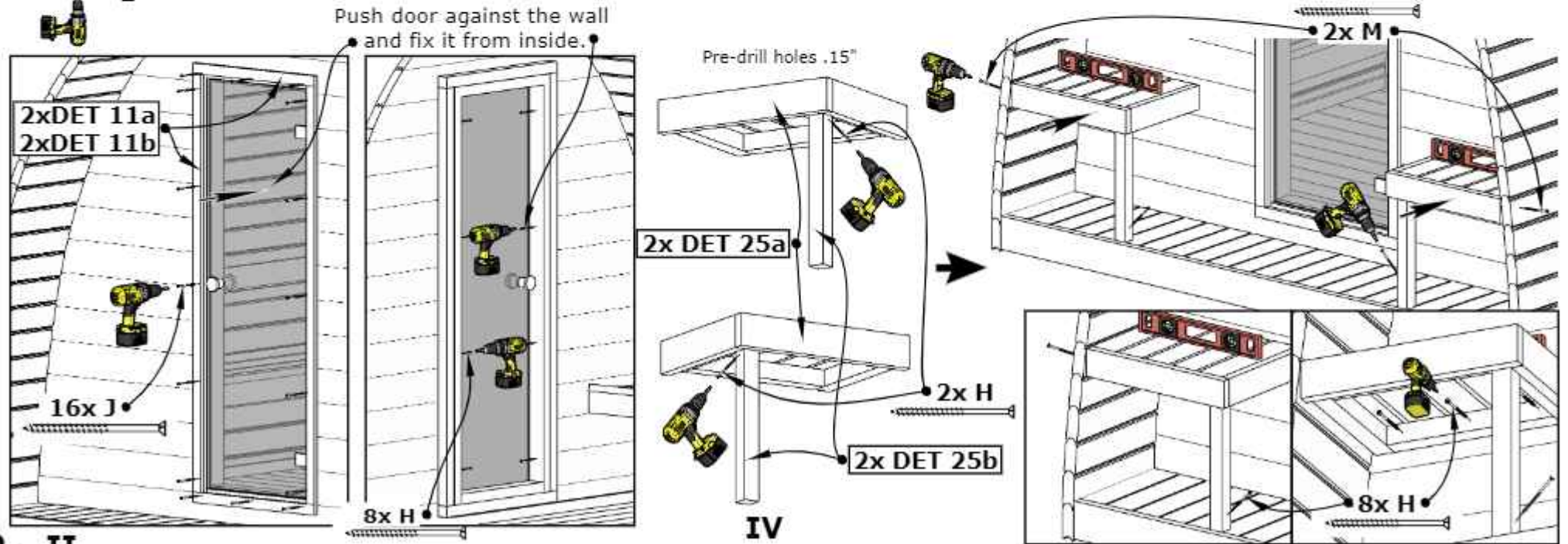
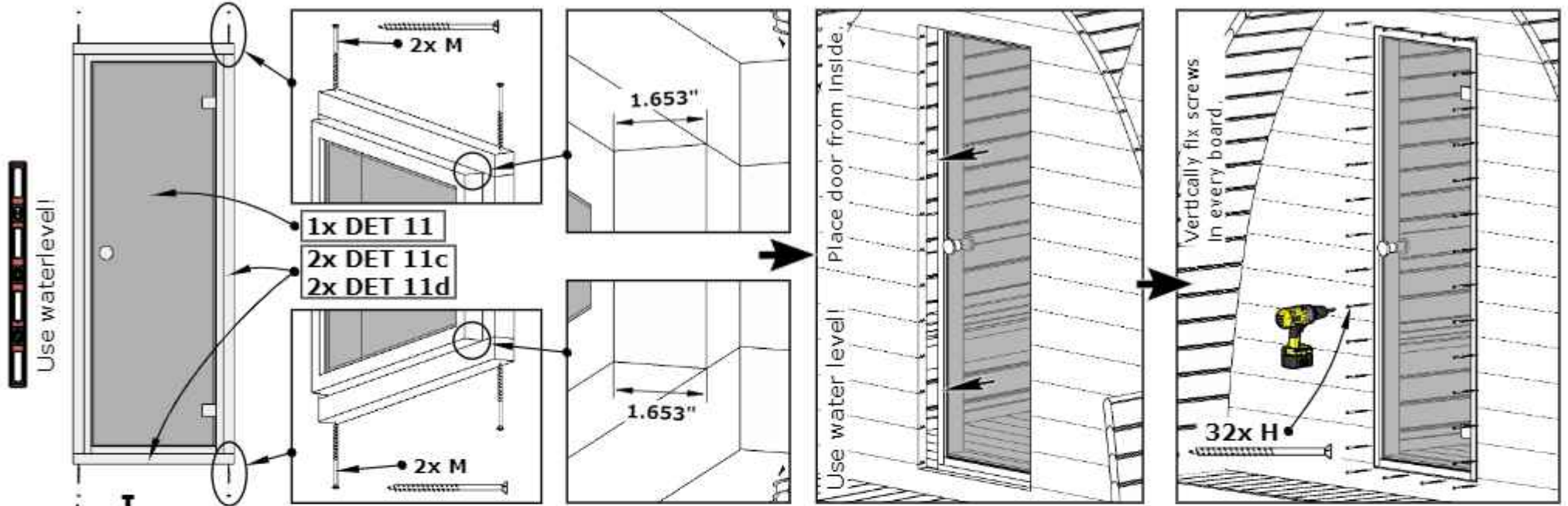
III



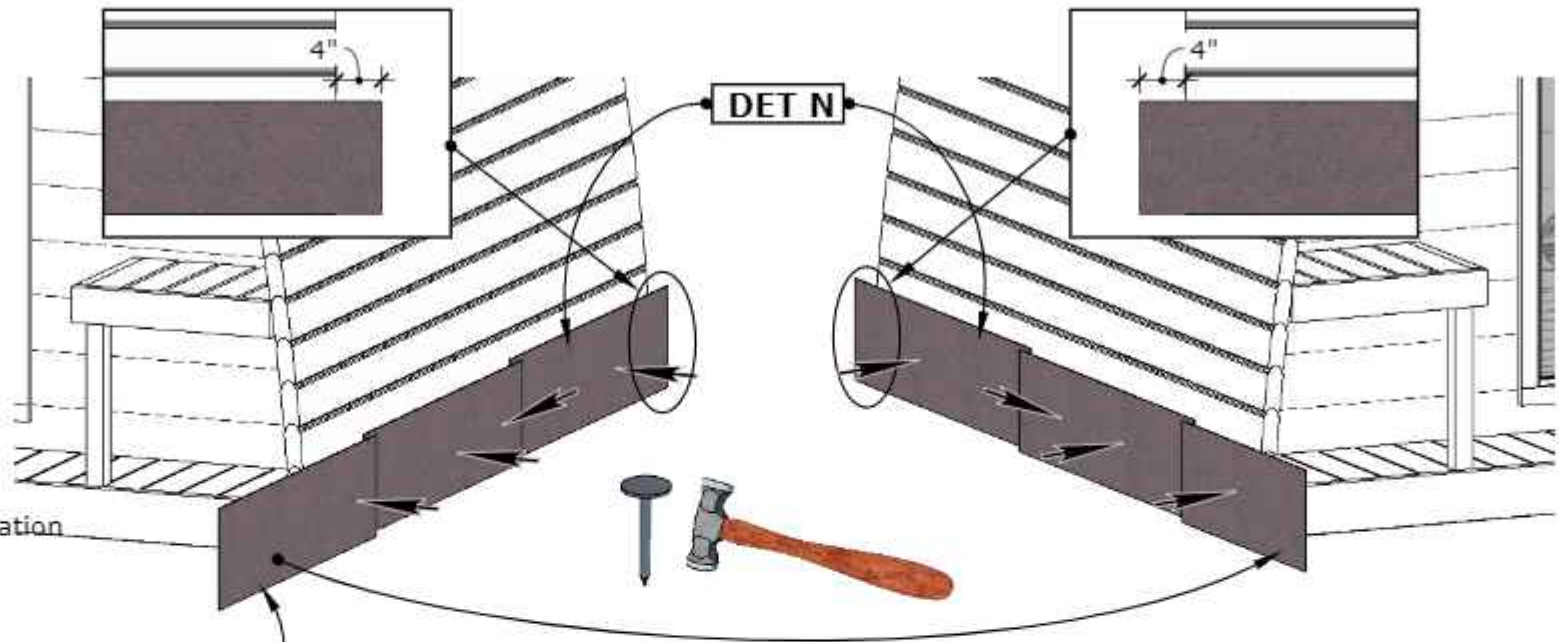
IV

8.

G3 Outdoor Sauna



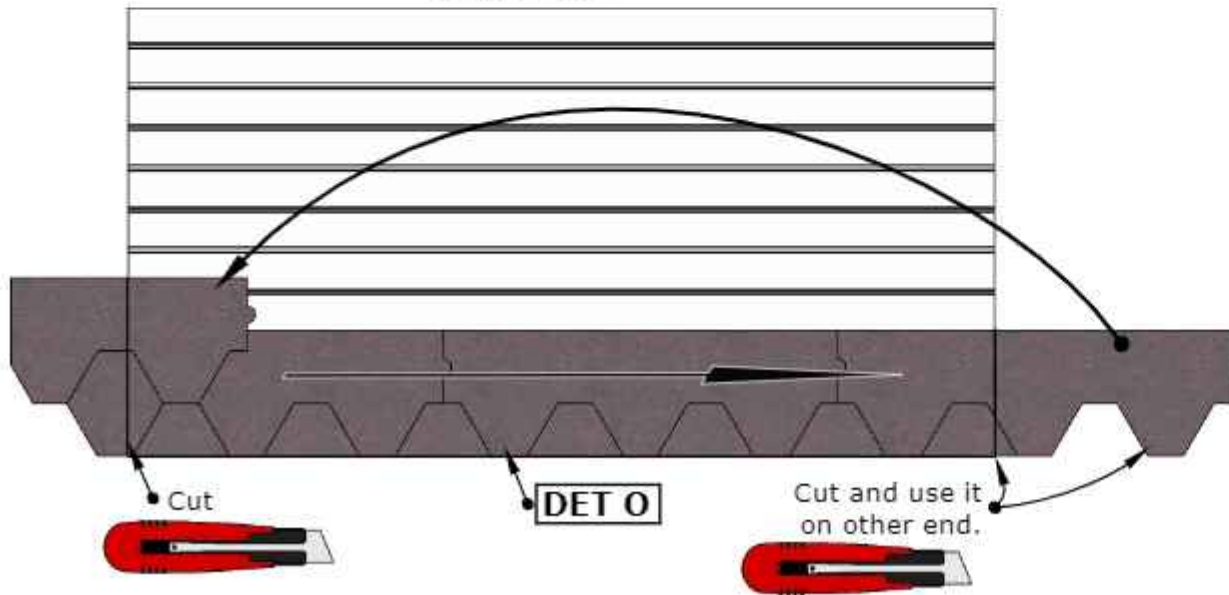
G3 Outdoor Sauna



Check roof shingles installation manual inside package.

Cut and use it on other side

I

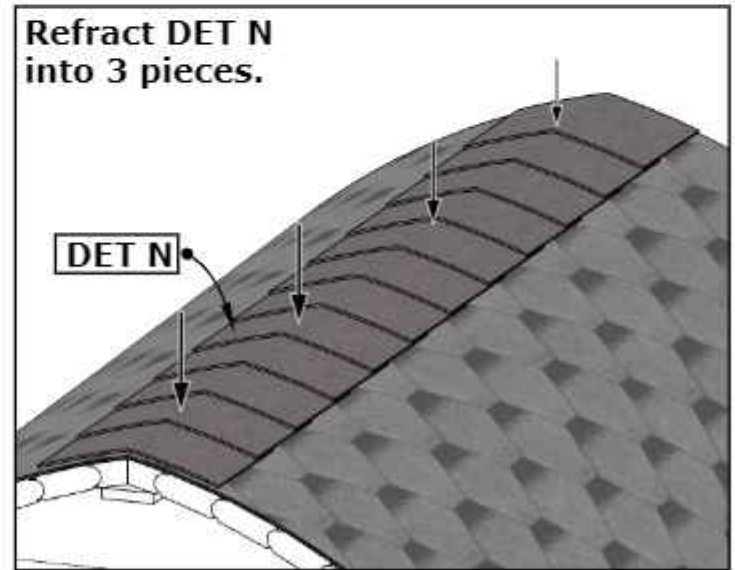


Cut

DET O

Cut and use it on other end.

Refract DET N into 3 pieces.



DET N

III

G3 Outdoor Sauna

