



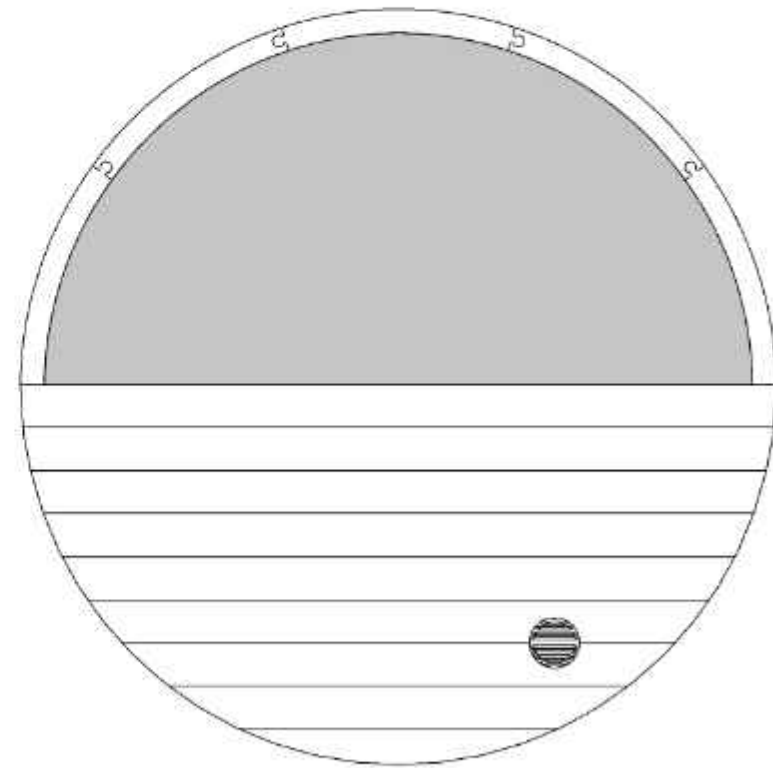
Ergo-Series E8W Barrel Sauna
Half Glass Window 87D" x 81H"



Note: Please read manual before construction

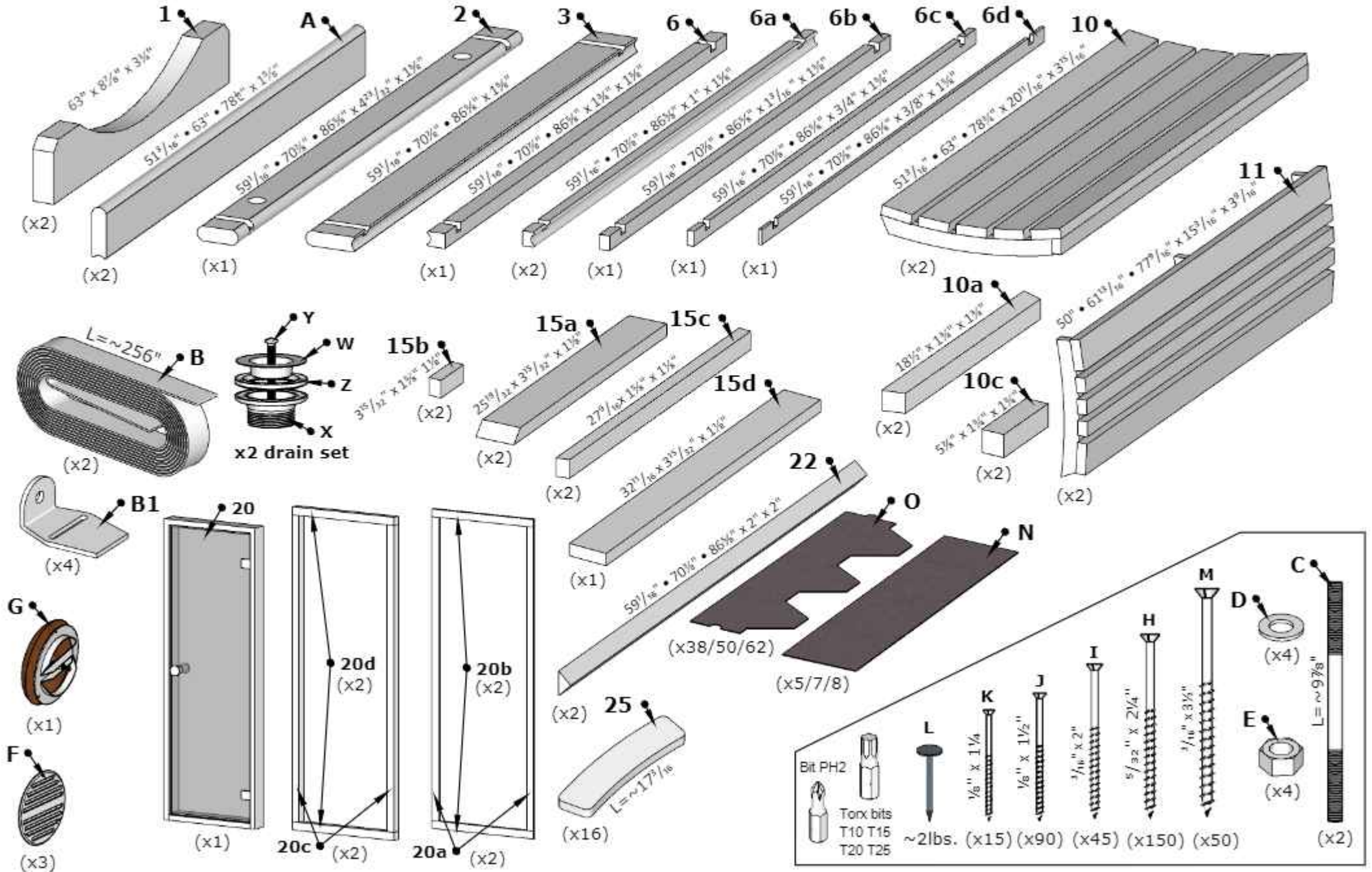
Rev 4/2023

Front & Back Walls



E8W Barrel Sauna 87D" x 81H"

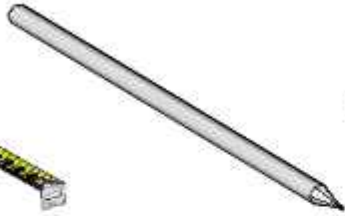
Details list.



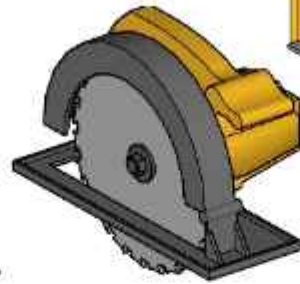
Tools needed



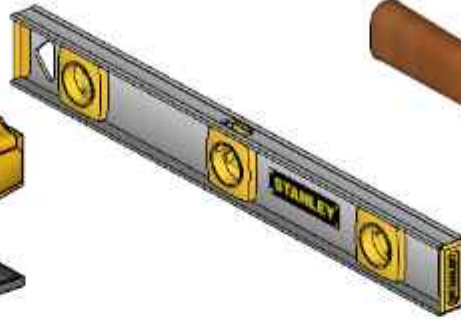
Measuring tape



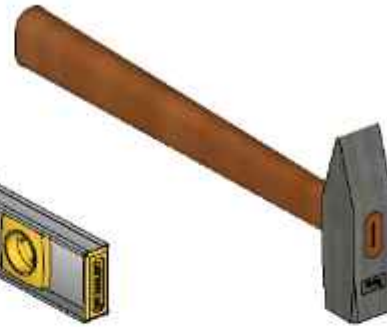
Marker pen



Circular saw



Water level



Hammer



Extra hands



Ratchet strap



Silicone gun
(Only glass-wall models)



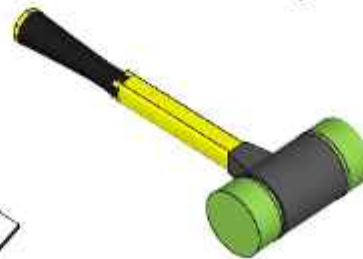
Drill



Crescent wrench

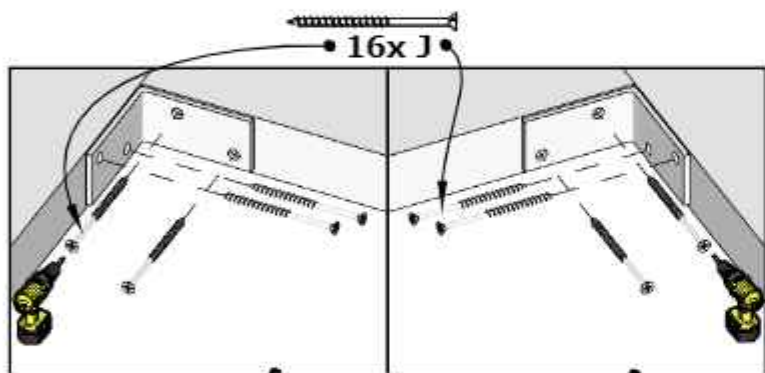
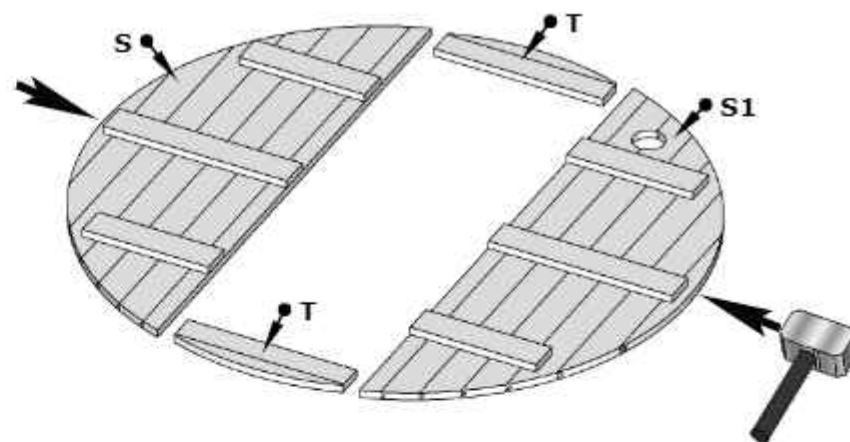
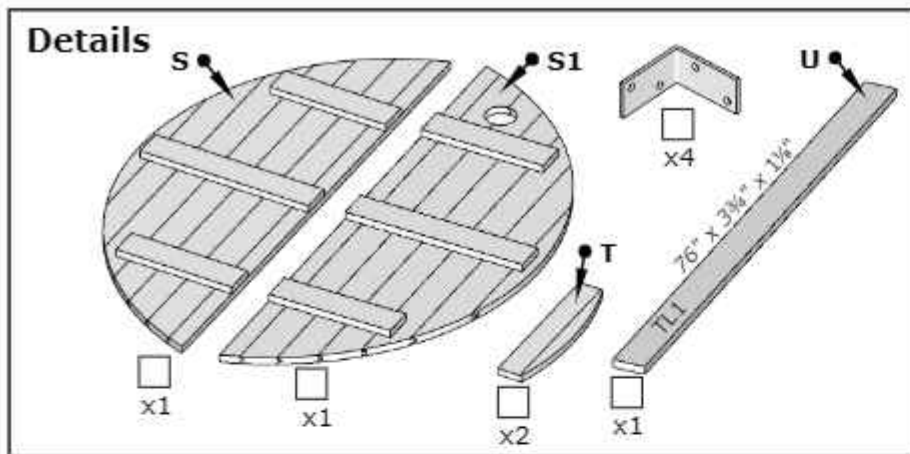


Utility knife

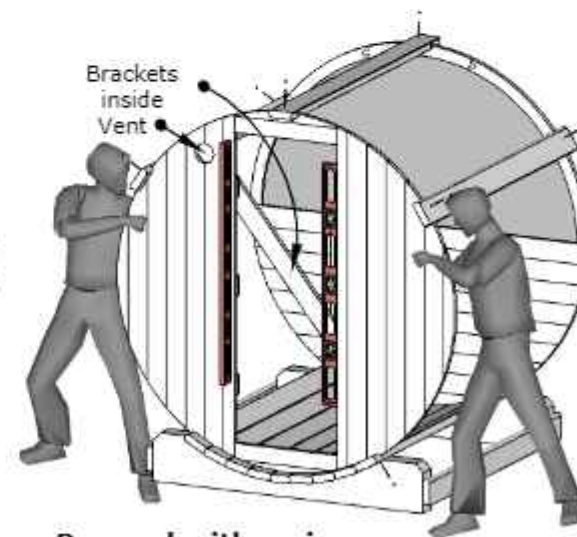
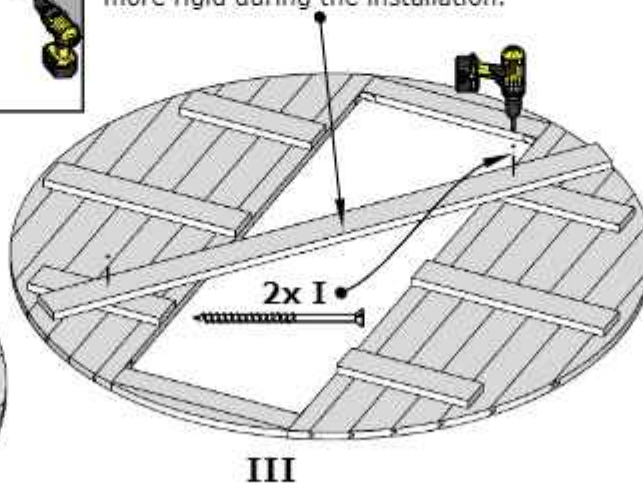
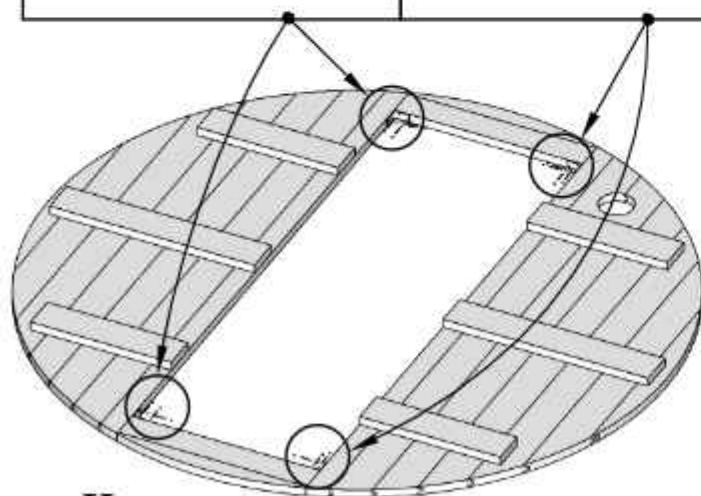


Rubber mallet

Wooden front wall installation

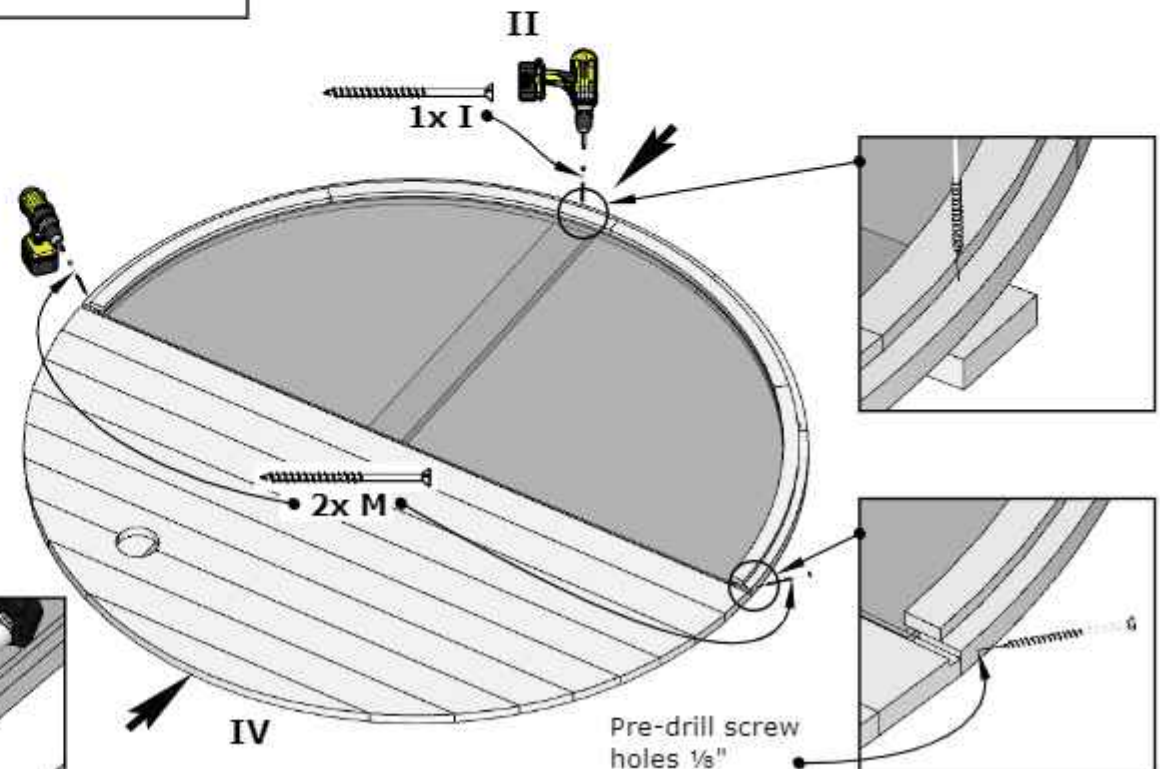
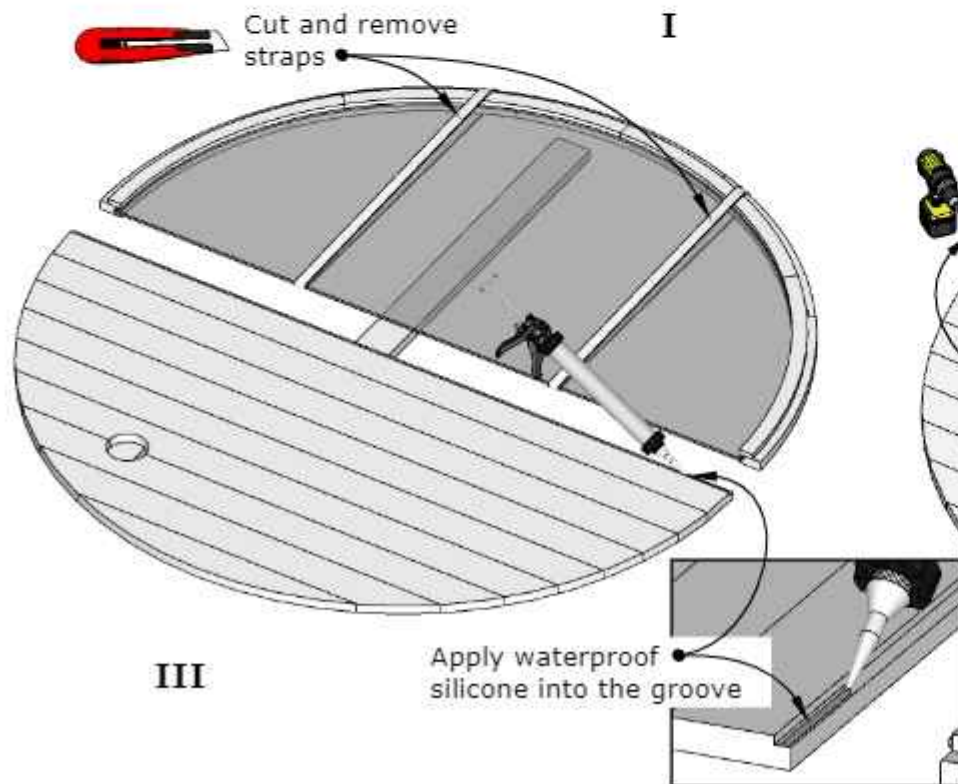
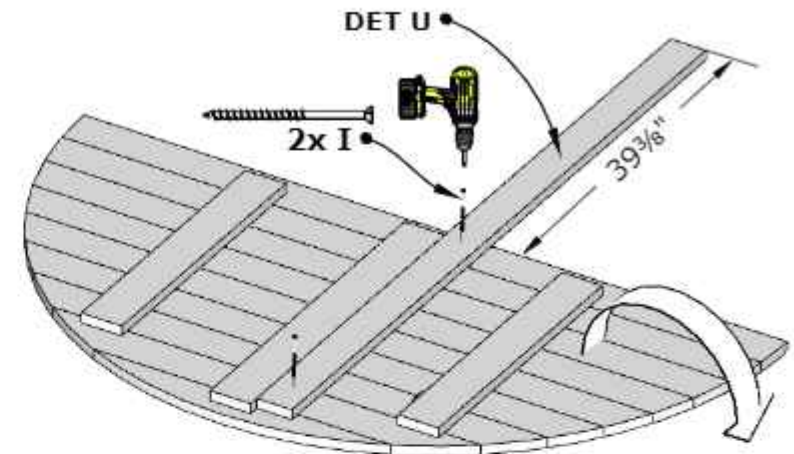
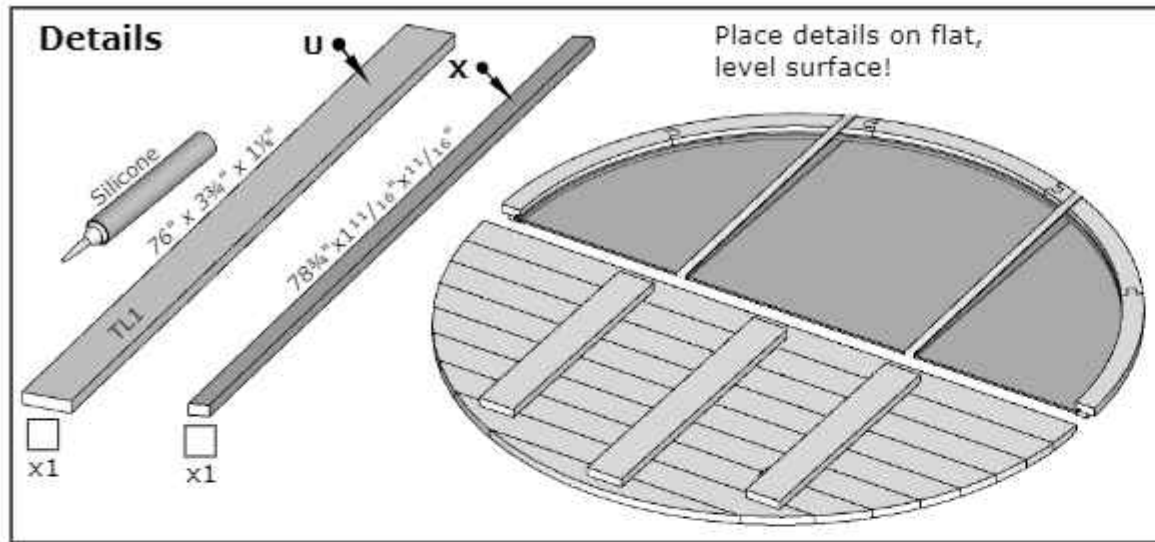


DET U Fix it diagonally to make wall more rigid during the installation.



Proceed with main installation manual!

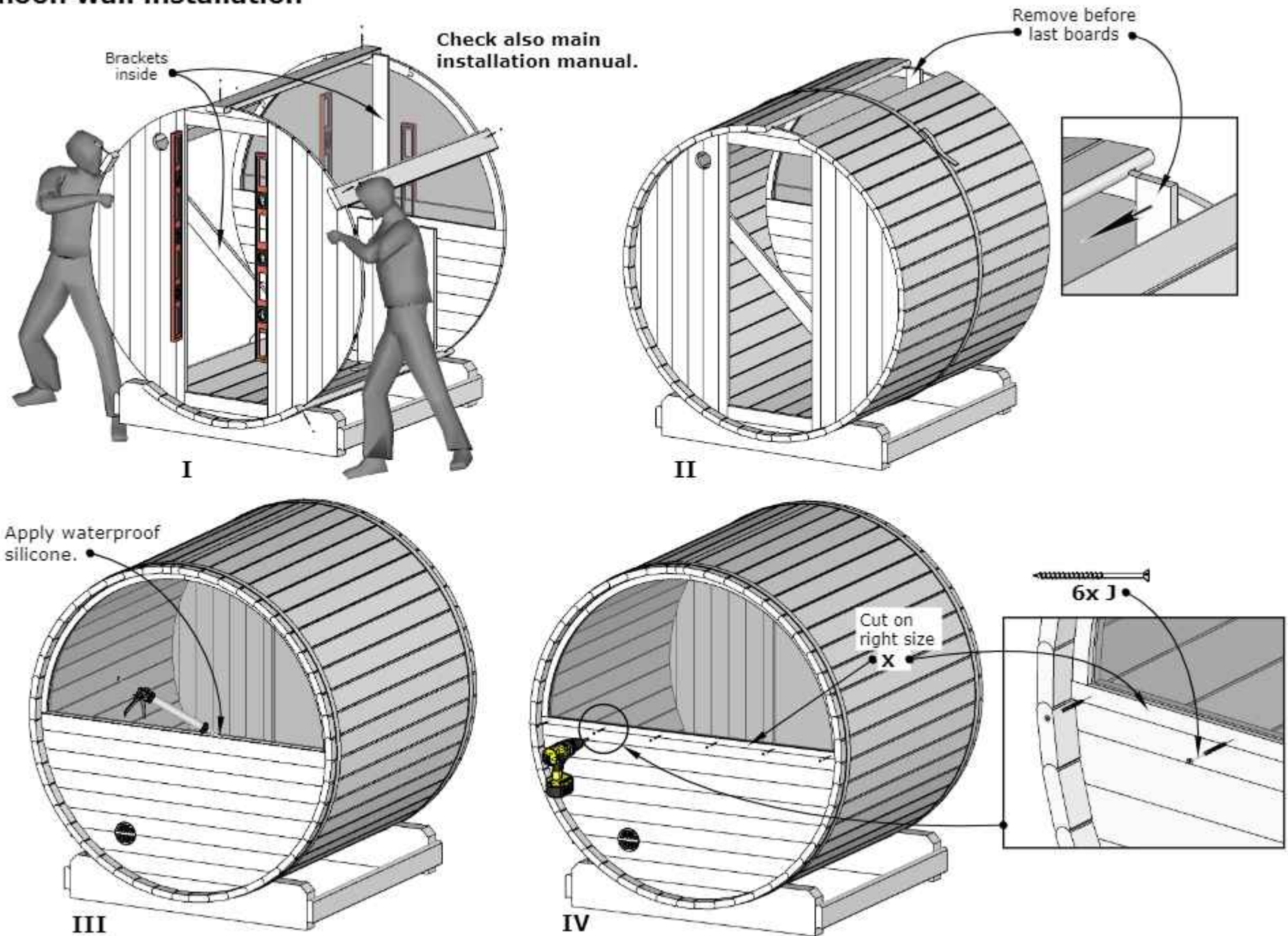
Half-moon wall installation



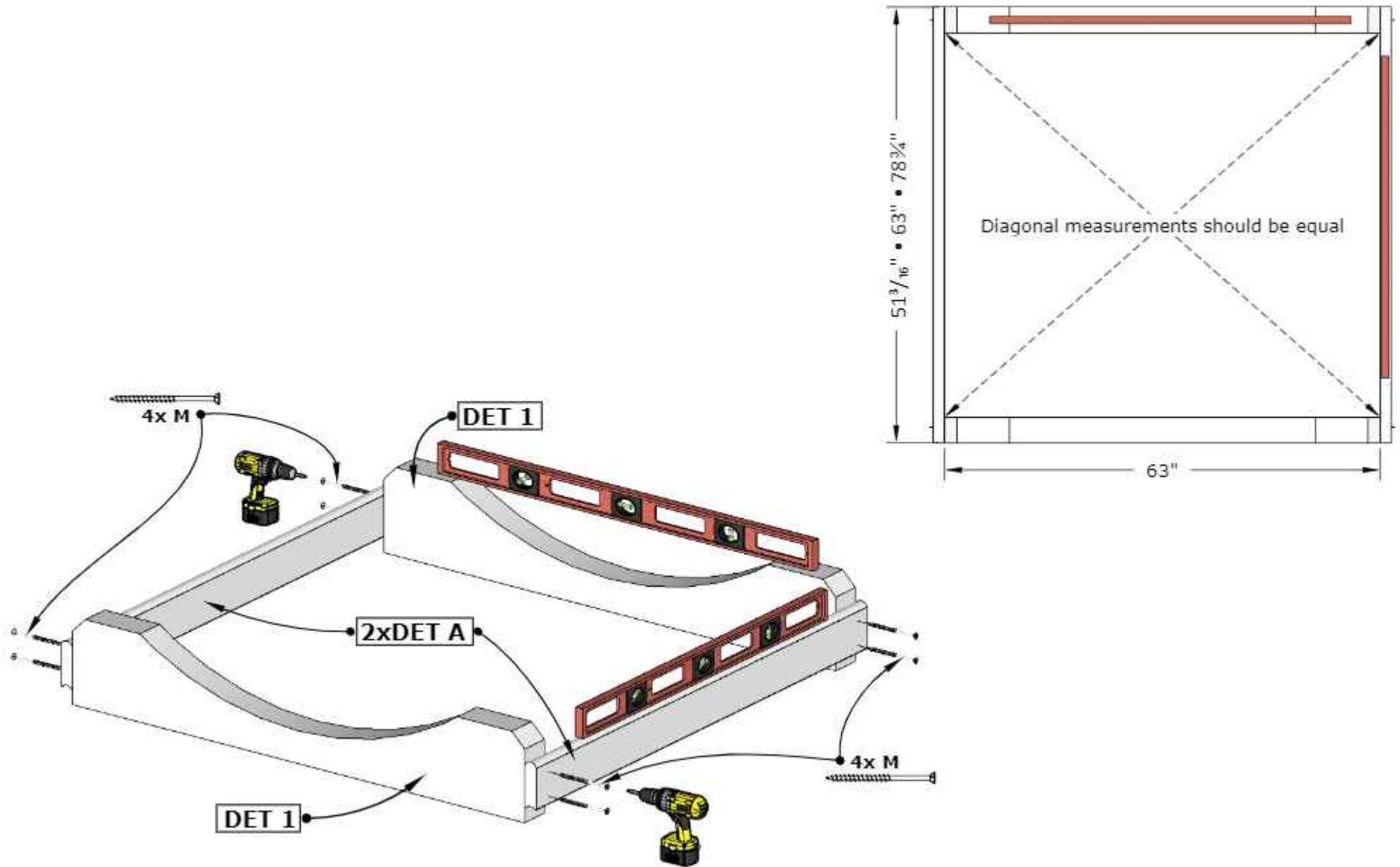
1.

WARNING: Do not let screws touch glass!

Half-moon wall installation

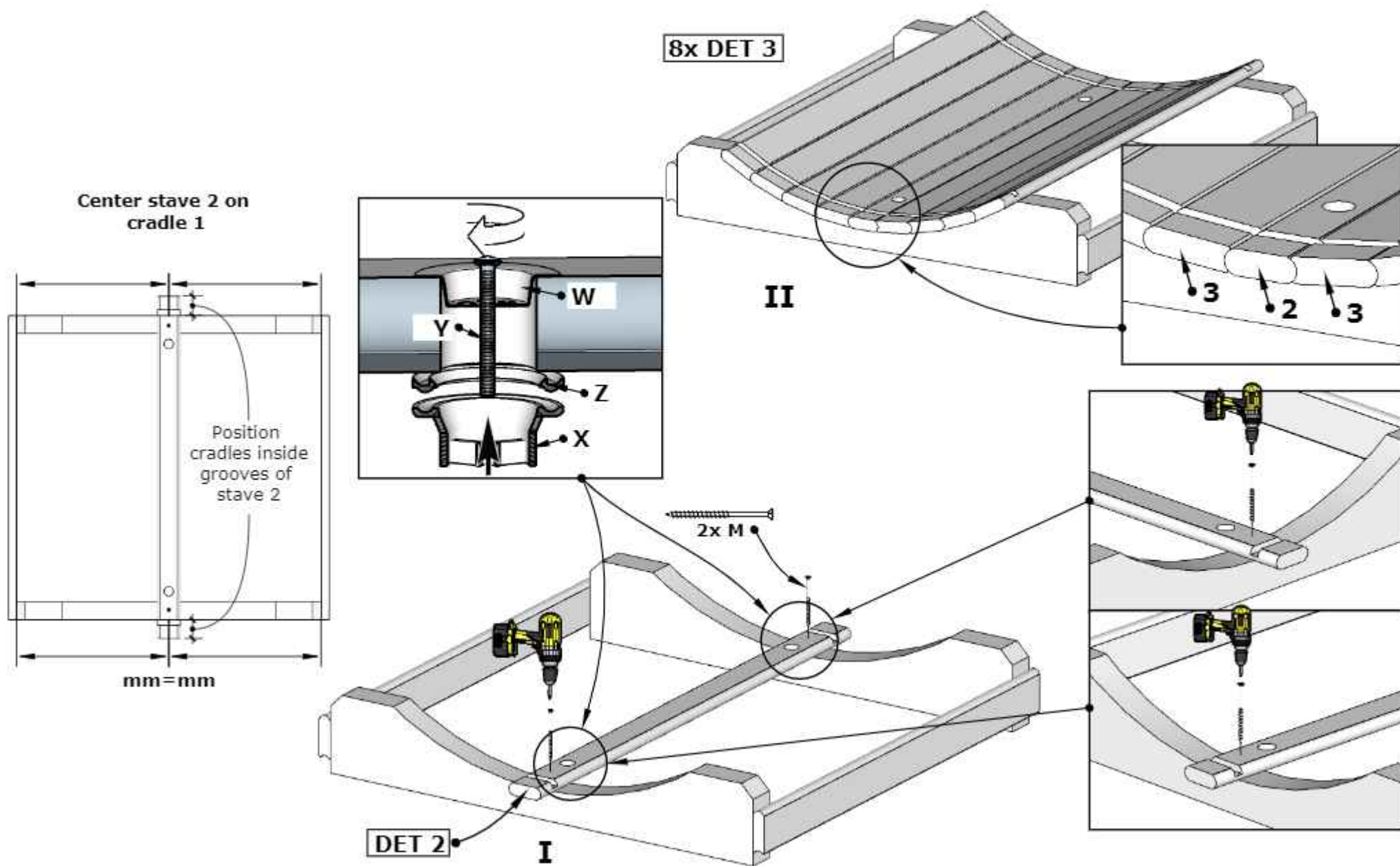


E8W Barrel Sauna 87D" x 81H"

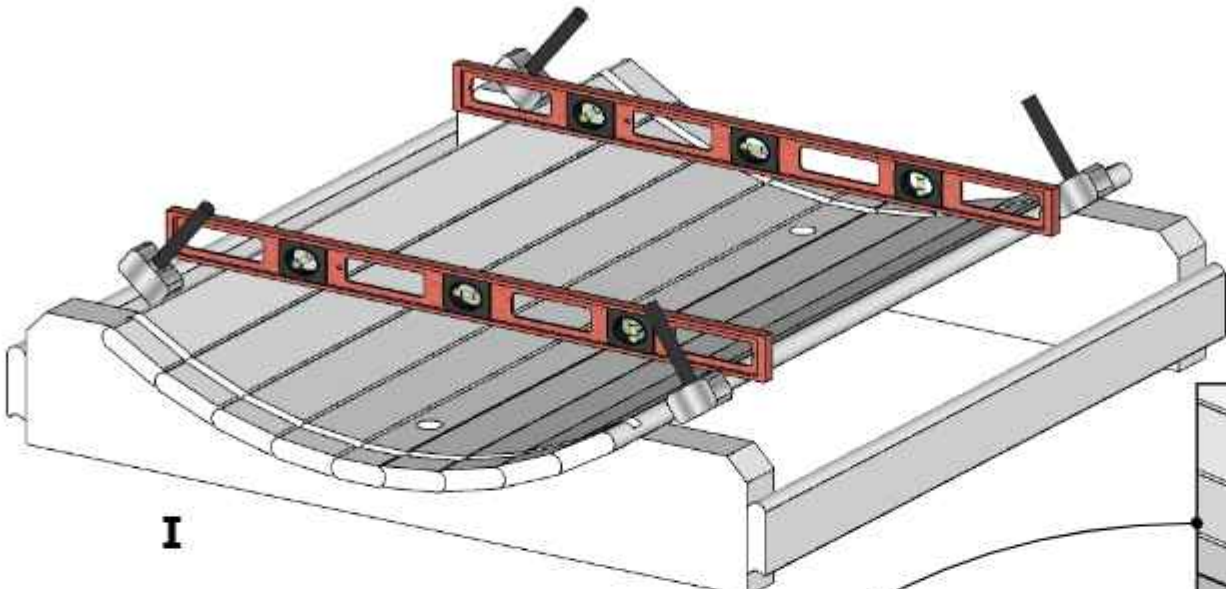


1.

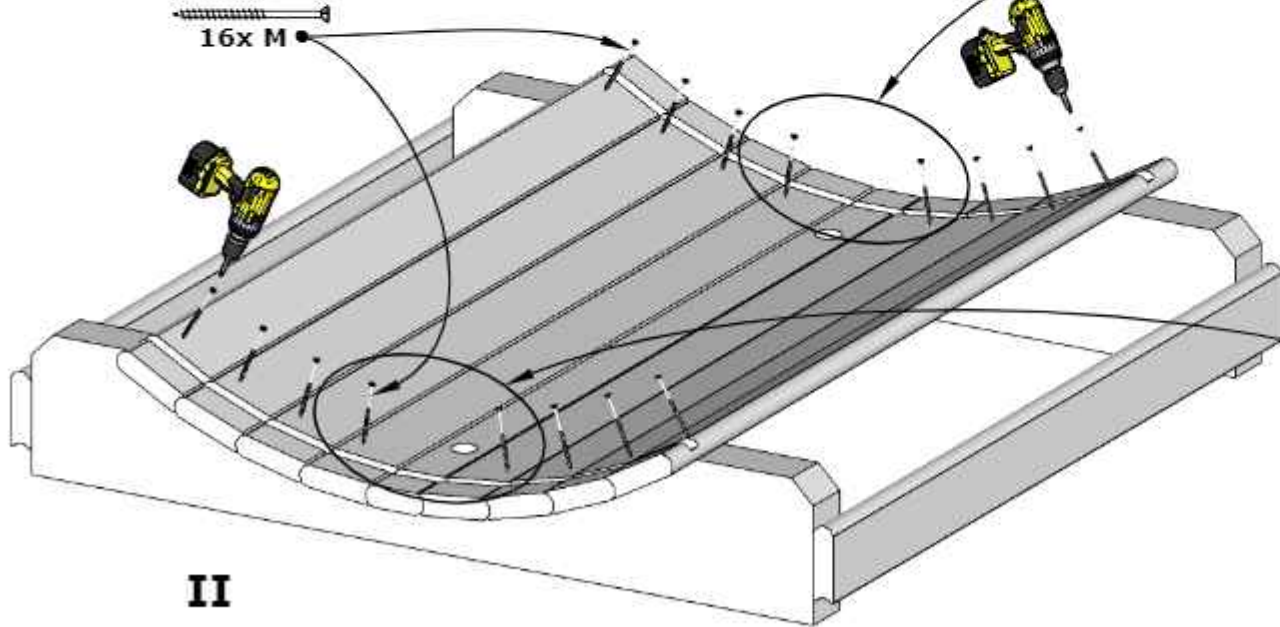
E8W Barrel Sauna 87D" x 81H"



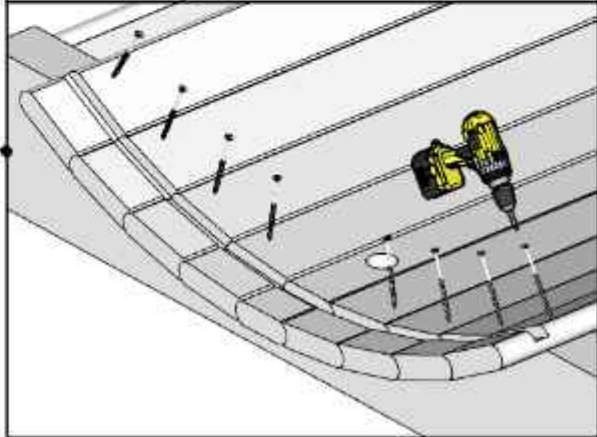
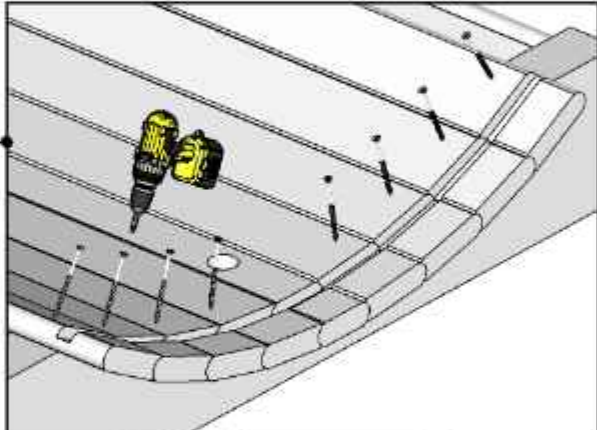
E8W Barrel Sauna 87D" x 81H"



I

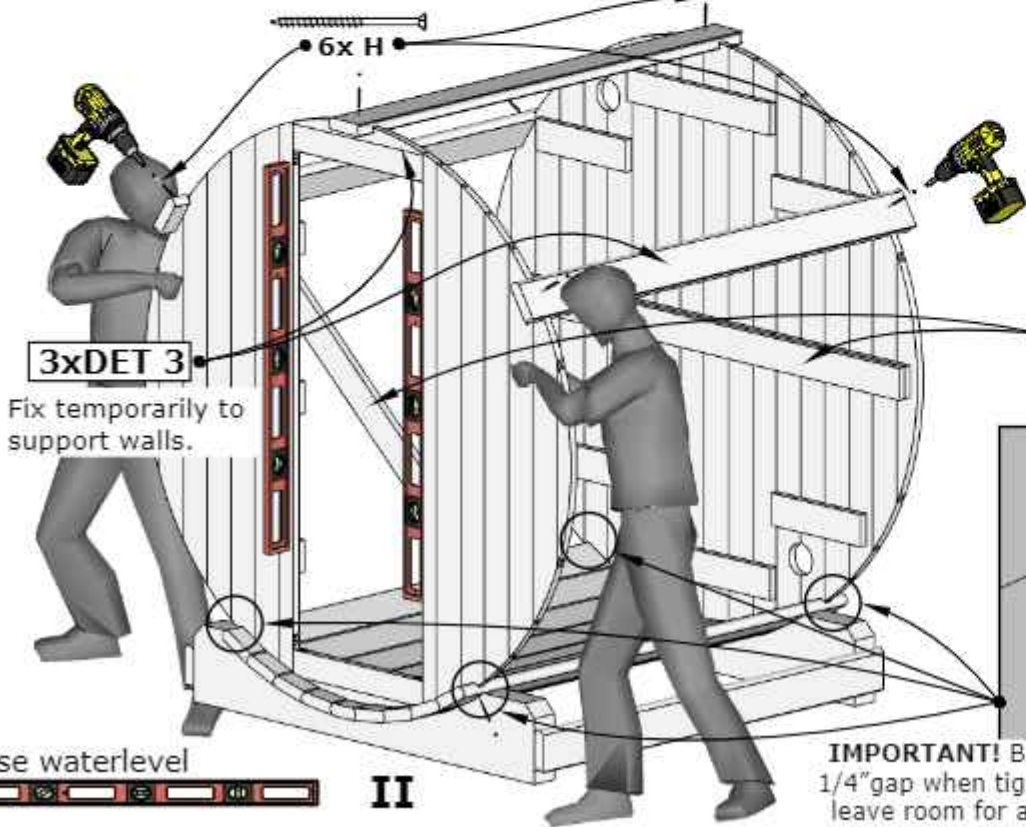
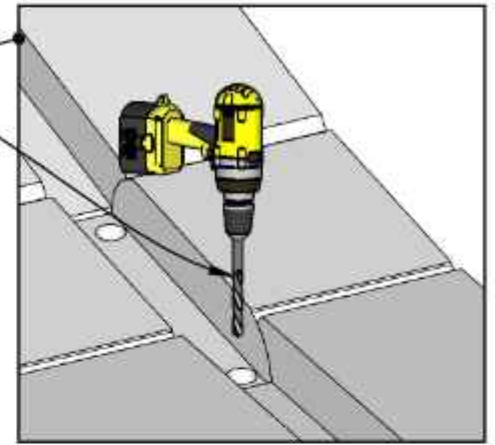
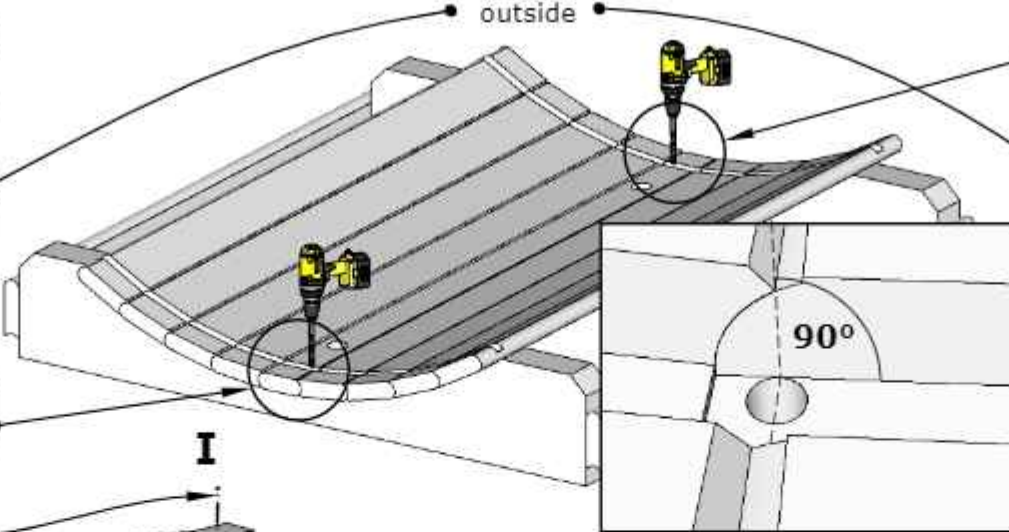
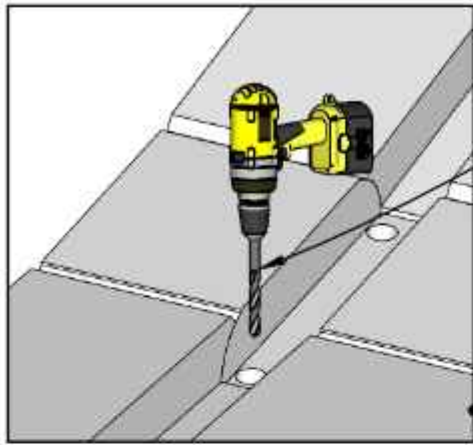


II



E8W Barrel Sauna 87D" x 81H"

Drill 4 holes $\varnothing 1/2"$
through DET 2
outside

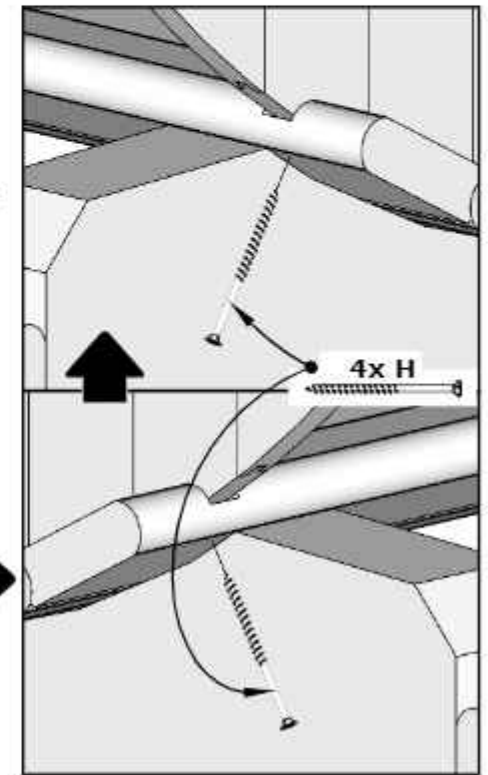


3xDET 3
Fix temporarily to
support walls.

Check walls installation
manual on extra pages!

Sauna wall configuration
depends on Your model!

Brackets inside



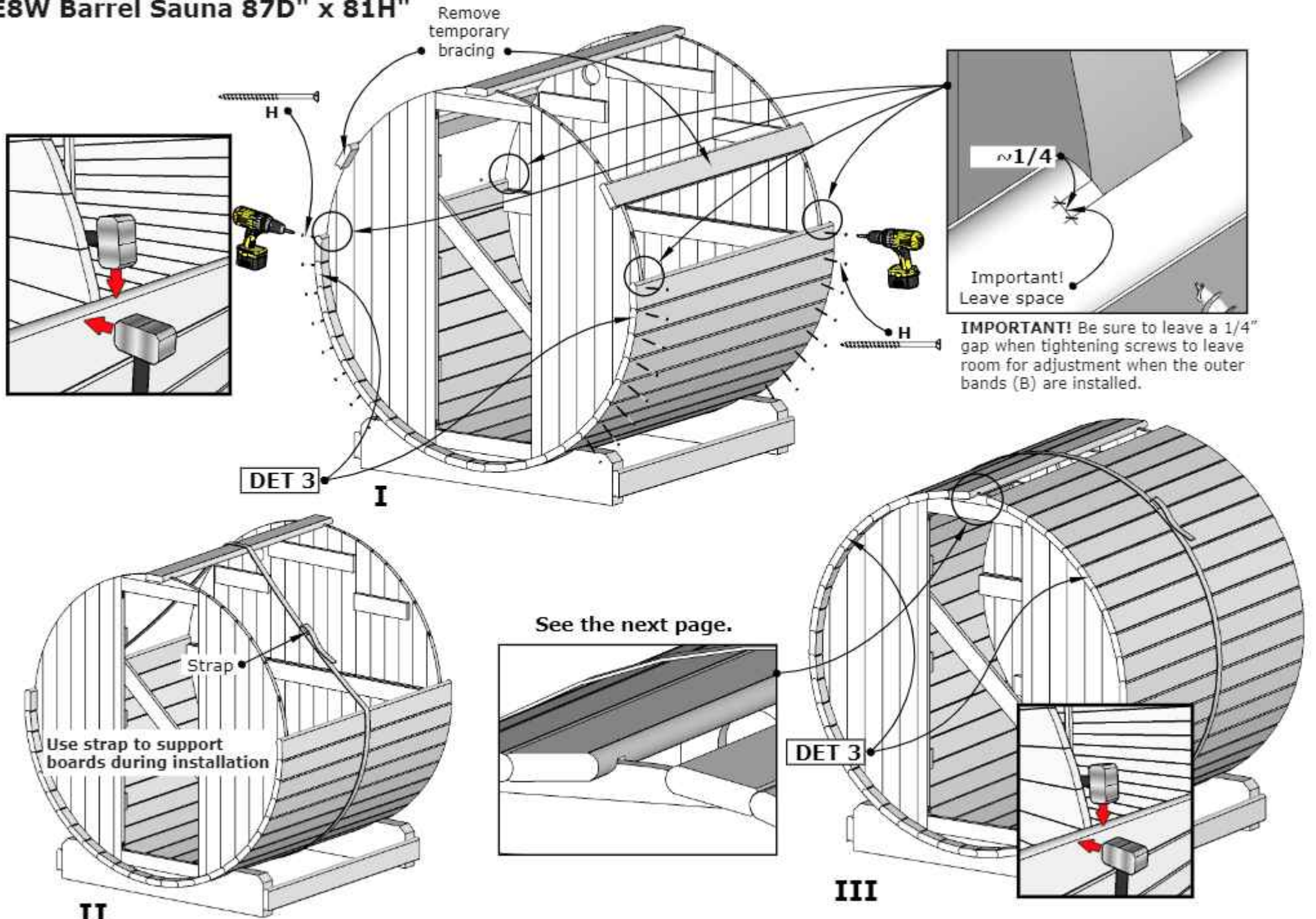
$\sim 1/4"$

IMPORTANT! Be sure to leave a
 $1/4"$ gap when tightening screws to
leave room for adjustment when
the outer bands (B) are installed.

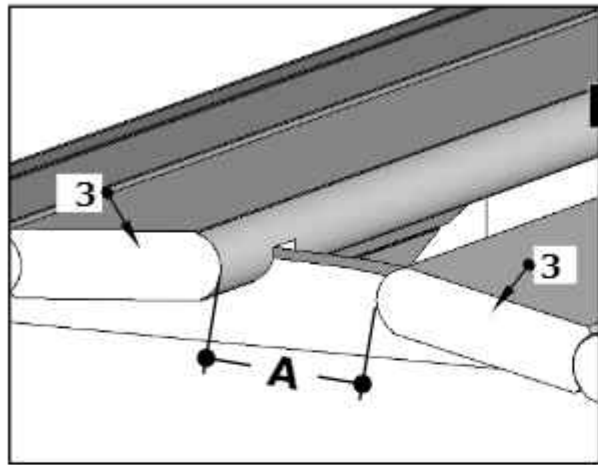
Use waterlevel

II

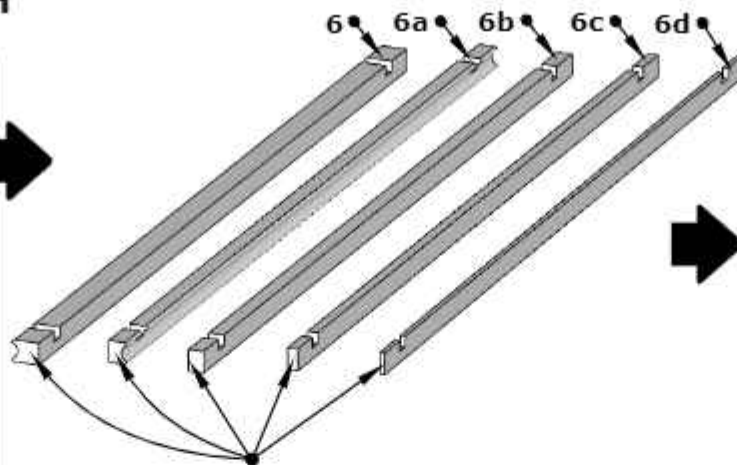
E8W Barrel Sauna 87D" x 81H"



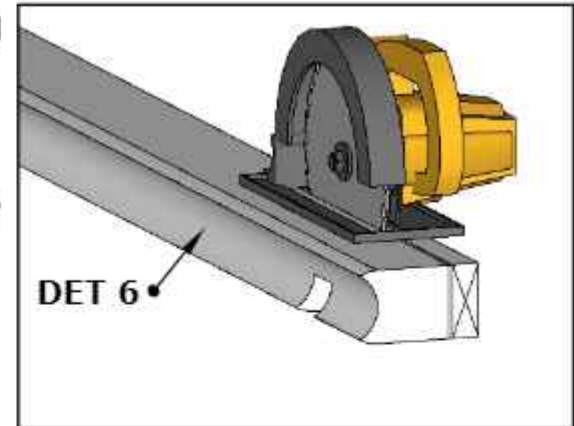
E8W Barrel Sauna 87D" x 81H"



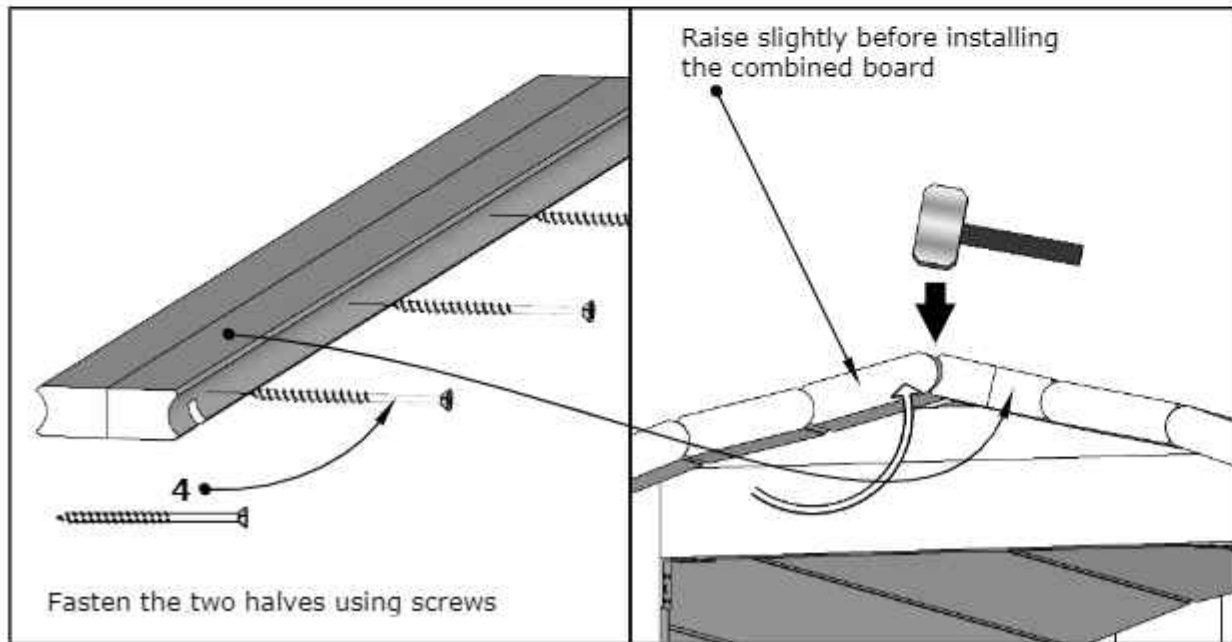
I



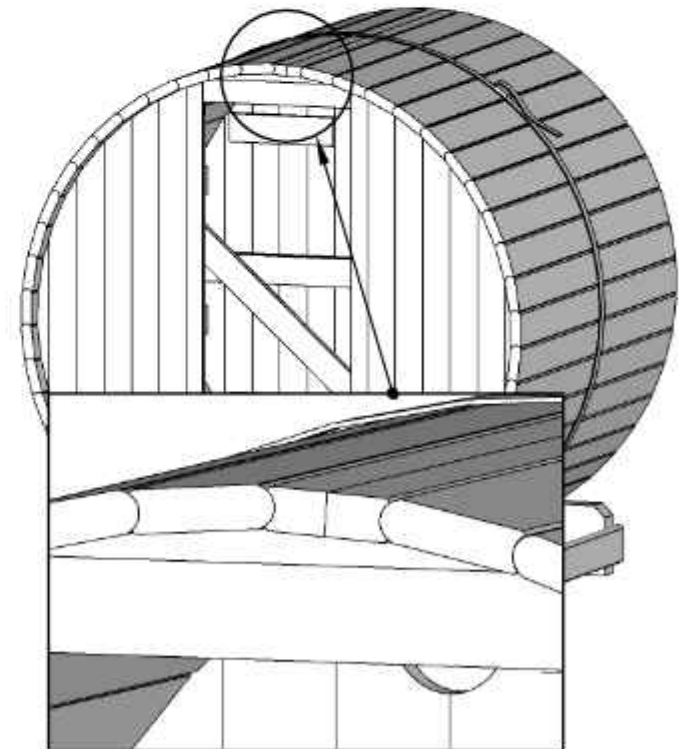
Join two boards together (as shown in diagram II) that will bridge the width of the "A" gap. It is recommended that the combined boards are approximately 1/4" wider than the gap.



If needed, trim the flat edge of the board to create the desired width.

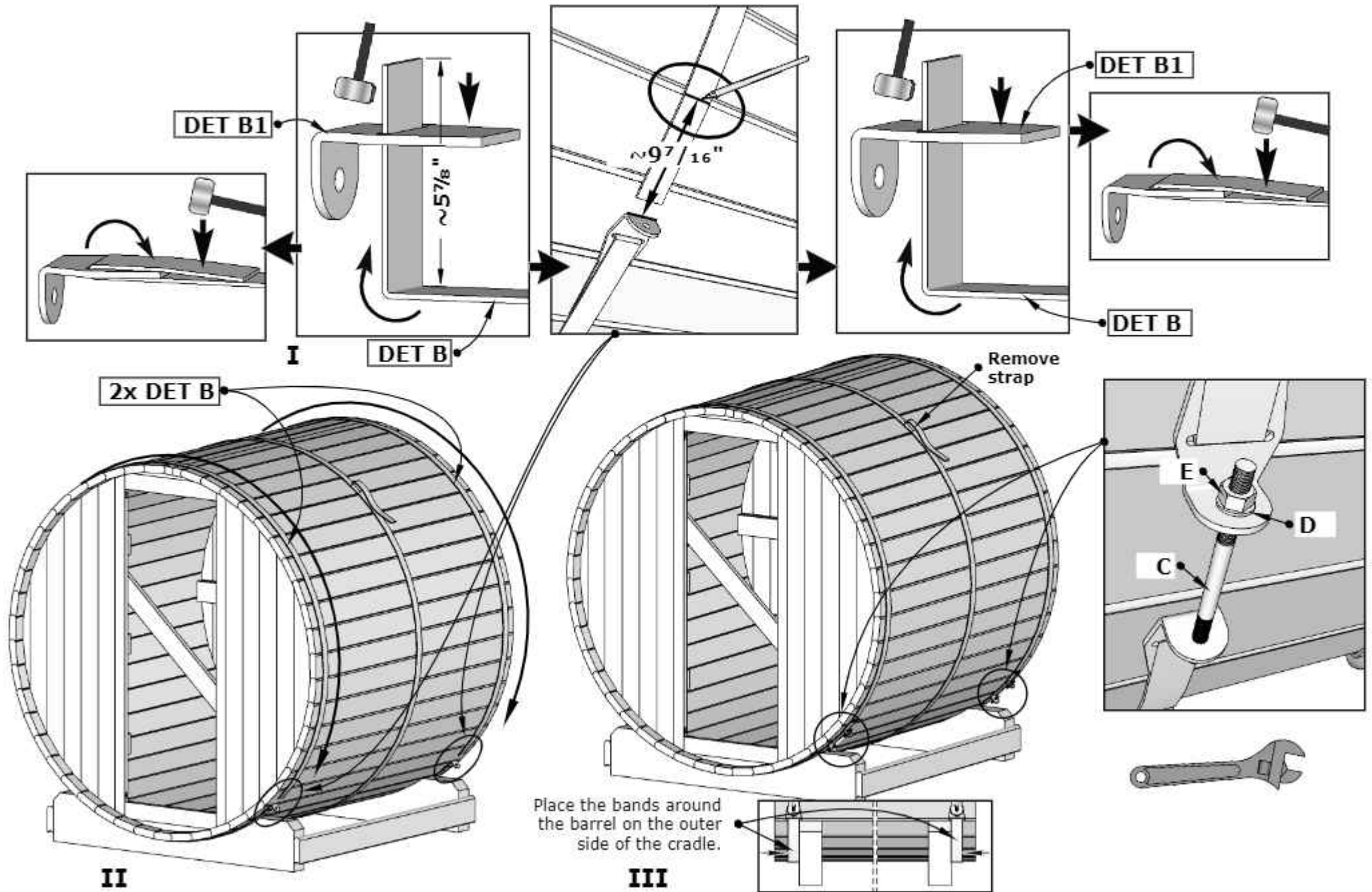


II



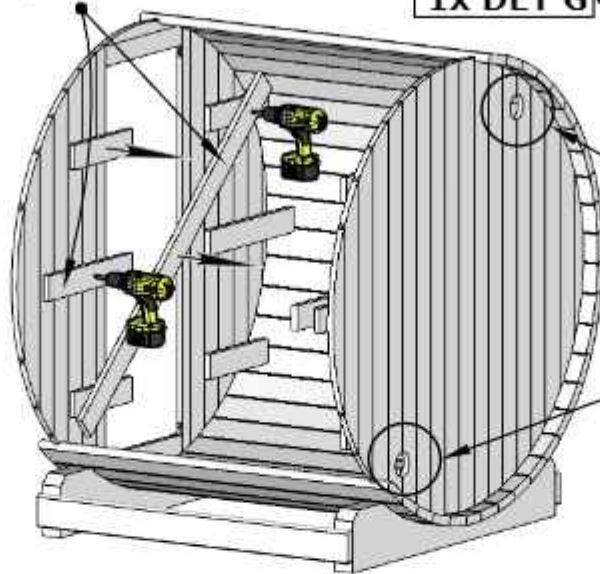
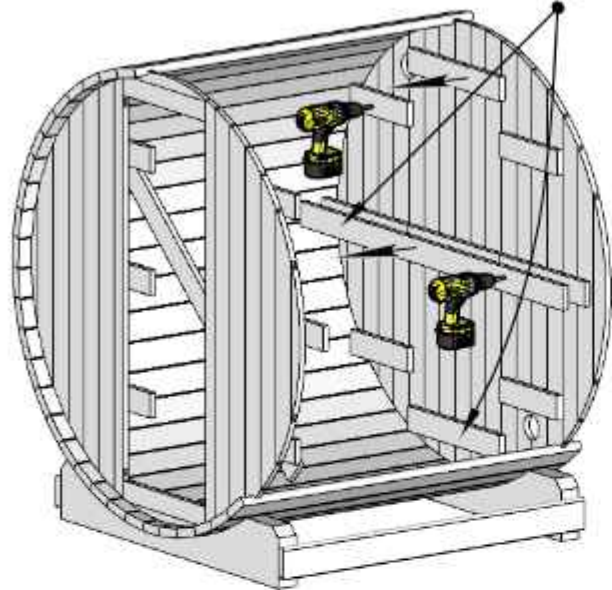
III

E8W Barrel Sauna 87D" x 81H"

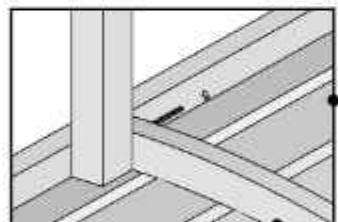
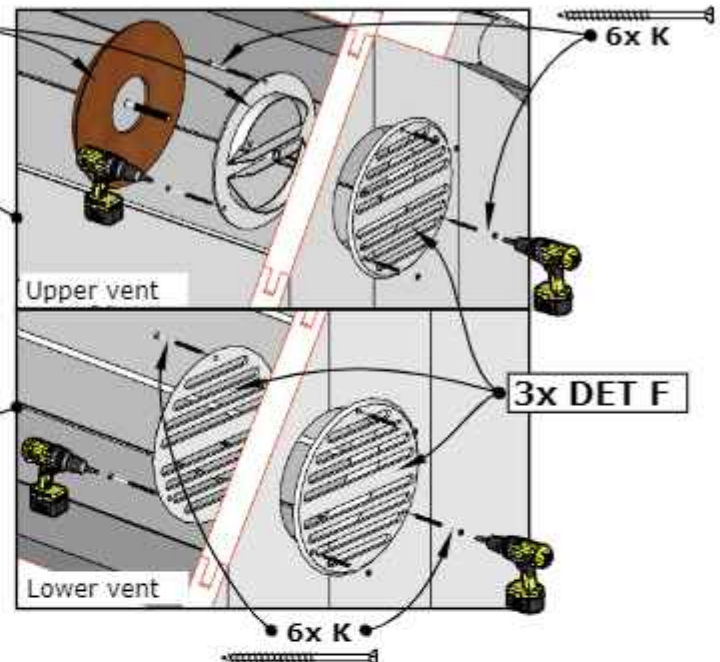


E8W Barrel Sauna 87D" x 81H"

Remove all temporary braces



1x DET G

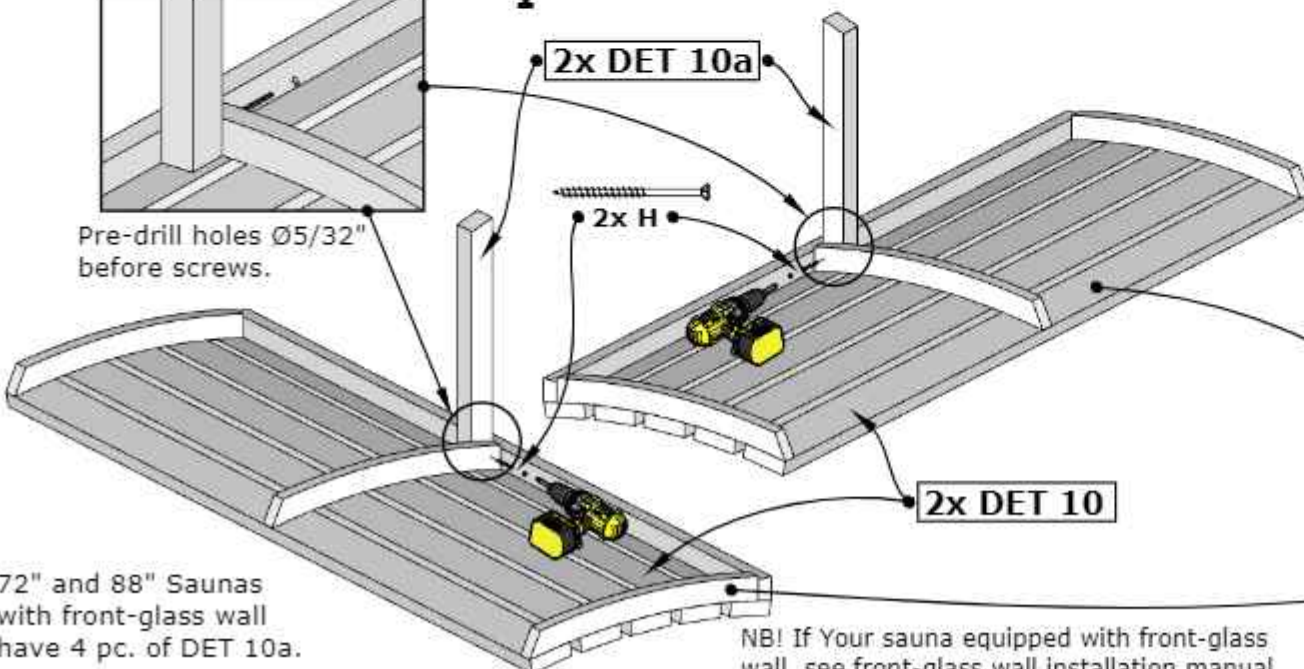


Pre-drill holes Ø5/32" before screws.

I

2x DET 10a

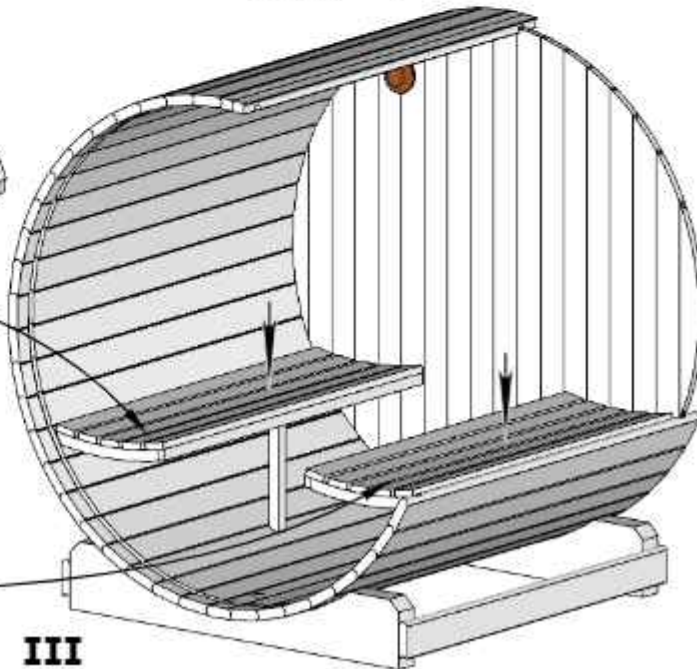
2x H



2x DET 10

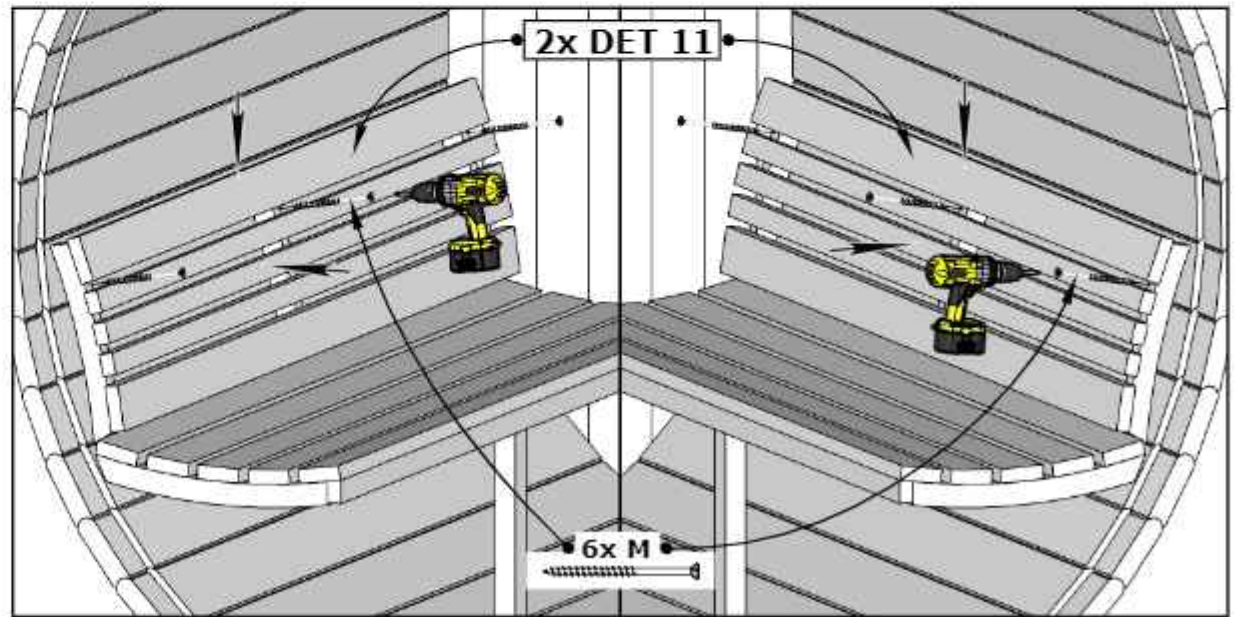
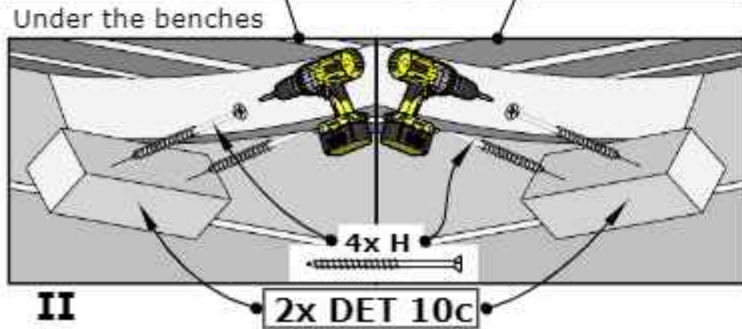
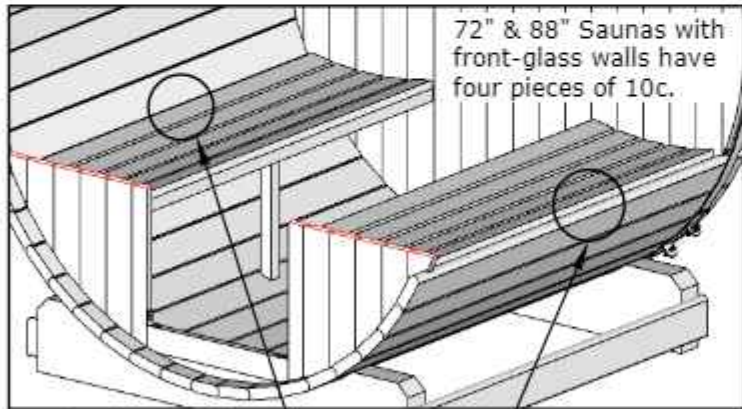
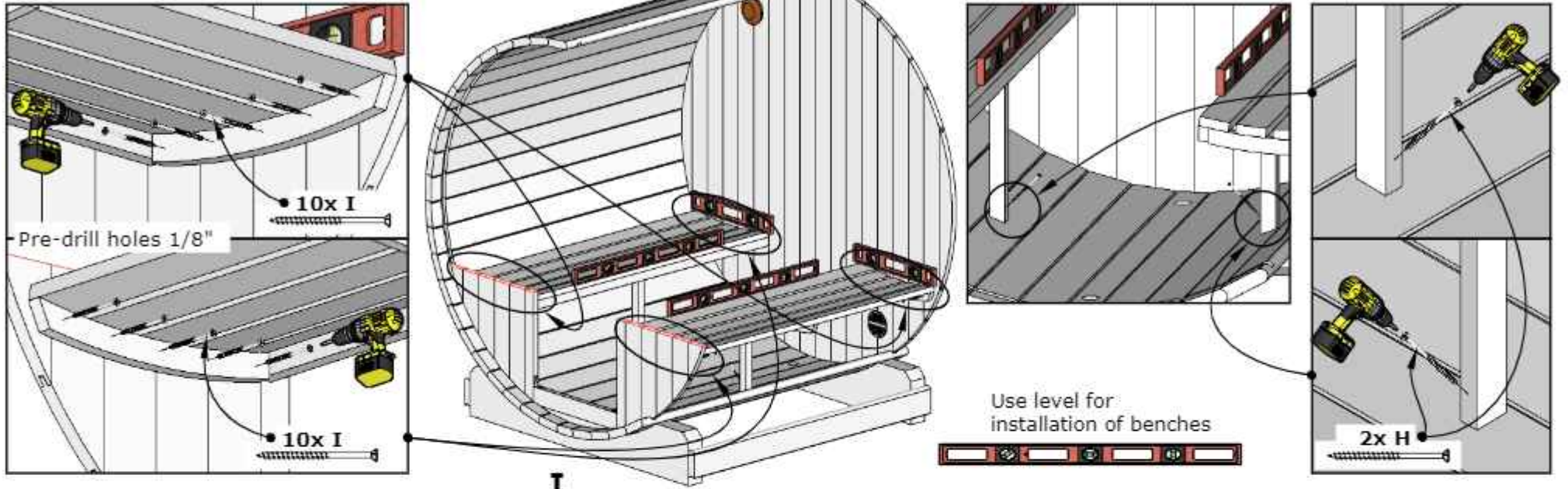
72" and 88" Saunas with front-glass wall have 4 pc. of DET 10a.

NB! If Your sauna equipped with front-glass wall, see front-glass wall installation manual for proper benches installation.

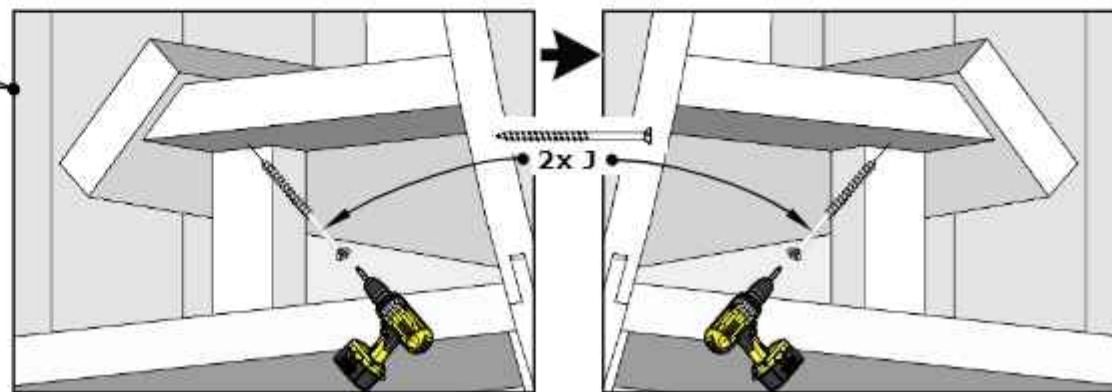
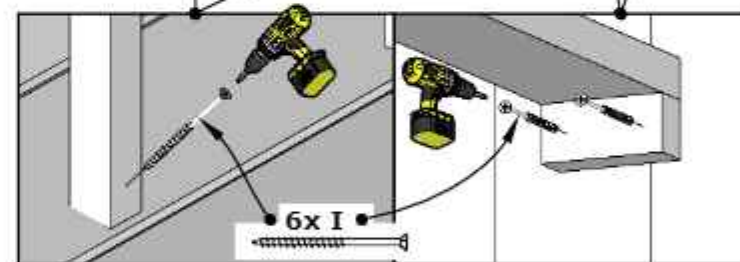
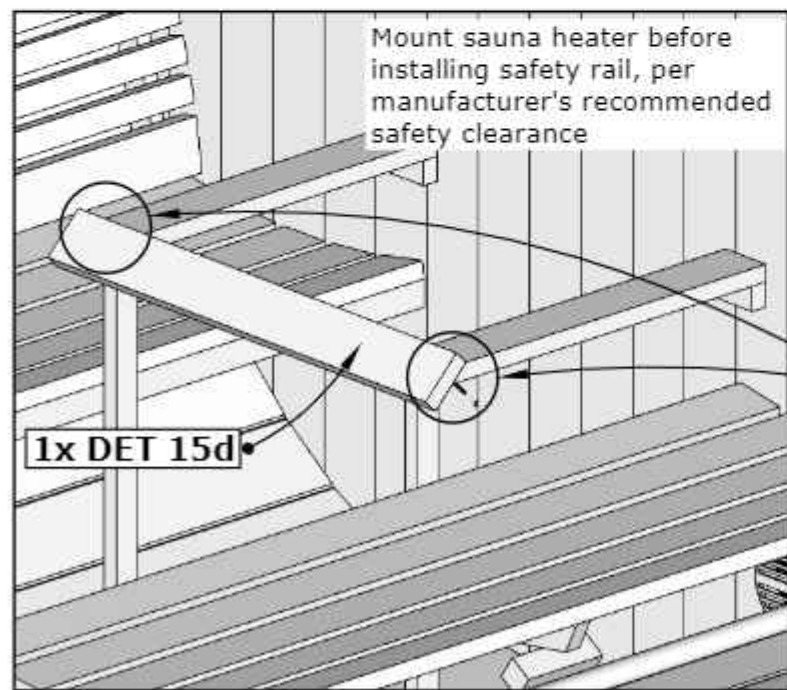
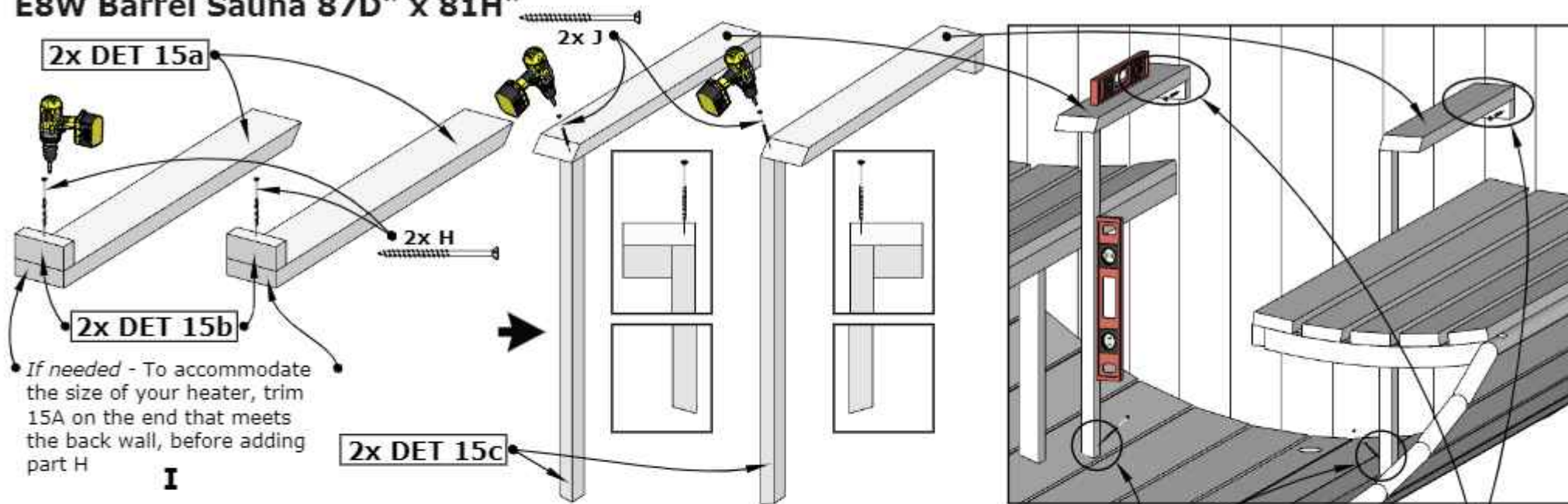


III

E8W Barrel Sauna 87D" x 81H"

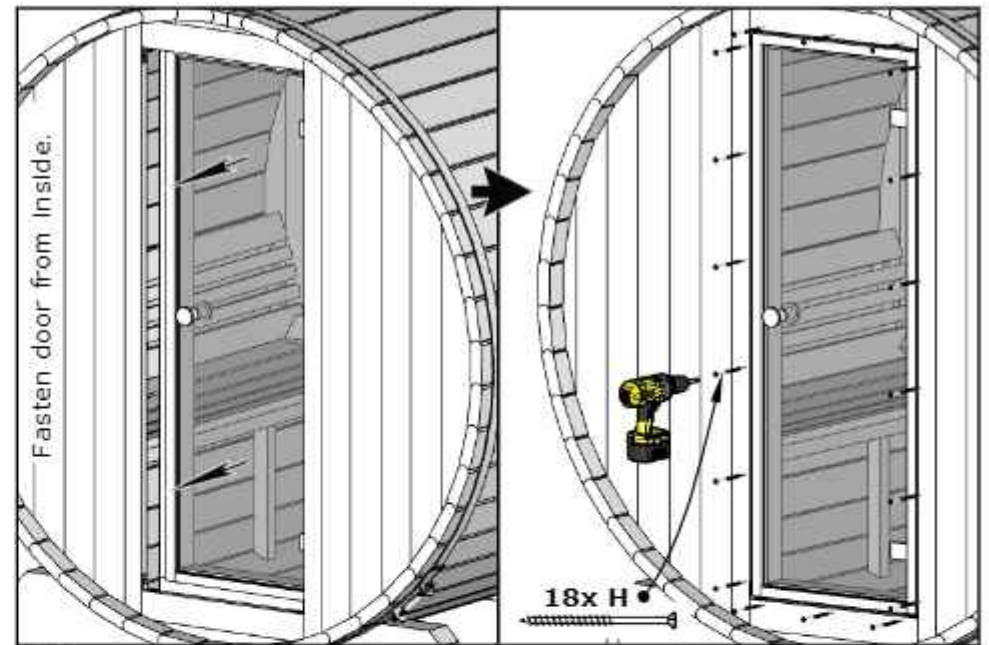
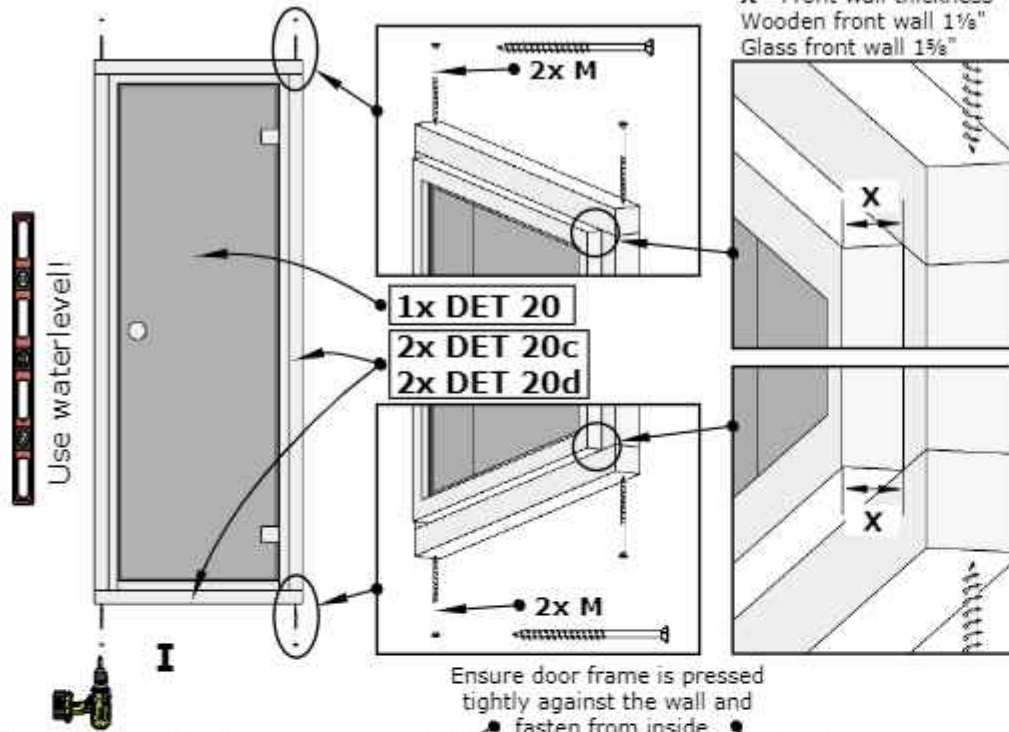


E8W Barrel Sauna 87D" x 81H"

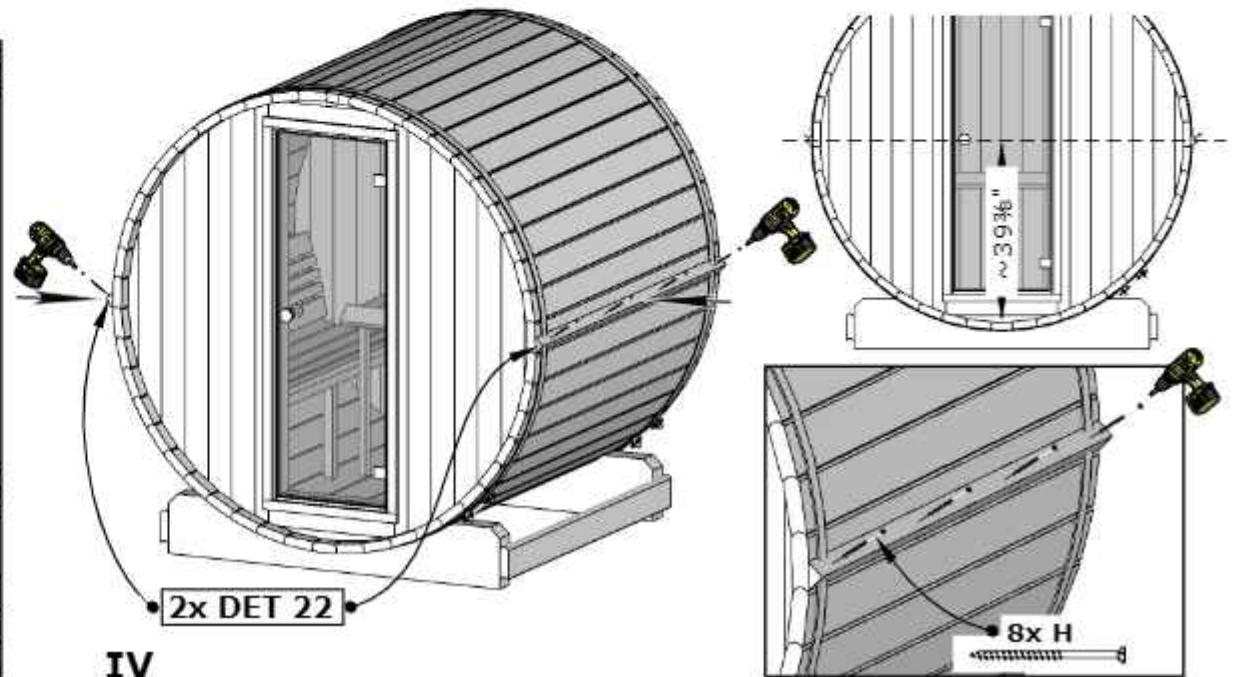
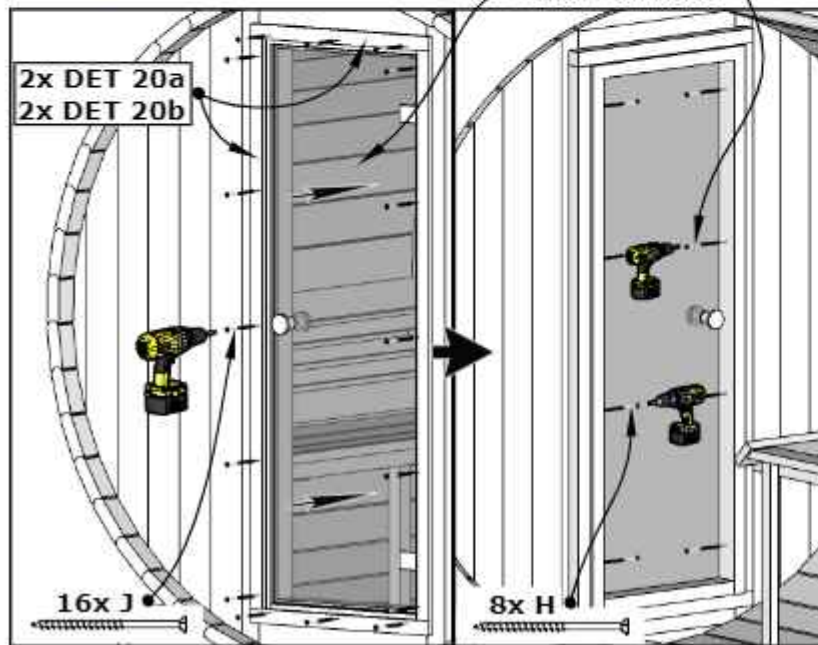


E8W Barrel Sauna 87D" x 81H"

X= Front wall thickness
 Wooden front wall 1 1/8"
 Glass front wall 1 5/8"



II

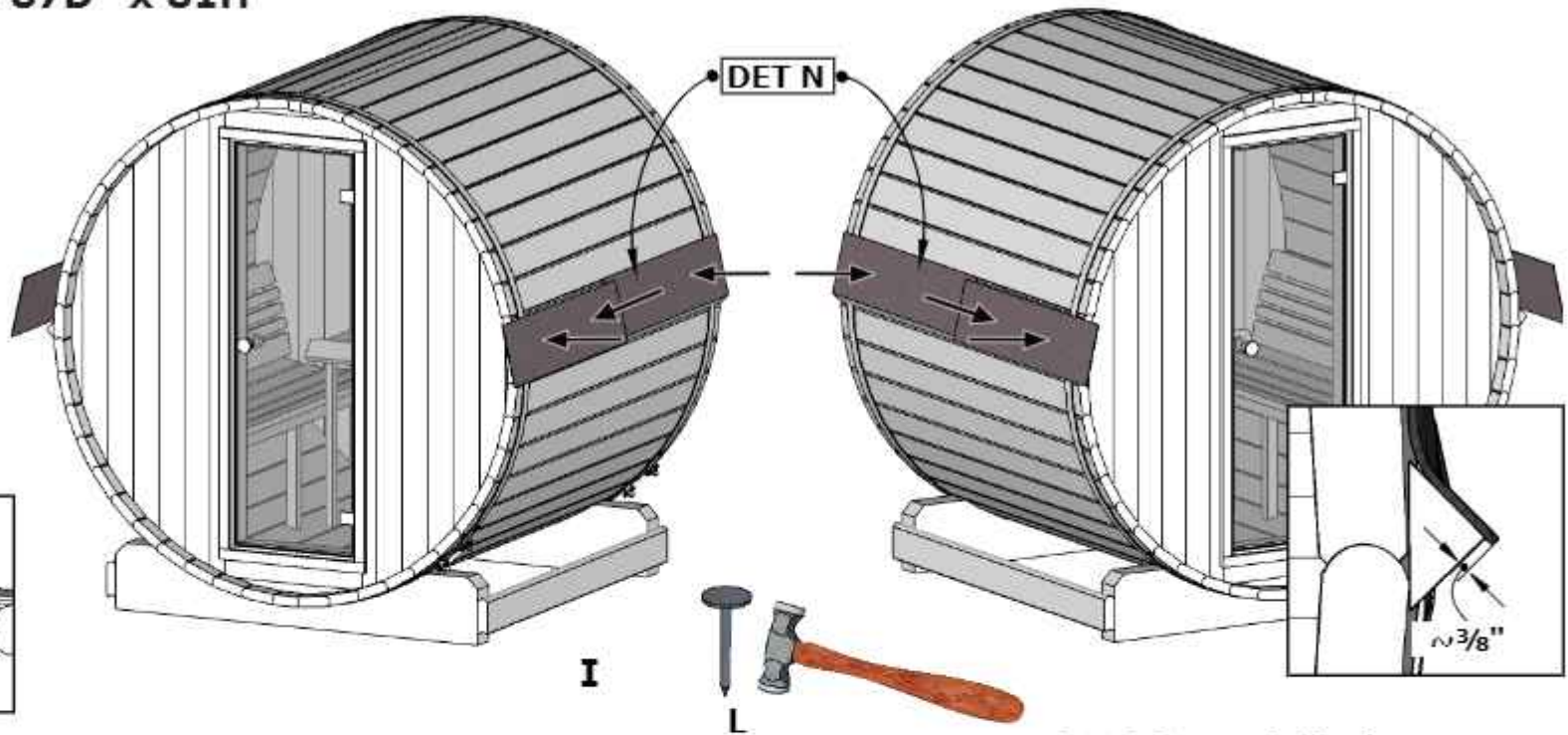


IV

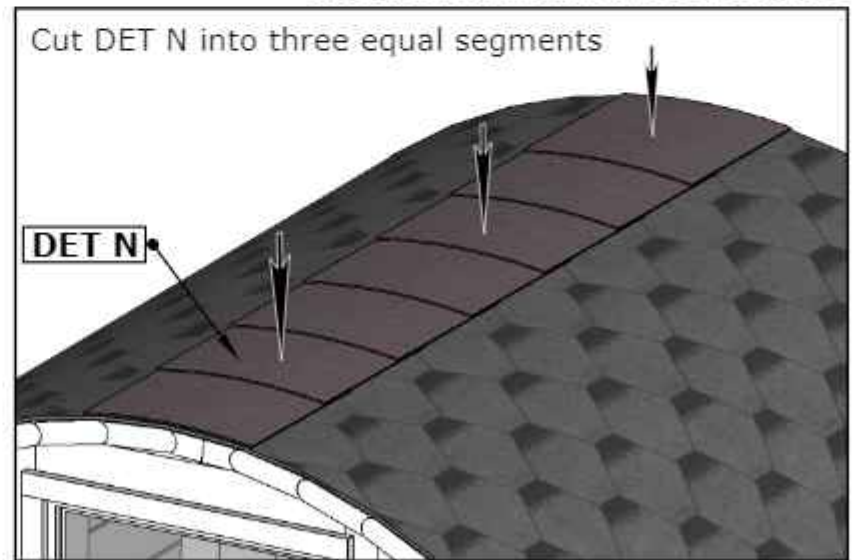
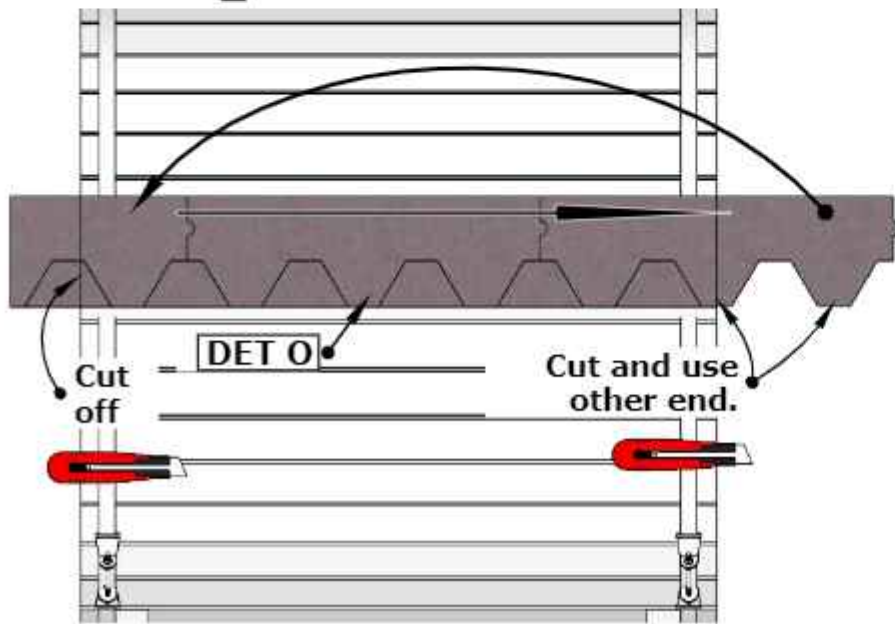
11. III

E8W Barrel Sauna 87D" x 81H"

See the installation manual inside the shingles package



Check also roof shingles installation manual inside package.



E8W Barrel Sauna 87D" x 81H"

